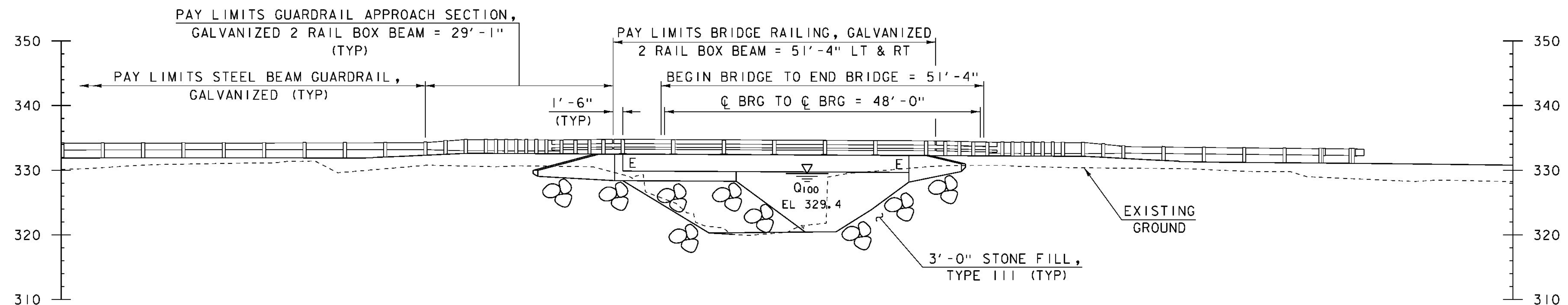


PLAN

SCALE 1" = 10'-0"
 10 0 10



ELEVATION

SCALE 1" = 10'-0"
 10 0 10

PROJECT NAME:	BRISTOL
PROJECT NUMBER:	BRF 021-1(29)
FILE NAME:	si0b094pe.dgn
PROJECT LEADER:	C. CARLSON
DESIGNED BY:	M. EVANS-MONGEON
PLAN AND ELEVATION	
PLOT DATE:	05-DEC-2014
DRAWN BY:	C. ROY
CHECKED BY:	EVANS-MONGEON
SHEET	21 OF 54