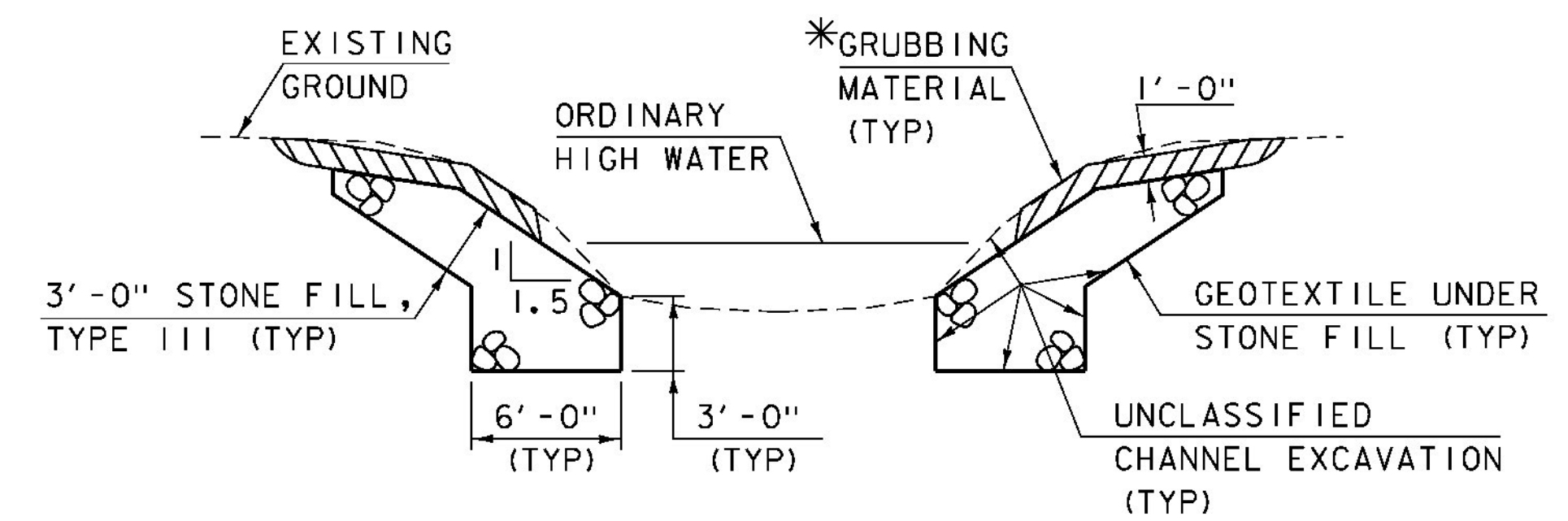


ABUTMENT EARTHWORK TYPICAL SECTION
(NOT TO SCALE)



TYPICAL CHANNEL SECTION
(NOT TO SCALE)

*GRUBBING MATERIAL SHALL NOT BE PLACED ON THE STONE FILL IN THE AREA UNDER THE BRIDGE. WHENEVER CHANNEL SLOPE INTERSECTS ROADWAY SUBBASE, GRUBBING MATERIAL SHALL BEGIN AT THE BOTTOM OF SUBBASE.

PROJECT NAME:	BRISTOL
PROJECT NUMBER:	BRF 021-1(29)
FILE NAME: si0b094typ.dgn	PLOT DATE: 04-NOV-2014
PROJECT LEADER: C. CARLSON	DRAWN BY: G. ROKES
DESIGNED BY: M. EVANS-MONGEON	CHECKED BY: G. ROY
PROJECT TYPICAL SECTIONS (2)	SHEET 4 OF 54