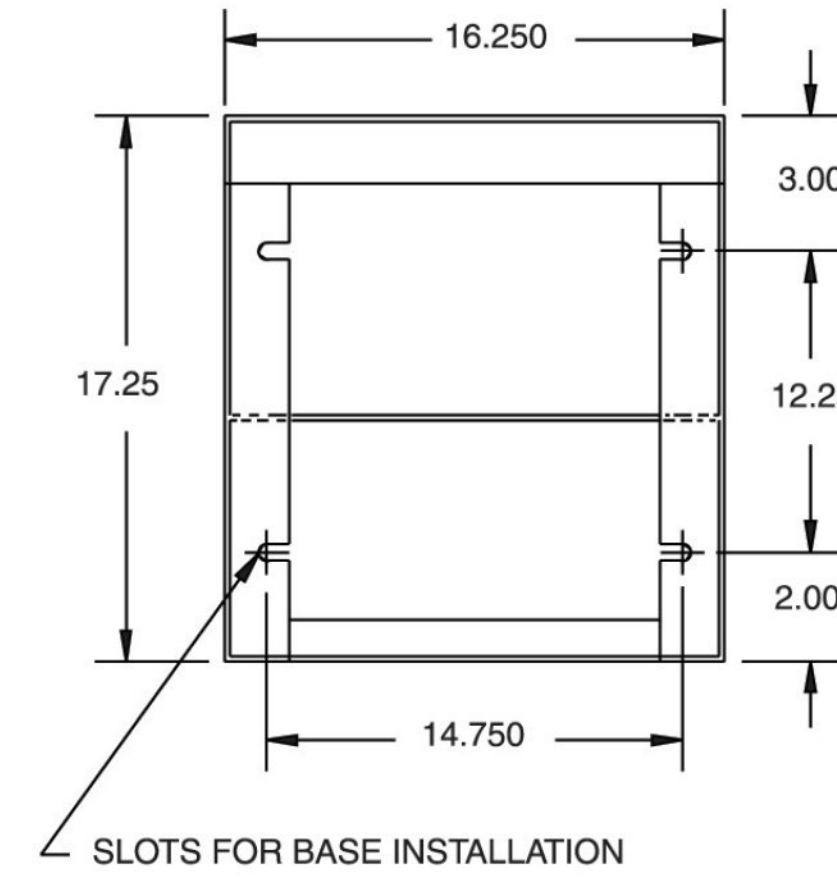
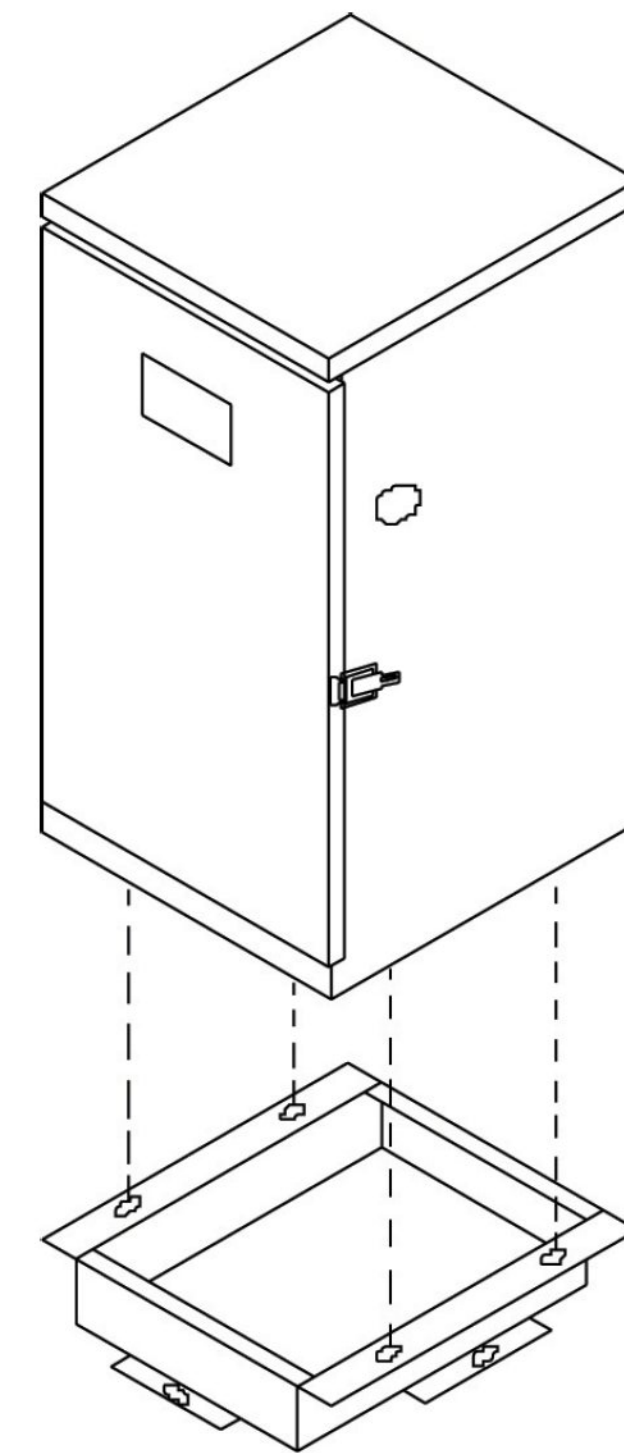
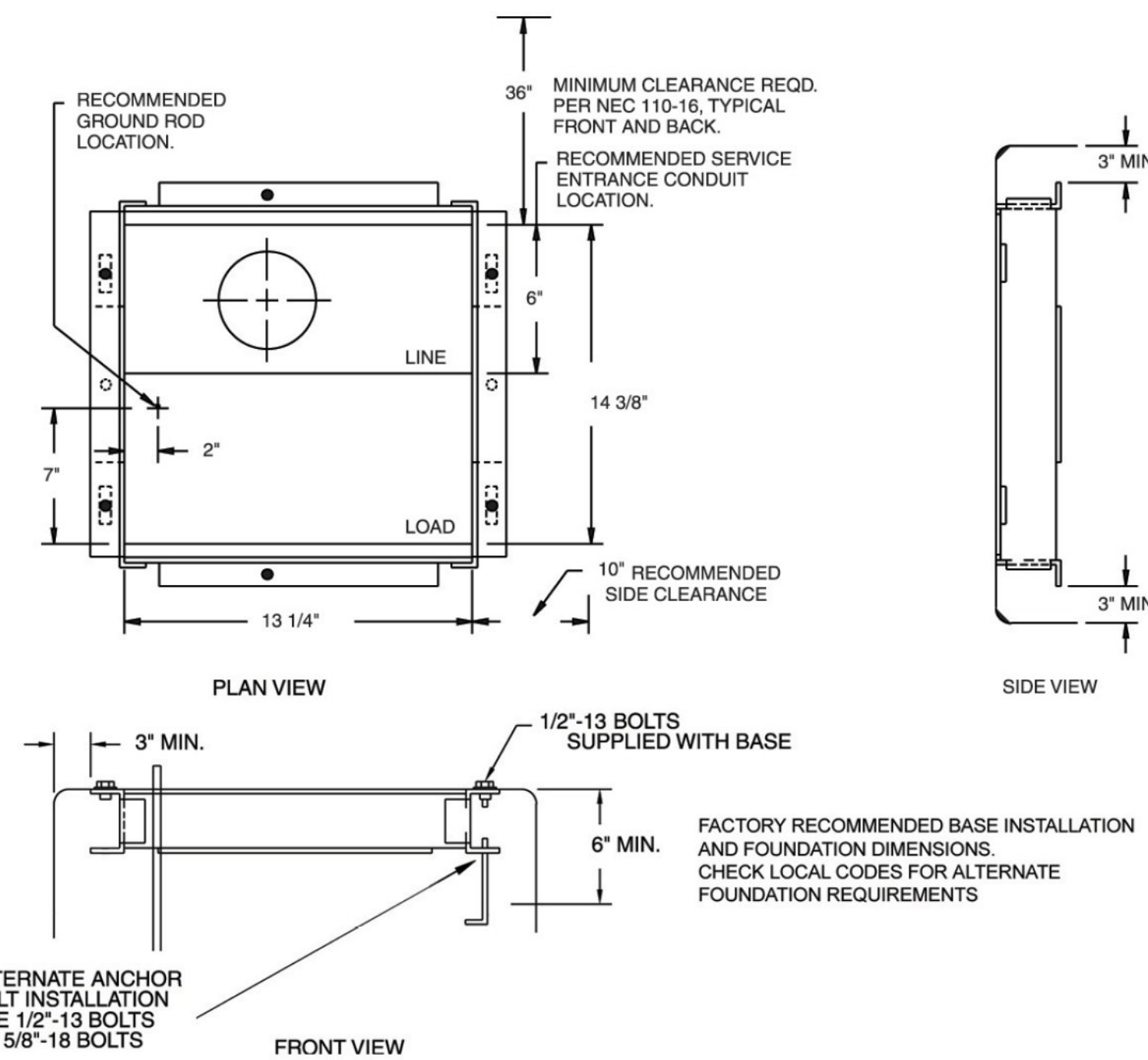


Standard Models <i>Custom Configurations also available. Consult your factory representative.</i>	Catalog No.	Amps	Voltage	Main	AIC Rating
	MEUG16-31"-M100	100	120/240	100	10,000
<i>For aluminum enclosure, order MEUG16A- For stainless steel enclosure, order MEUG16X-</i>					



BOTTOM VIEW
MOUNTING SLOT DETAIL

BASE DETAIL



Tel: 866-MY-MYERS (866-696-9377) • Fax: 909-923-1806
www.myerspowerproducts.com

SPP-0003-05-0811

Specifications are subject to change without notice.