

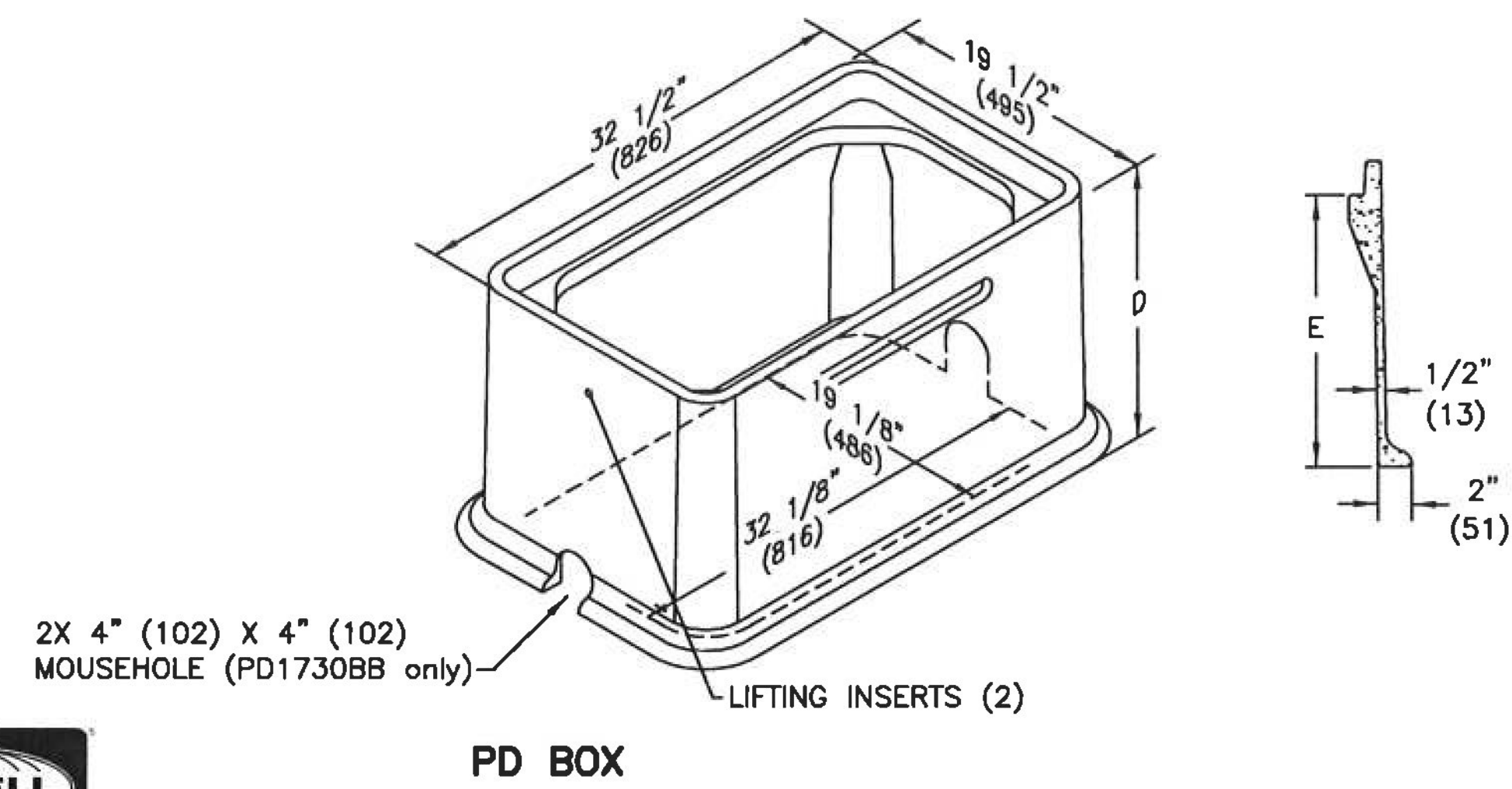
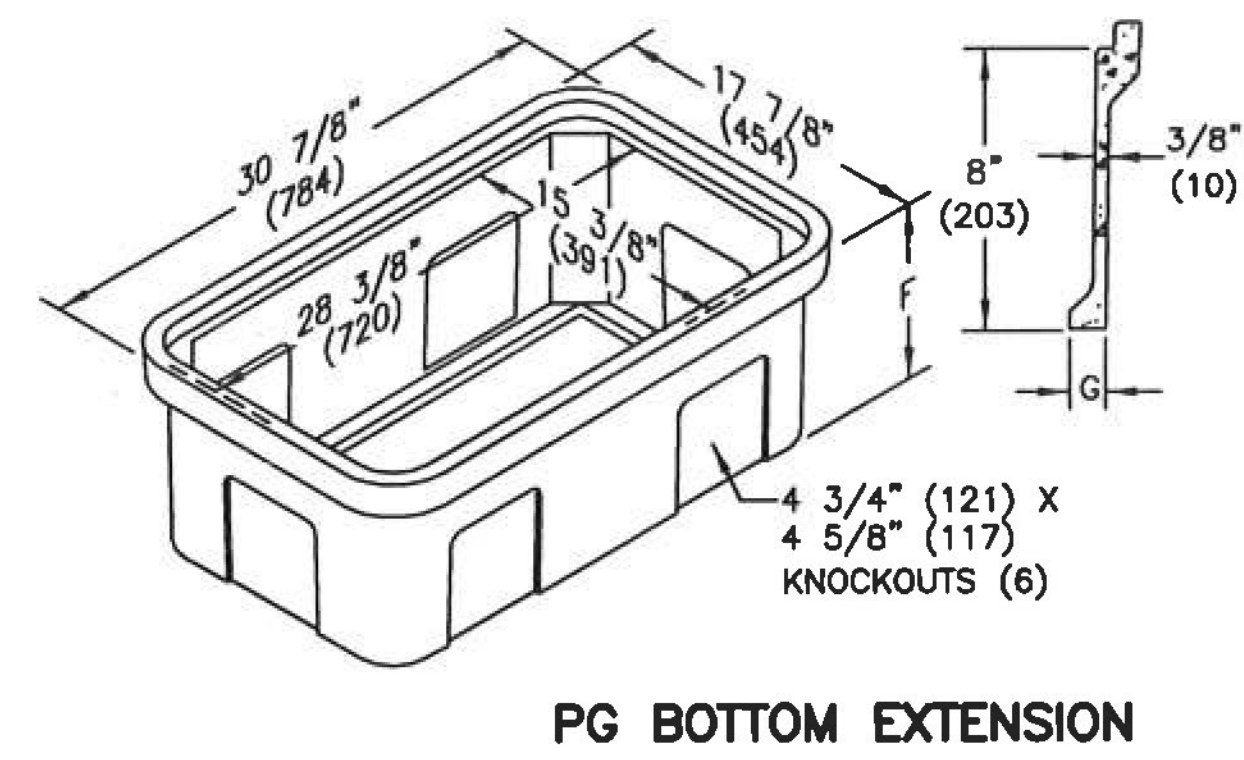
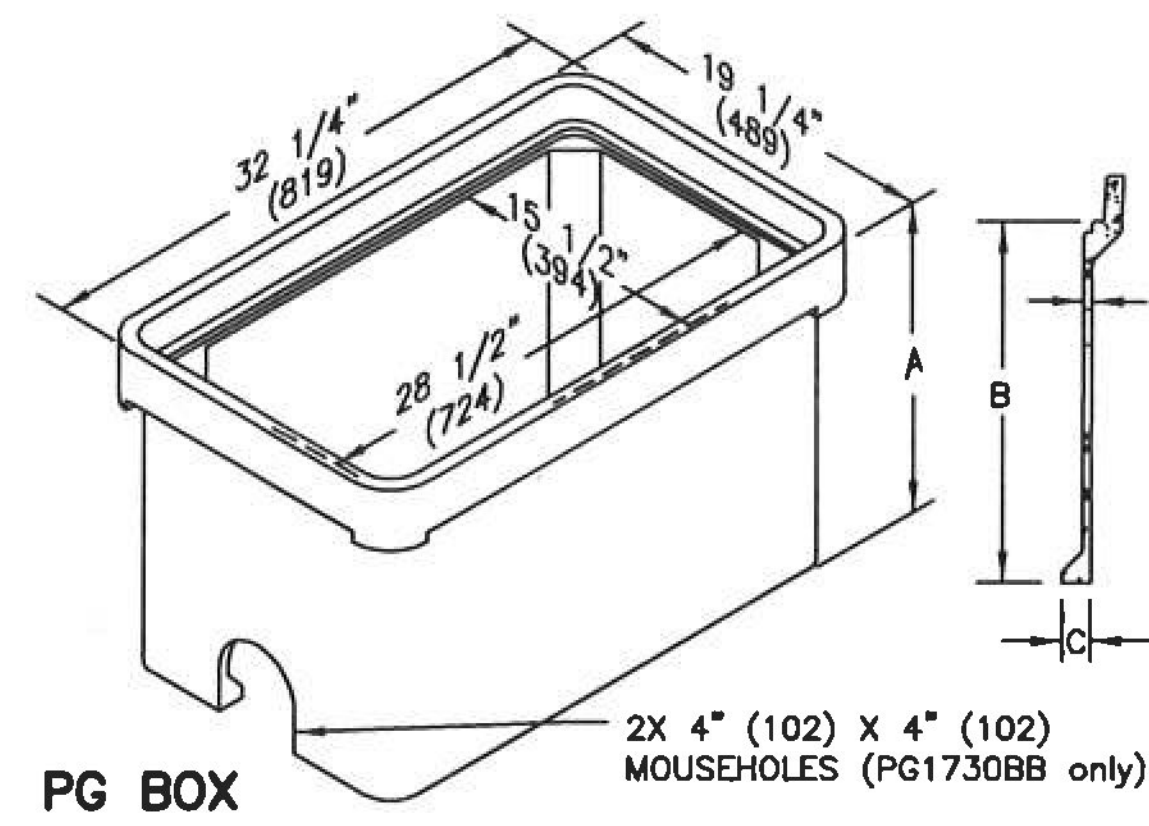
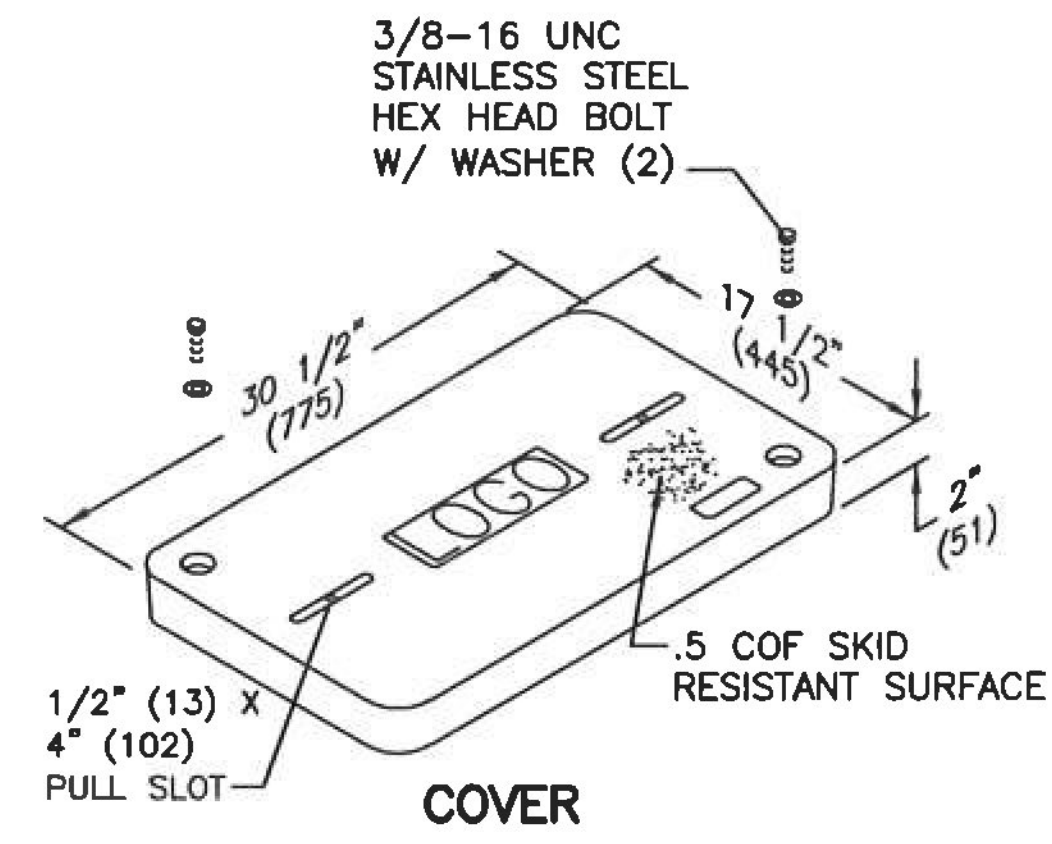
APPROVED

By Spencer Palmer at 2:05 pm, Apr 14, 2015



SPECIFICATIONS/DATA

**17" x 30" PG Style (Stackable) Assembly
and 17" x 30" PD Style Assembly**



APRIL 2008

PHOTO COURTESY OF HUBBELL