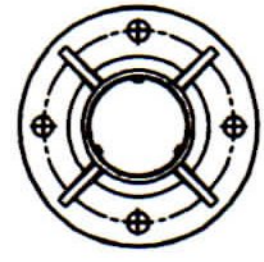
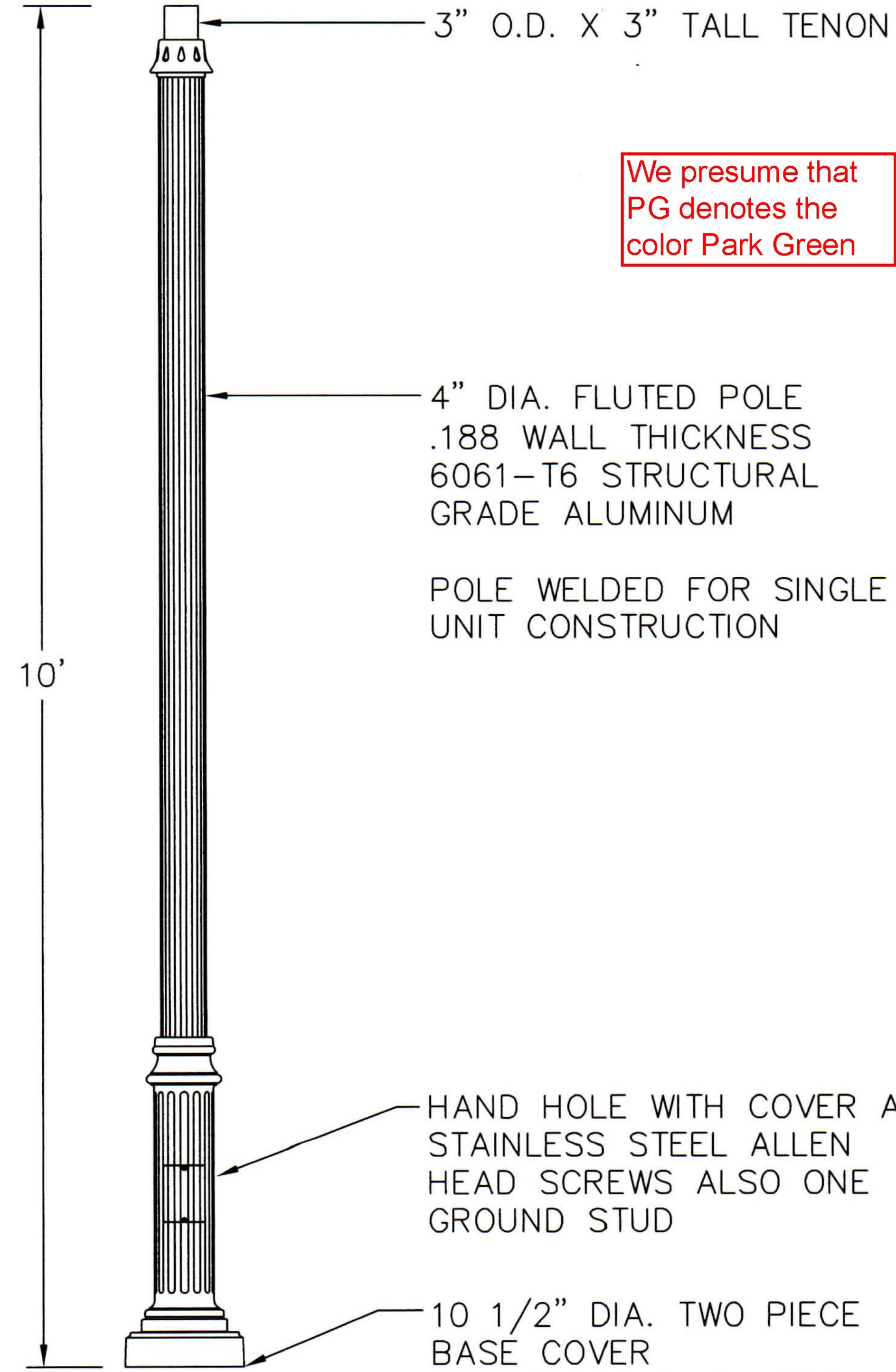


STREET SIDE



HAND HOLE

**APPROVED**



3" O.D. X 3" TALL TENON

4" DIA. FLUTED POLE  
.188 WALL THICKNESS  
6061-T6 STRUCTURAL  
GRADE ALUMINUM

POLE WELDED FOR SINGLE  
UNIT CONSTRUCTION

HAND HOLE WITH COVER AND  
STAINLESS STEEL ALLEN  
HEAD SCREWS ALSO ONE  
GROUND STUD

10 1/2" DIA. TWO PIECE  
BASE COVER  
.750 FLOOR THICKNESS  
FOUR ANCHOR BOLTS

We presume that  
PG denotes the  
color Park Green

REV	REVISIONS	DATE	RVSD	BRISTOL, VT	4510FP4.188/PG TYPE: A	POLE HEIGHTS HAVE A TOLERANCE OF + OR - 2"	DRAWING NUMBER SC22325
A	ORIGINAL	10-3-14					

DRAWN LMG  
SCALE 3/4" = 1'

