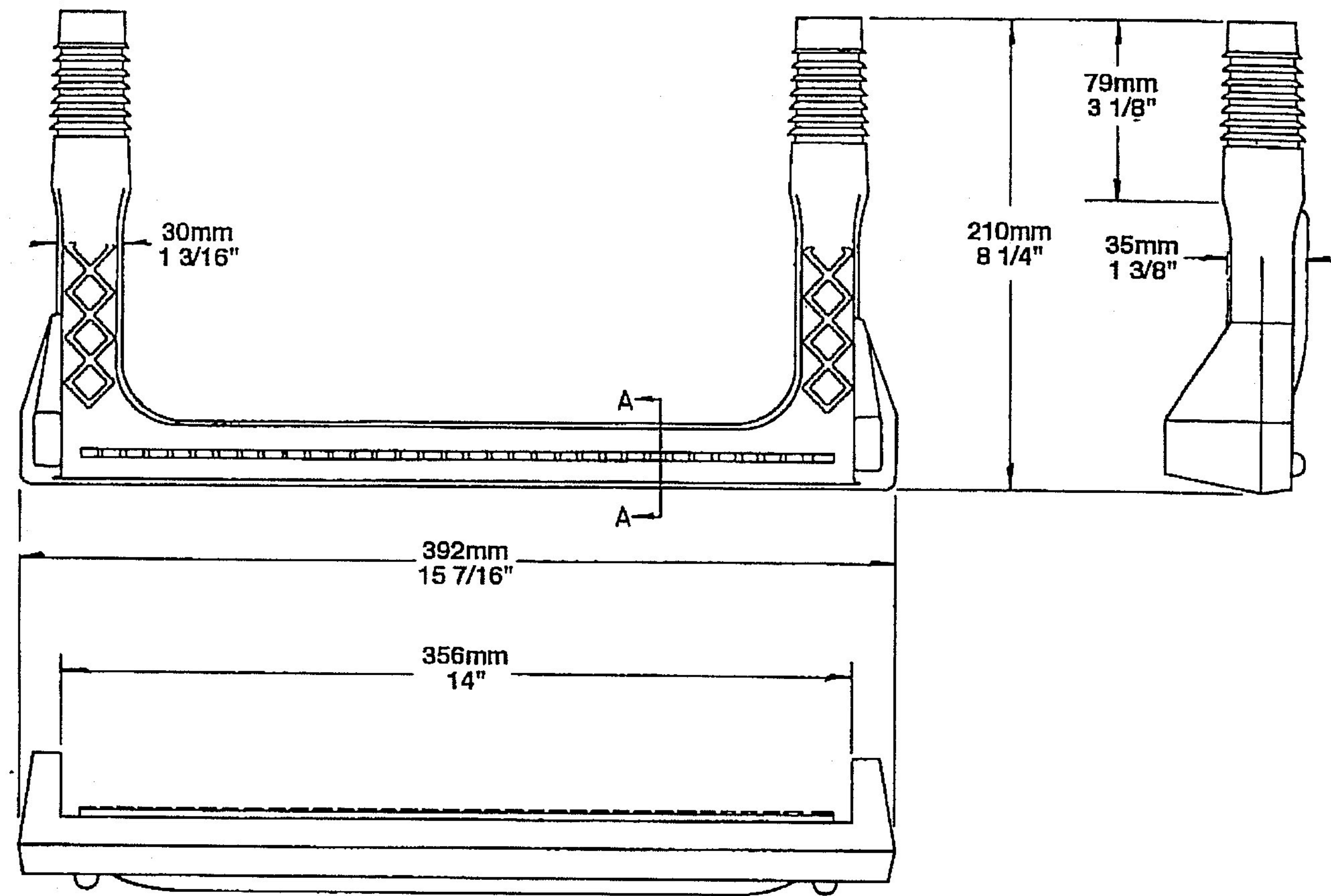


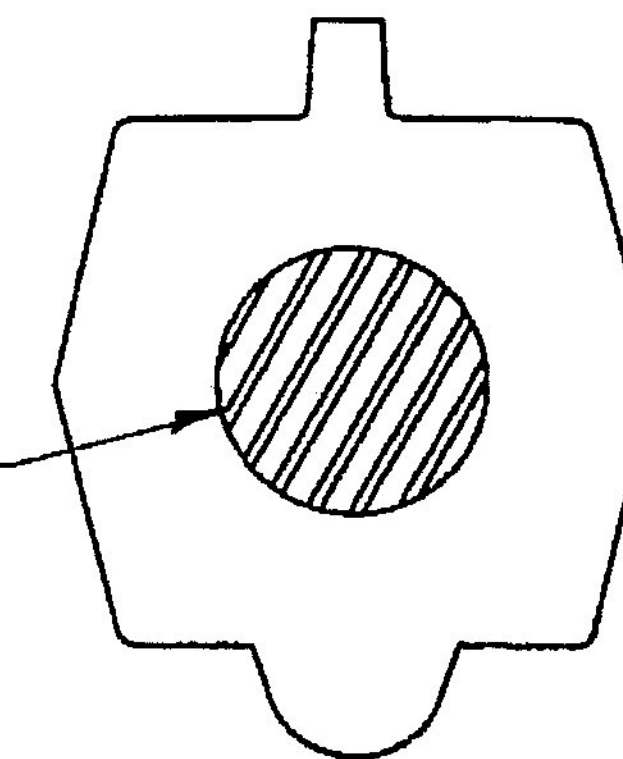
PS2-PFSL

Manhole Step

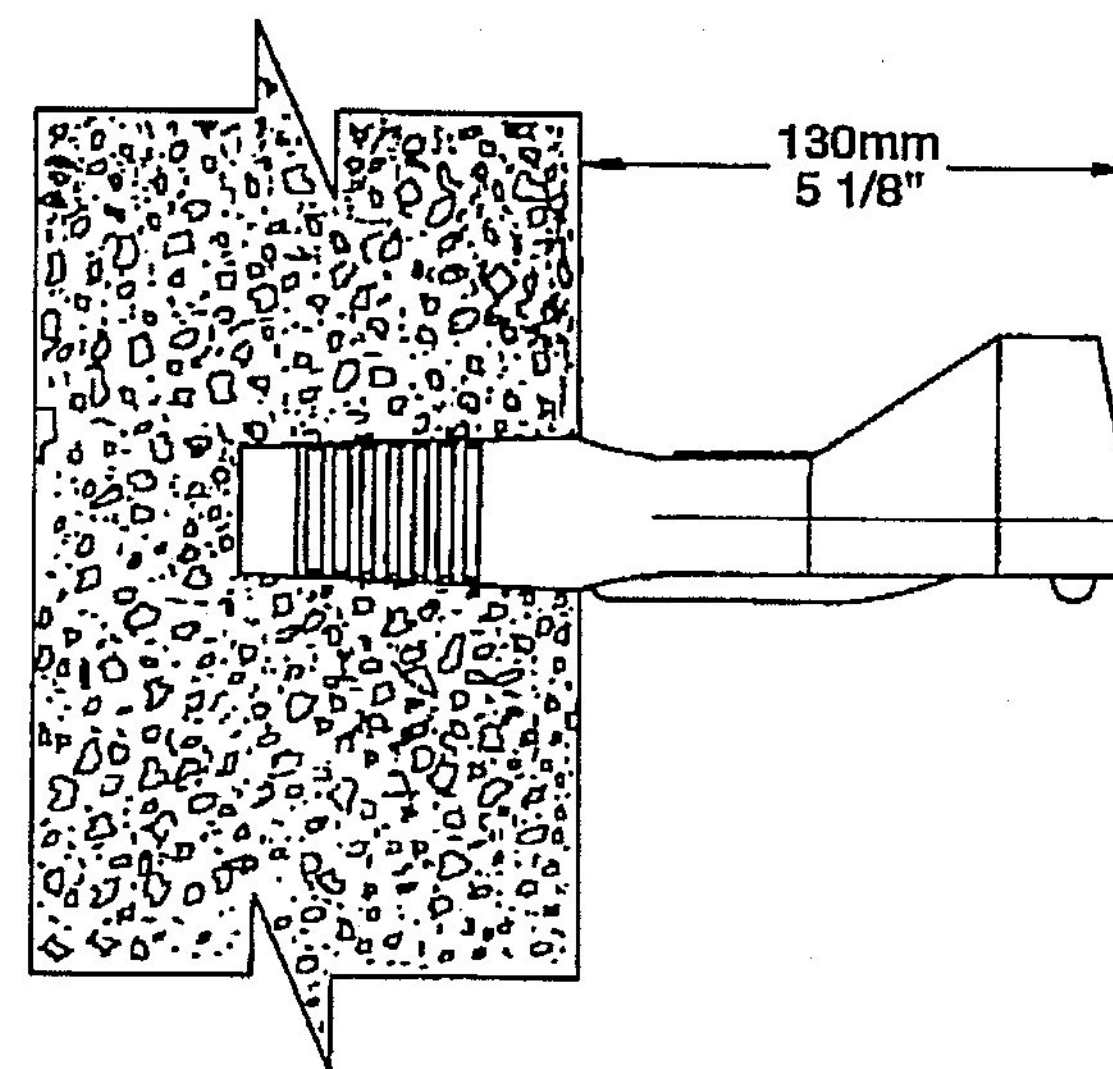


**Copolymer Polypropylene Plastic**

13mm  
1/2" GRADE 60 STEEL REINFORCEMENT

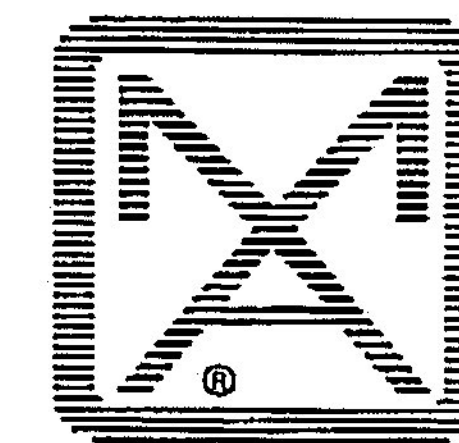


SECTION-A



12" o.c.

**M. A. INDUSTRIES, INC.**



P.O. Box 2322, 303 Dividend Dr. • Peachtree City, GA 30269 • Phone: (770) 487-7761 • Molding Sales Fax: (770) 487-1482 • Corporate Fax: (770) 631-4679