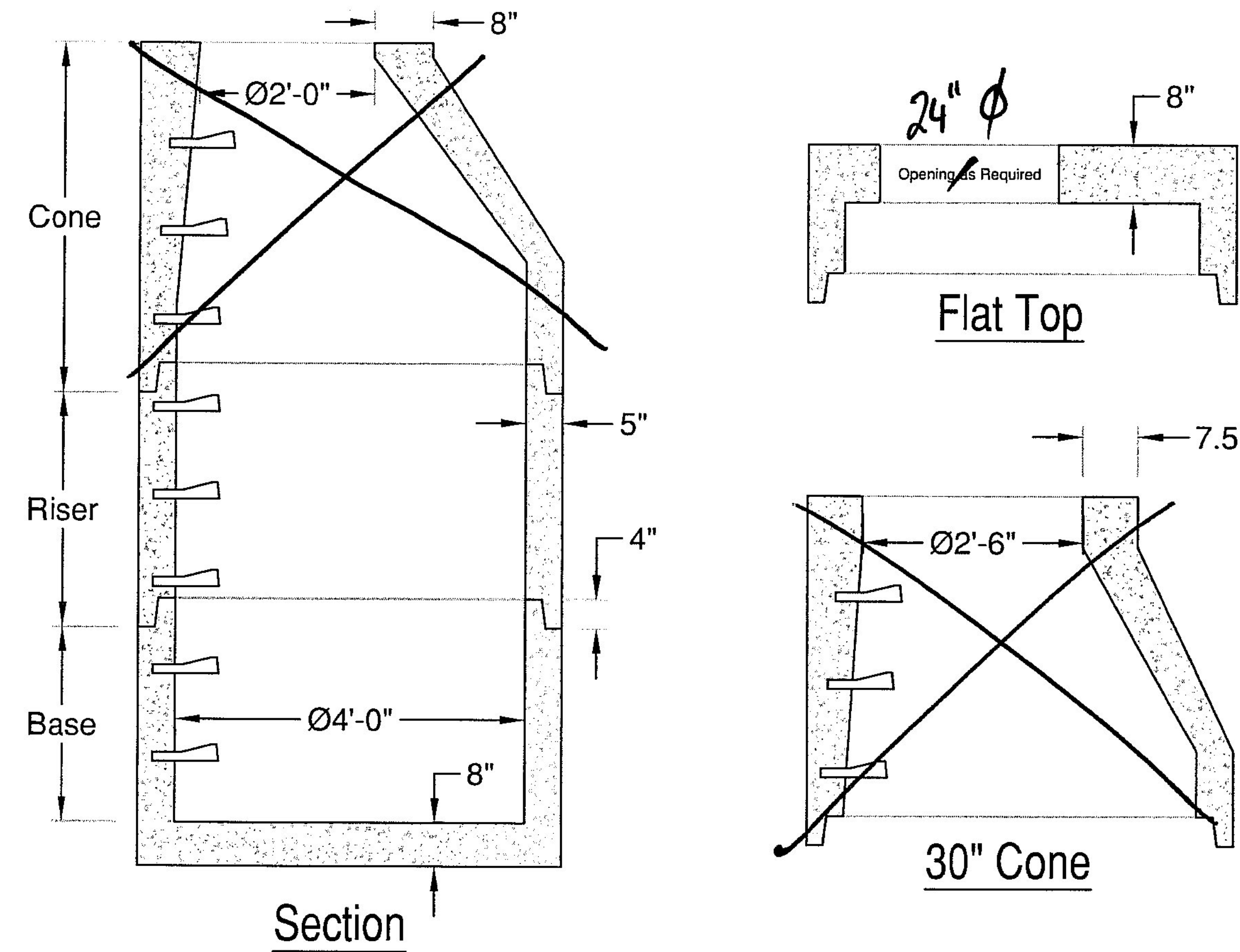


# 48" Diameter Manhole

94 Gal. / Vertical ft.



### FLAT TOP SECTION

Height	Item #	Weight
1'-0"	MH48-12FT	1,650 lbs
1'-6"	MH48-18FT	2,080 lbs

Standard Heights Shown - Other Heights Available

### RISER SECTION

Height	Item #	Weight
1'-0"	MH48-12R	860 lbs
2'-0"	MH48-24R	1,710 lbs
3'-0"	MH48-36R	2,570 lbs
4'-0"	MH48-48R	3,420 lbs

Standard Heights Shown - Other Heights Available

### BASE SECTION

Height	Item #	Weight
2'-0"	MH48-24B	3,070 lbs
3'-0"	MH48-36B	3,880 lbs
4'-0"	MH48-48B	4,720 lbs
5'-0"	MH48-60B	5,560 lbs
6'-0"	MH48-72B	6,400 lbs

Standard Heights Shown - Other Heights Available

### 24" Cone

Height	Item #	Weight
3'-0"	MH48-24C36	2,680 lbs
3'-6"	MH48-24C42	3,120 lbs
4'-0"	MH48-24C48	3,560 lbs
4'-6"	MH48-24C54	4,000 lbs
5'-0"	MH48-24C60	4,440 lbs

### 30" Cone

Height	Item #	Weight
3'-0"	MH48-30C36	2,860 lbs
3'-6"	MH48-30C42	3,100 lbs
4'-0"	MH48-30C48	3,540 lbs
5'-0"	MH48-30C60	4,420 lbs

### SPECIFICATIONS:

- Concrete Minimum Strength 5000psi @ 28 days
- Joints sealed with Butyl sealant
- Monolithic Construction
- Meets ASTM C478
- H-20 Loading
- Weights Subject to Variation



**PRECAST CONCRETE PRODUCTS**  
 78 PRECAST ROAD MILTON, VT 05468 • 802.893.2401  
 TOLL FREE 1.888.299.2401 FAX 802.893.1542