

* CUSTOMER EQUIPMENT AREA 2.0' X 2.0' X 0.8'
FRONT VIEW
LESS DOOR, DEAD FRONT, AND COVER
SIDE VIEW

FEATURES

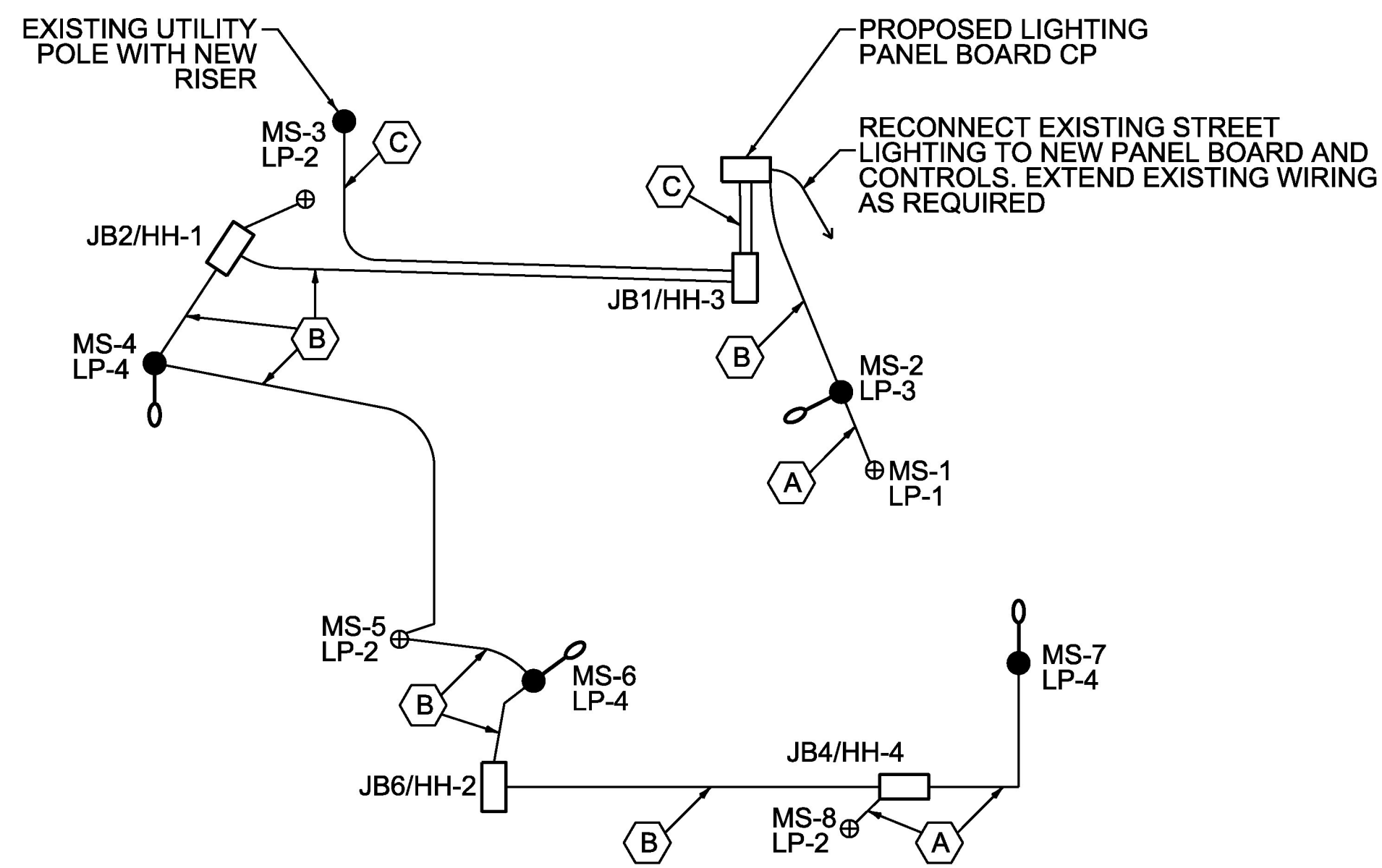
- METER SOCKET AND UTILITY SERVICE ENTRANCE SECTION SHALL BE PER CENTRAL VERMONT PUBLIC SERVICE REQUIREMENTS
- METER SOCKET 4 JAW 100 AMPS OR 200 AMPS.
- METER SOCKET WITH TEST BLOCKS.
- METER SOCKET WITH TEST BYPASS
- STANDARD VOLTAGE 120/240V SINGLE PHASE, 10 3W.
- 18 CIRCUIT COPPER BUSSED INTERIOR. FOR BOLT-ON CIRCUIT BREAKERS SEE PANEL SCHEDULE.
- MAIN BREAKER 100 AMP 22 KAIC.
- UTILITY LANDING LUGS 100 AMPS.
- UTILITY TEST SECTION.
- ALL FACTORY WIRING IS 600 VOLT RATED COPPER.
- HINGED DOOR & DEAD FRONT.
- (1) 8 POLE DEFINITE PURPOSE CONTRACTOR & W60A CONTRACTOR(MATCH EXISTING SQUARE D)
- (1) TIME CLOCK
- (1) PHOTO ELECTRIC CONTROL
- (1) ON/OFF/ AUTO LIGHTING CONTROL SWITCH
- (2) 12 POLE TERMINAL BLOCK FOR CONNECTION TO UNDERGROUND CONDUCTORS
- ALL WORK TO COMPLETE CONSTRUCTION OF THIS CABINET SHALL BE PAID AS ITEM 900.645 - SPECIAL PROVISION (ELECTRIC POWER BOARD AND CABINET)

SPECIFICATIONS

- 12 GAUGE ZINC COATED STEEL CONSTRUCTION. HOOD AND COVERS 14 GAUGE.
- RAINPROOF TYPE 3R ENCLOSURE.
- PARK GREEN POWDER COAT FINISH IN ACCORDANCE WITH ASTM B-117.
- MEETS EUSERC 308 REQUIREMENTS.
- VANDAL- RESISTANT ENCLOSURE WITH SIDE -HINGED DOOR AND DEAD FRONT.
- ALL FACTORY WIRING 600 VOLT RATED COPPER.
- LISTED BY UNDERWRITERS LABORATORIES, INC.
- PAD MOUNT BASE FOR CONCRETE FOUNDATION.

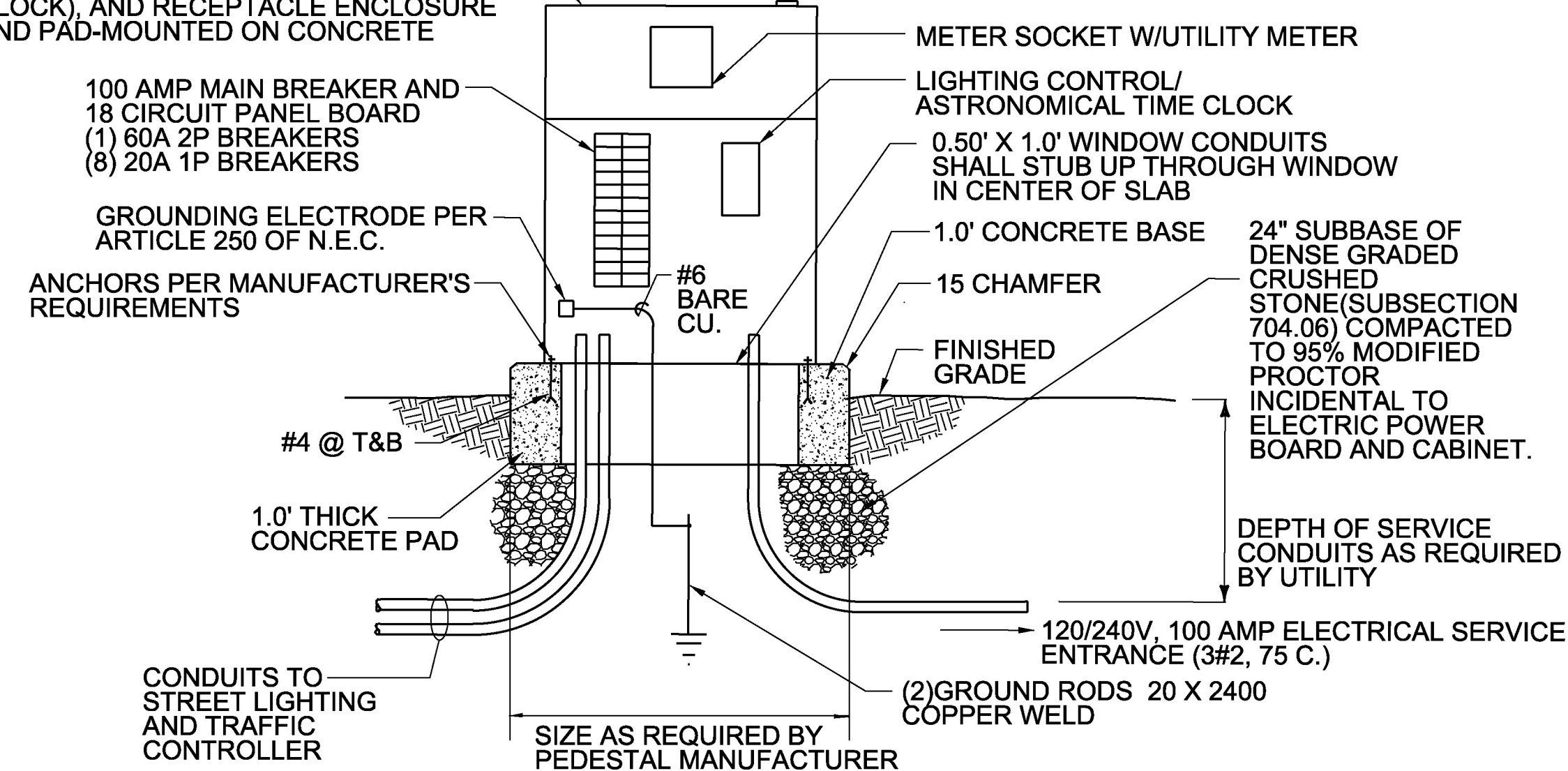
ELECTRIC POWER BOARD AND CABINET

NOT TO SCALE



LINE DIAGRAM
NOT TO SCALE

SERVICE PEDESTAL SHALL HAVE RAINPROOF TYPE 3R PARK GREEN POWDER COAT FINISHED ALUMINUM ENCLOSURE AND VANDAL- RESISTANT HINGED DOOR AND INCLUDE METER, PANEL BOARD, TEST SWITCH, LIGHTING CONTROLLER (WITH ASTRONOMICAL TIME CLOCK), AND RECEPTACLE ENCLOSURE SHALL BE U.L. LISTED AND PAD-MOUNTED ON CONCRETE FOUNDATION



ELECTRIC SERVICE PEDESTAL
NOT TO SCALE

CONDUIT & CONDUCTOR SCHEDULE				
KEY	CONDUIT SIZE	CONDUCTORS		
		FOR FIXTURES	FOR RECEPTACLES	FOR GROUND
A	2"	2#10		1#10G
B	2"	4#10		1#10G
C	2"	3#2		1#6G
E	2"	500 lb PULL CORD		1#6G

- GENERAL NOTES:**
- MAXIMUM OF 270° IN TOTAL BENDS PERMITTED IN SINGLE RUN OF CONDUIT.
 - LIGHTS SHALL BE FUSED AT BASE WITH Y-TYPE FUSE KIT. WITH WATERPROOF INSULATED SEAL "FLOOD SEAL". SIZE OF SEAL SHALL MATCH WIRE AND HAVE 1 10AMP FUSE.
 - CIRCUIT CONDUCTORS INCLUDING NEUTRAL CONDUCTOR SHALL BE CLEARLY IDENTIFIED BY CORROSION RESISTANT TAGS INDICATING CIRCUIT NUMBER AND PANEL SOURCE AT EVERY POLE BASE AND HAND HOLE.
 - UTILIZE APPROVED DUAL-RATED PARALLEL TAP CONNECTOR WITH INSULATED COVER FOR TARPS AT POLE BASE.
 - UTILIZE APPROVED DUAL-RATED PARALLEL TAP CONNECTOR WITH WATERTIGHT CONNECTOR, SUITABLE FOR DIRECT BURIAL IN JUNCTION BOXES, HAND HOLES AND MANHOLES.
 - REFER TO THE LIGHTING & UTILITY PLANS FOR LOCATION OF ELECTRICAL CONDUIT SLEEVES (4")(PVC)(SCH. 80).

PROJECT NAME:	BRISTOL	PLOT DATE:	4/29/2014
PROJECT NUMBER:	HES 021-1 (28)	DRAWN BY:	P. ARMATA
FILE NAME:	z10b078frm.dgn	DESIGNED BY:	M. CROWLEY
PROJECT LEADER:	T. LUTHER	CHECKED BY:	G. EDWARDS
LIGHTING DETAILS 2		SHEET	27 OF 29

