

**SPECIAL PROVISION (STREET LIGHT, TYPE A)**  
NOT TO SCALE

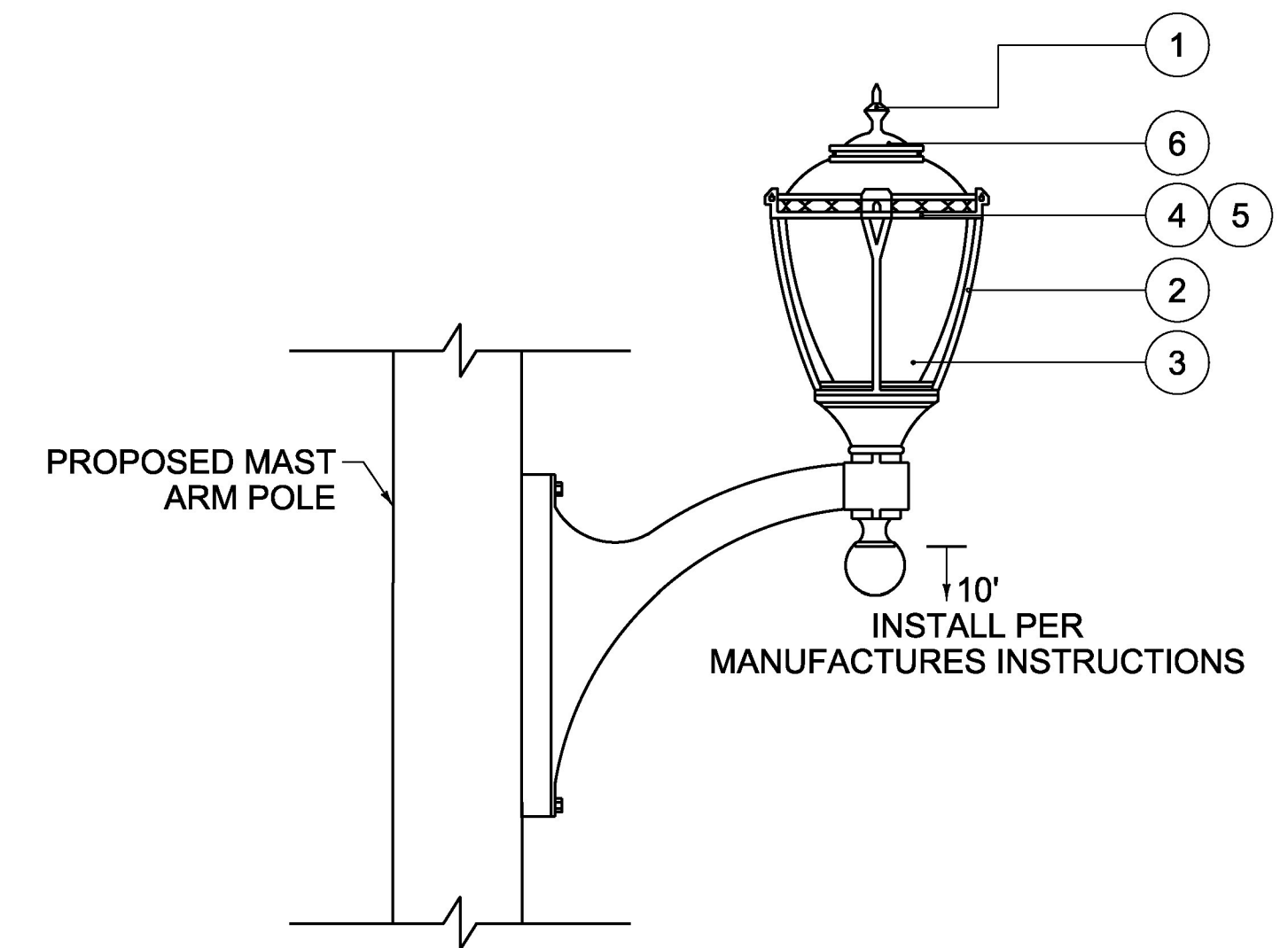
**NOTE:**

\* MEASUREMENT TAKEN FROM TOP OF CONCRETE POLE BASE

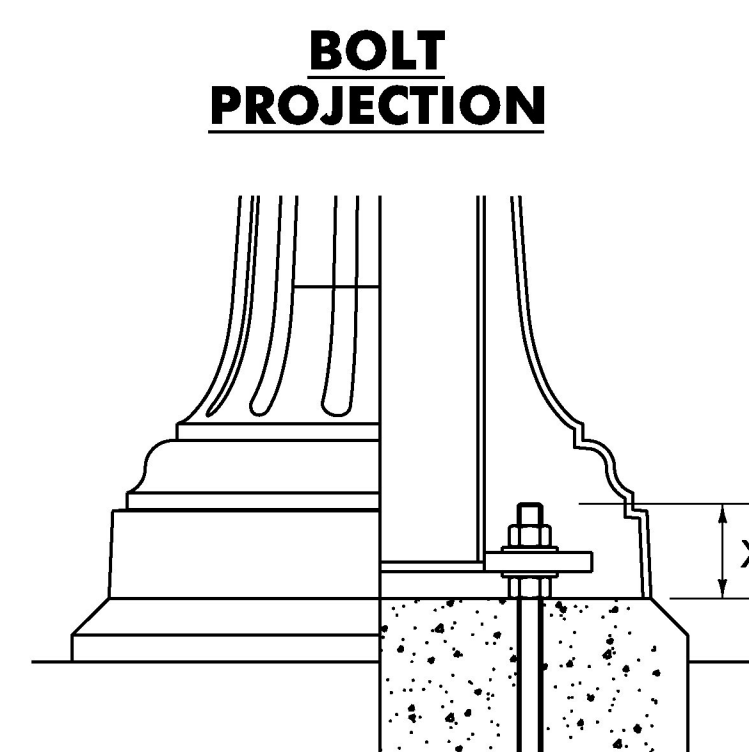
**DESCRIPTION OF COMPONENTS:**

MATCH EXISTING FIXTURE STYLE  
EXISTING MANUFACTURER: STERNBERG  
LUMINAIRE: 1130ALED/4A1R45T3/ML/120/PARK GREEN  
POLE: 4510-FP4-PARK GREEN

1. FINIAL: MADE OF CAST ALUMINUM.
  2. CAGE: MADE OF CAST ALUMINUM. 18" DIAMETER AND 35" OVERALL HEIGHT.
  3. LENS: TEXTURED LENS
  4. LAMP: 82 ROOF-MOUNTED OPTICS
  5. OPTICS: TYPE 3 DISTRIBUTION
  6. HOOD: MADE OF CAST ALUMINUM, PIVOTING ON A PIVOT JOINT.
  7. POLE: MADE OF FLUTED ALUMINUM, 4" O.D., MIN. A, 0.125" WALL THICKNESS, WELDED TO THE BASE.
  8. BASE: MADE OF ALUMINUM, .250 TO .188 WALL THICKNESS, WELDED TO THE ANCHOR PLATE.
  9. ACCESS DOOR: MADE OF ALUMINUM, COVERING AN OPENING, GIVING ACCESS TO A GROUND LUG. WITH STAINLESS STEEL SCREWS.
  10. BASE COVER: MADE OF A TWO-PIECE CAST ALUMINUM COMPONENTS, MECHANICALLY SECURED.
  11. TRAFFIC SIGNAL HARDWARE: H. D. GALVANIZED, CLAMSHELL TYPE. NO BANDING WILL BE ALLOWED.
- WIRING: INCLUDED, FROM LUMINAIRE TO THE BRACKET, EXCEEDING THE LATTER BY A MINIMUM OF 6".
- GASKETING: NEOPRENE AND/OR SILICONE GASKETING IS APPLIED.
- HARDWARE: ALL EXPOSED SCREWS WILL BE STAINLESS STEEL.
- FINISH: AN APPLICATION OF A THERMOSETTING POLYESTER POWDER COAT PAINT, APPLIED BY MEANS OF AN ELECTROSTATIC PROCESS, COLOR TO BE PARK GREEN.
12. COBRA HEAD STREET LIGHT MOUNTED ON MAST ARM POLE EXTENSION IN THE NORTHEAST QUADRANT PER VTRANS STANDARD SPECIFICATIONS & DETAILS. PAID AS SPECIAL PROVISION (STREET LIGHT TYPE C).

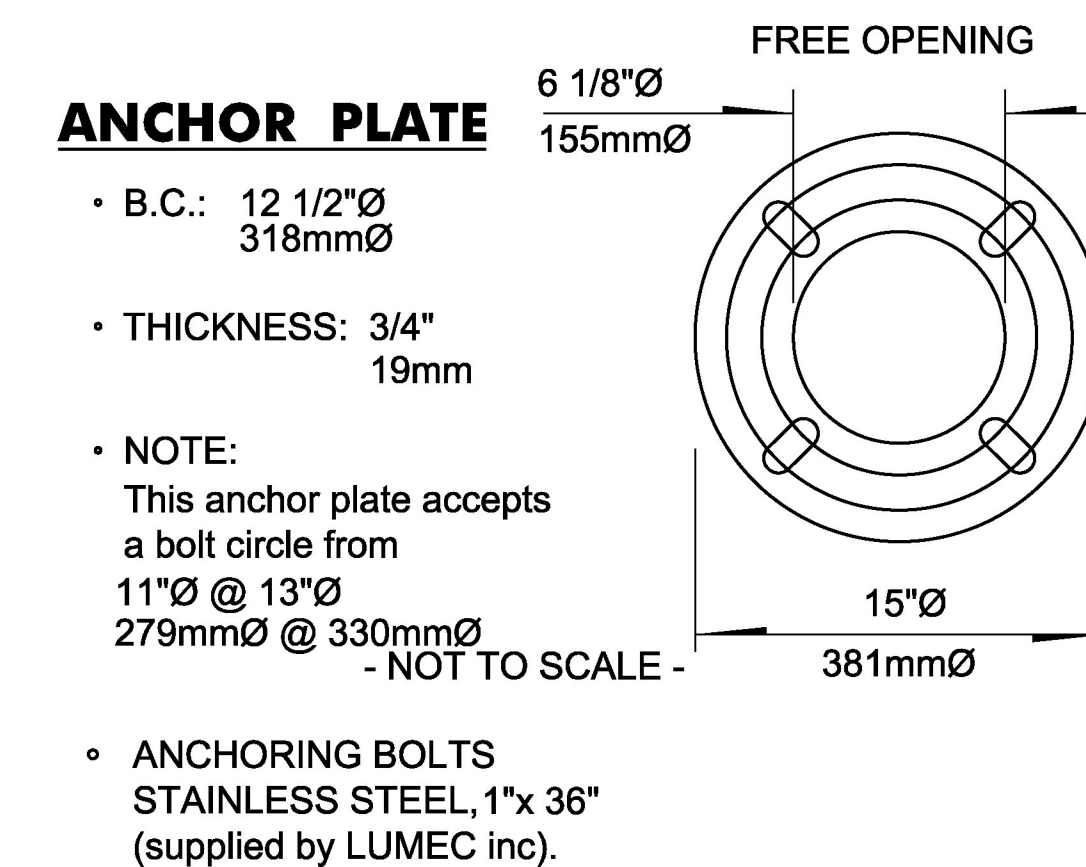


**STERNBERG LIGHTING**  
**BRACKET - 80PM**  
**SPECIAL PROVISION**  
**(STREET LIGHT, TYPE B)**  
NOT TO SCALE



**TYPE 'A' BASE DETAILS**  
NOT TO SCALE

X = 3 1/2" (89MM).  
COMES WITH 4 ANCHOR BOLTS,  
8 NUTS AND 8 WASHERS.  
- NOT TO SCALE -



**ANCHOR PLATE**

- B.C.: 12 1/2"Ø  
318mmØ
- THICKNESS: 3/4"  
19mm
- NOTE:  
This anchor plate accepts  
a bolt circle from  
11"Ø @ 13"Ø  
279mmØ @ 330mmØ  
- NOT TO SCALE -
- ANCHORING BOLTS  
STAINLESS STEEL, 1"x 3/8"  
(supplied by LUMEC inc).



PROJECT NAME:	BRISTOL	PLOT DATE:	4/29/2014
PROJECT NUMBER:	HES 021-1 (28)	DRAWN BY:	P. ARMATA
FILE NAME:	z10b078frm.dgn	DESIGNED BY:	M. CROWLEY
PROJECT LEADER:	T. LUTHER	CHECKED BY:	G. EDWARDS
DESIGNED BY:	M. CROWLEY	CHECKED BY:	G. EDWARDS
<b>LIGHTING DETAILS 1</b>		SHEET	26 OF 29