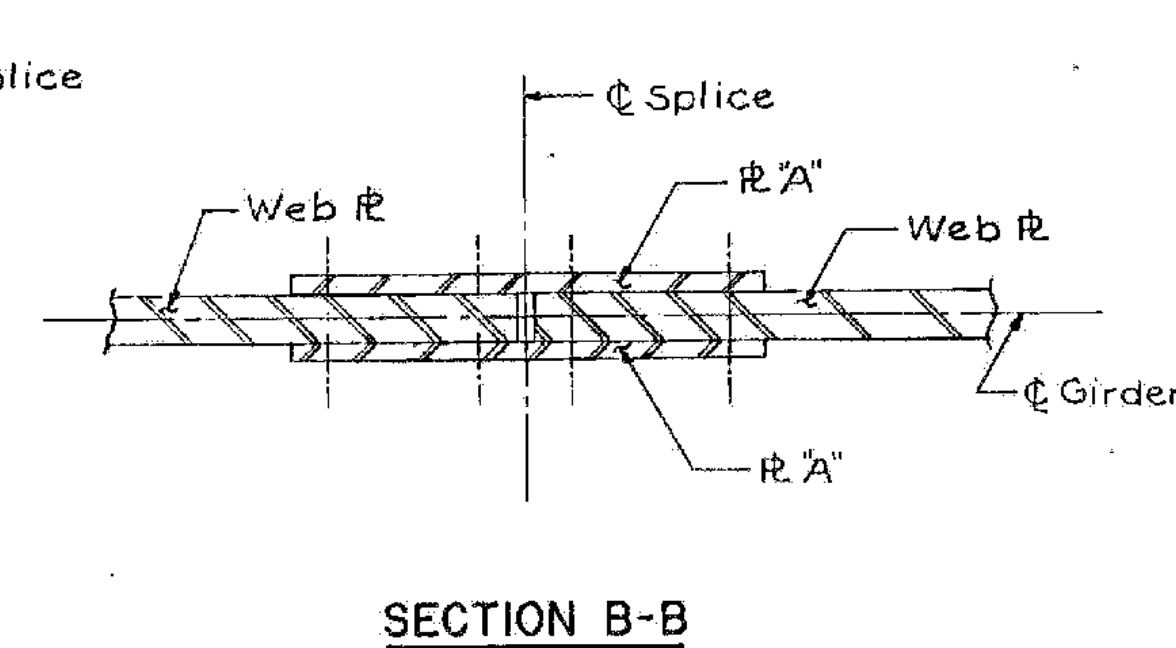
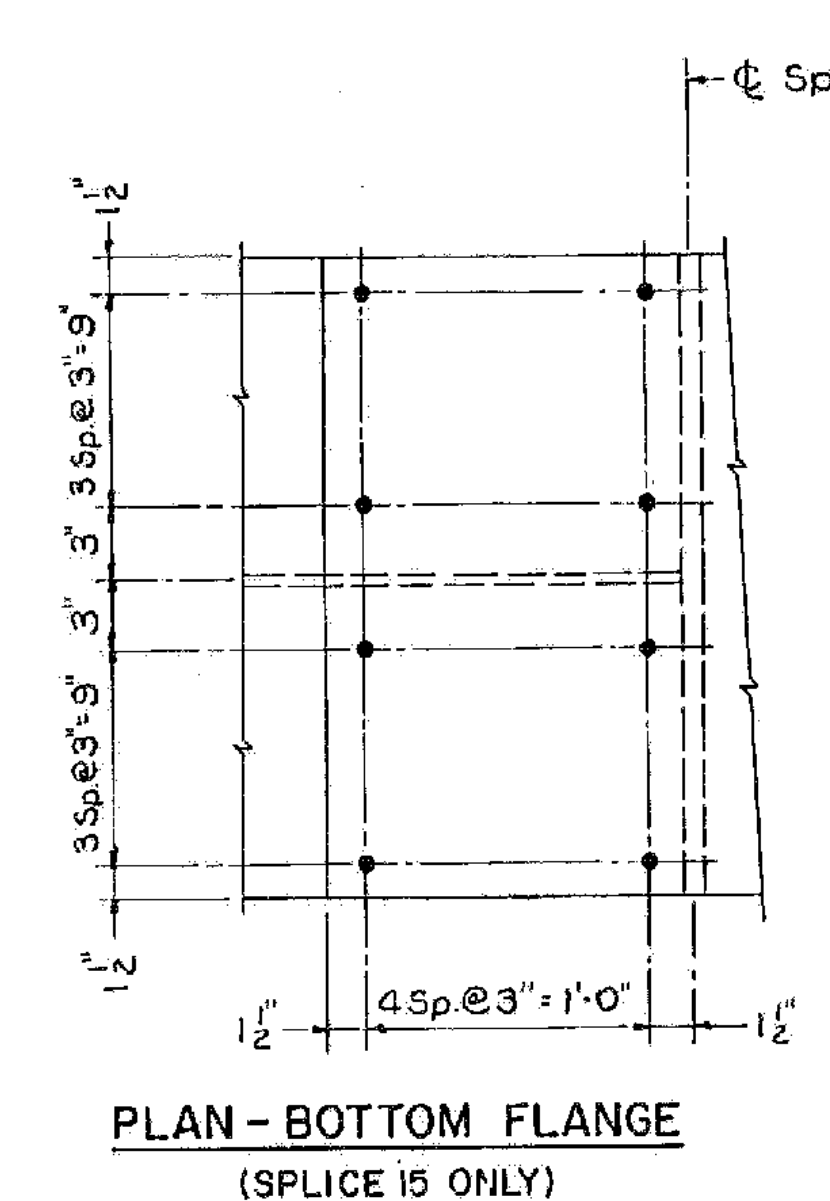
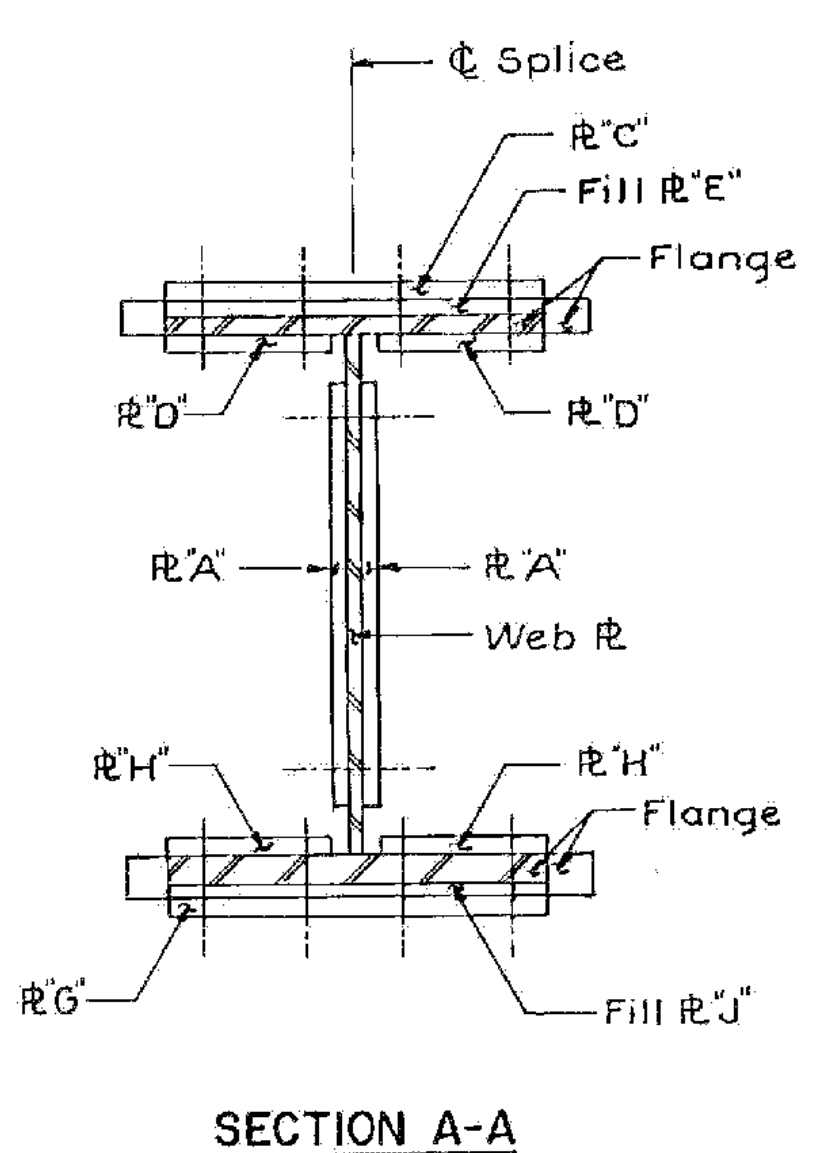
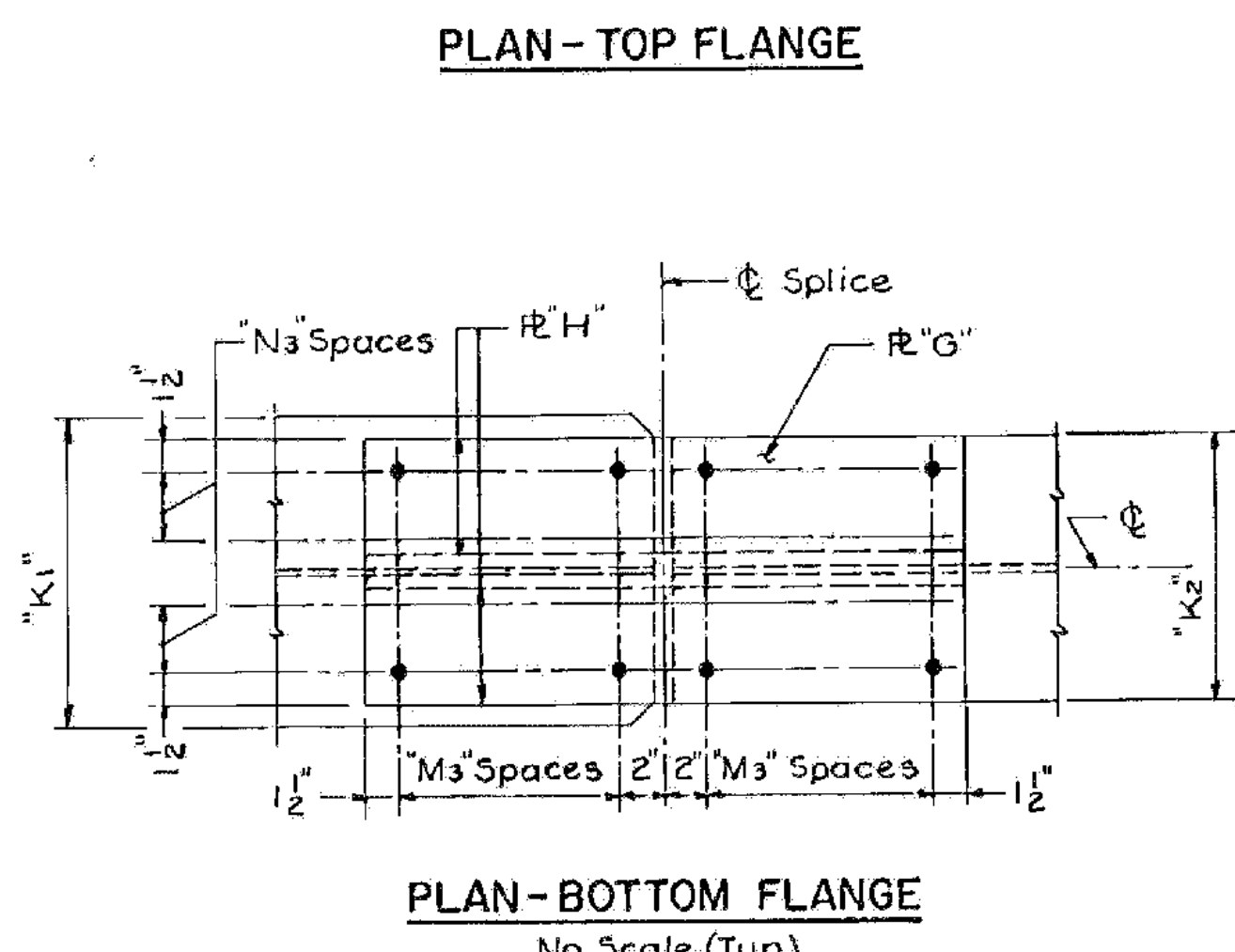
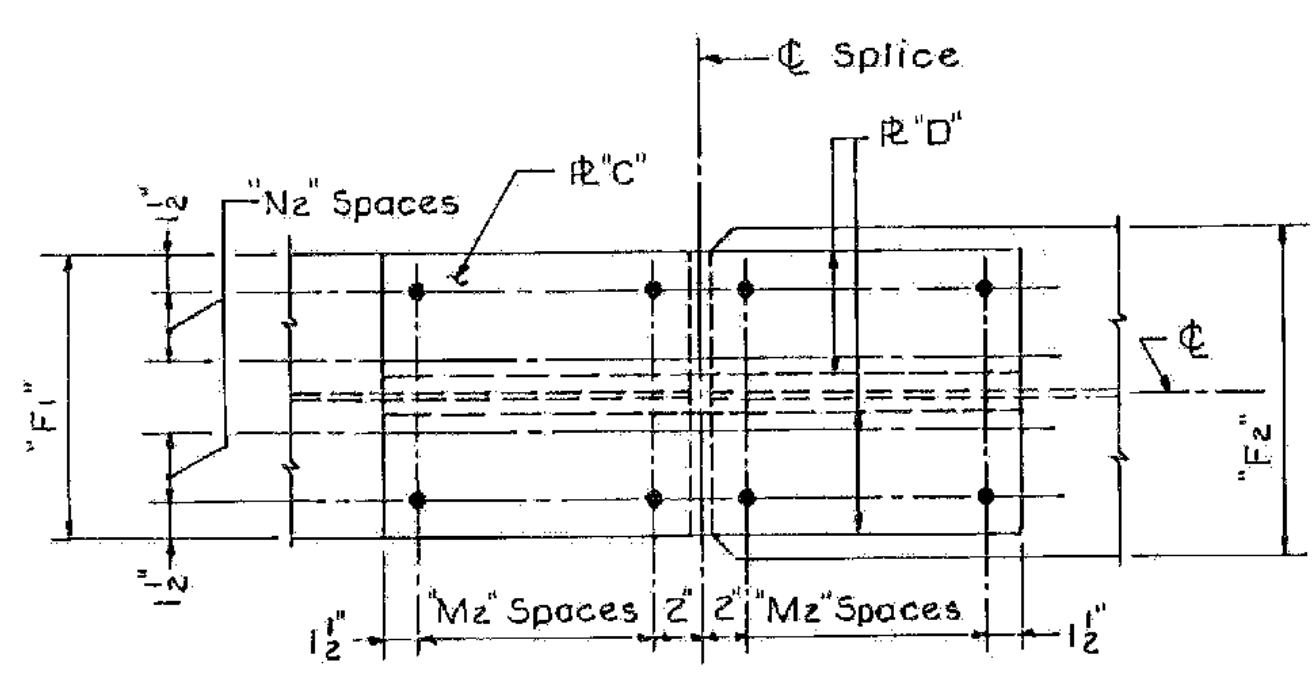
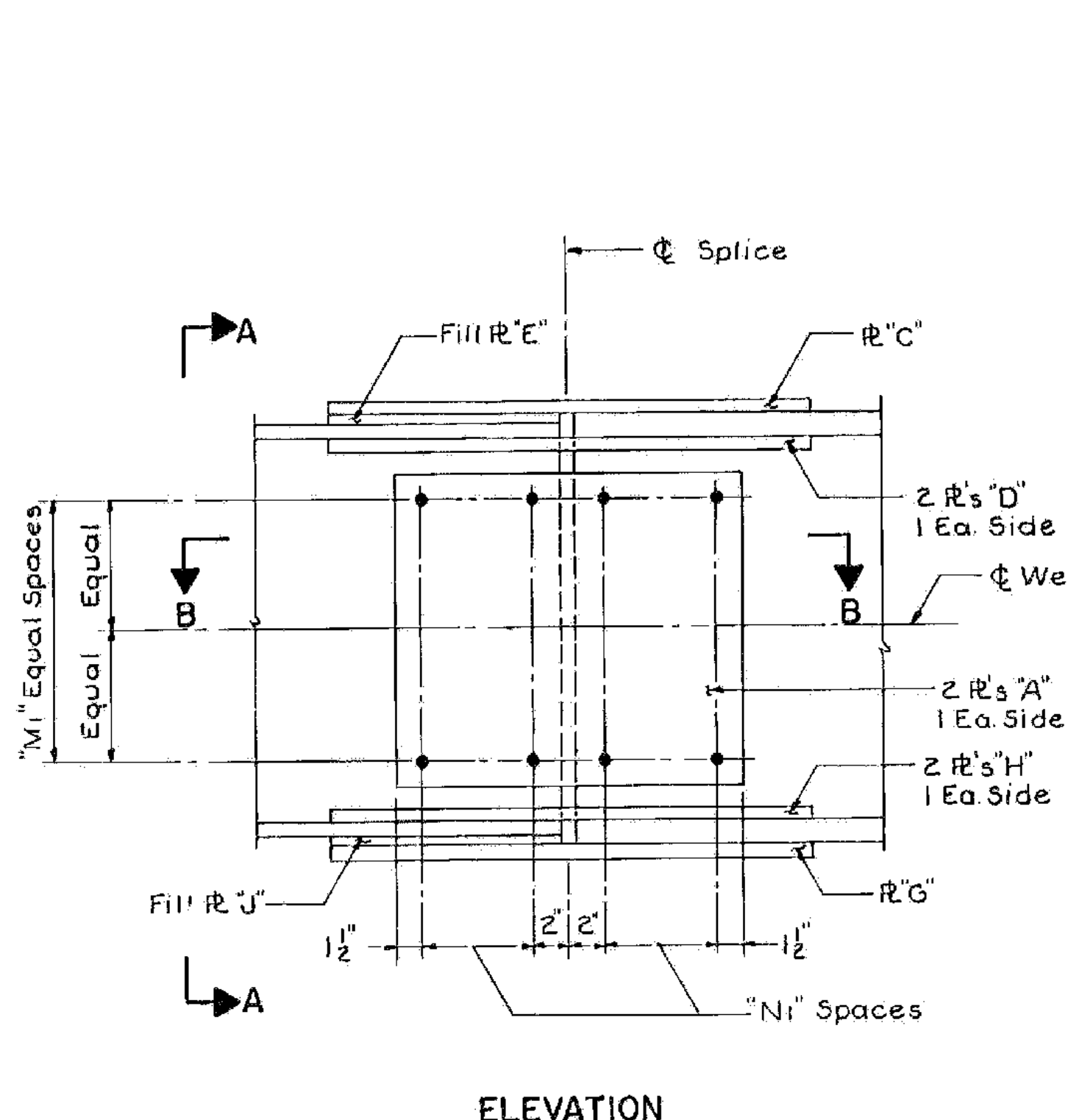


UNIT	SPLICE NUMBER	TOP FLANGE SPLICE						WEB SPLICE				BOTTOM FLANGE SPLICE						
		SPLICE PLATES			BOLT SPACING		FLANGE WIDTH	SPLICE PLATES		BOLT SPACING		SPLICE PLATES			BOLT SPACING		FLANGE WIDTH	
		"C"	"D"	"E" (Fill Pl)	"Mz" (Spaces)	"Nz"		"A"	"B"	"M1" (Spaces)	"N1"	"G"	"H"	"J" (Fill Pl)	"M3" (Spaces)	"N3"	"K1"	"K2"
1	1	9/16 x 16 x 2'-7"	5/8 x 7 x 2'-7"	1/2 x 16 x 1'-3 1/2"	4 @ 3" = 1'-0"	3"	16"	16"	7/16 x 19 x 3'-9"	14 Eq Sp. = 3'-6"	2 @ 3'-6"	9/16 x 16 x 3'-1"	5/8 x 7 x 3'-1"	3/8 x 16 x 1'-6 1/2"	5 @ 3" = 1'-3"	3"	16"	16"
1	2	1/2 x 16 x 2'-1"	1/2 x 7 x 2'-1"	---	3 @ 3" = 9"	3"	16"	16"	7/16 x 19 x 3'-9"	14 Eq Sp. = 3'-6"	2 @ 3'-6"	1/2 x 16 x 2'-1"	1/2 x 7 x 2'-1"	---	3 @ 3" = 9"	3"	16"	16"
1	3	1/2 x 16 x 2'-1"	1/2 x 7 x 2'-1"	1/8 x 16 x 1'-0 1/2"	3 @ 3" = 9"	3"	16"	16"	7/16 x 19 x 3'-9"	14 Eq Sp. = 3'-6"	2 @ 3'-6"	1/2 x 16 x 2'-1"	1/2 x 7 x 2'-1"	1/8 x 16 x 1'-0 1/2"	3 @ 3" = 9"	3"	16"	16"
2	4	5/8 x 16 x 3'-1"	3/4 x 7 x 3'-1"	1/8 x 16 x 1'-6 1/2"	5 @ 3" = 1'-3"	3"	16"	20"	7/16 x 25 x 5'-1"	15 Eq Sp. = 4'-10"	3 @ 3'-9"	5/8 x 16 x 4'-1"	1/2 x 7 x 4'-1"	3/4 x 16 x 2'-0 1/2"	7 @ 3" = 1'-9"	3"	16"	20"
2	5 & 12	1/2 x 16 x 2'-1"	1/2 x 7 x 2'-1"	1/8 x 16 x 1'-0 1/2"	3 @ 3" = 9"	3"	20"	16"	1/2 x 25 x 5'-1"	17 Eq Sp. = 4'-10"	3 @ 3'-9"	1/2 x 16 x 2'-1"	1/2 x 7 x 2'-1"	---	3 @ 3" = 9"	3"	20"	16"
2	6 & 11	1/2 x 16 x 2'-1"	1/2 x 7 x 2'-1"	---	3 @ 3" = 9"	3"	16"	16"	1/2 x 25 x 5'-1"	17 Eq Sp. = 4'-10"	3 @ 3'-9"	1/2 x 16 x 2'-1"	1/2 x 7 x 2'-1"	---	3 @ 3" = 9"	3"	16"	16"
2	7 & 10	1/2 x 16 x 2'-1"	1/2 x 7 x 2'-1"	---	3 @ 3" = 9"	3"	16"	16"	7/16 x 25 x 5'-1"	15 Eq Sp. = 4'-10"	3 @ 3'-9"	1/2 x 16 x 2'-1"	1/2 x 7 x 2'-1"	---	4 @ 3" = 1'-0"	3"	16"	16"
2	8 & 9	1/2 x 16 x 2'-1"	1/2 x 7 x 2'-1"	1/8 x 16 x 1'-0 1/2"	3 @ 3" = 9"	3"	16"	20"	7/16 x 25 x 5'-1"	15 Eq Sp. = 4'-10"	3 @ 3'-9"	1/2 x 16 x 2'-1"	1/2 x 7 x 2'-1"	---	4 @ 3" = 1'-0"	3"	16"	20"
2	13	5/8 x 16 x 3'-1"	3/4 x 7 x 3'-1"	1/8 x 16 x 1'-6 1/2"	5 @ 3" = 1'-3"	3"	20"	16"	7/16 x 25 x 5'-1"	16 Eq Sp. = 4'-10"	3 @ 3'-9"	5/8 x 16 x 3'-7"	1/2 x 7 x 3'-7"	3/8 x 16 x 1'-9 1/2"	6 @ 3" = 1'-6"	3"	20"	16"
3	14 & 17	1/2 x 16 x 3'-1"	1/2 x 7 x 3'-1"	1/4 x 16 x 1'-9 1/2"	6 @ 3" = 1'-6"	3"	16"	16"	7/16 x 25 x 6'-9"	21 Eq Sp. = 6'-6"	3 @ 3'-9"	1/2 x 16 x 3'-7"	3/4 x 7 x 3'-7"	1/4 x 16 x 1'-9 1/2"	6 @ 3" = 1'-6"	3"	16"	27"
3	15 & 16	1/2 x 16 x 3'-1"	1/2 x 7 x 3'-1"	1/2 x 16 x 1'-6 1/2"	5 @ 3" = 1'-3"	3"	27"	16"	7/16 x 19 x 6'-9"	20 Eq Sp. = 6'-6"	2 @ 3'-6"	5/8 x 27 x 2'-7"	5/8 x 12 1/2 x 2'-7"	---	4 @ 3" = 1'-0"	3 @ 3" = 9"	27"	27"
4	18	1/2 x 16 x 2'-7"	1/2 x 7 x 2'-7"	1/4 x 16 x 1'-3 1/2"	4 @ 3" = 1'-0"	3"	16"	20"	7/16 x 25 x 5'-1"	16 Eq Sp. = 4'-10"	3 @ 3'-9"	1/2 x 16 x 3'-7"	3/4 x 7 x 3'-7"	3/8 x 16 x 1'-9 1/2"	6 @ 3" = 1'-6"	3"	20"	16"
4	19	1/2 x 16 x 2'-7"	1/2 x 7 x 2'-7"	3/8 x 16 x 1'-3 1/2"	4 @ 3" = 1'-0"	3"	20"	16"	1/2 x 25 x 5'-1"	17 Eq Sp. = 4'-10"	3 @ 3'-9"	1/2 x 16 x 3'-7"	3/4 x 7 x 3'-7"	3/8 x 16 x 1'-9 1/2"	6 @ 3" = 1'-6"	3"	20"	16"
4	20 & 27	1/2 x 16 x 2'-1"	1/2 x 7 x 2'-1"	1/8 x 16 x 1'-0 1/2"	3 @ 3" = 9"	3"	16"	16"	1/2 x 25 x 5'-1"	17 Eq Sp. = 4'-10"	3 @ 3'-9"	1/2 x 16 x 2'-1"	1/2 x 7 x 2'-1"	1/8 x 16 x 1'-0 1/2"	3 @ 3" = 9"	3"	16"	16"
4	21 & 26	1/2 x 16 x 2'-1"	1/2 x 7 x 2'-1"	1/8 x 16 x 1'-0 1/2"	3 @ 3" = 9"	3"	16"	16"	1/2 x 25 x 5'-1"	17 Eq Sp. = 4'-10"	3 @ 3'-9"	9/16 x 16 x 2'-7"	5/8 x 7 x 2'-7"	---	4 @ 3" = 1'-0"	3"	16"	16"
4	22 & 25	1/2 x 16 x 2'-1"	1/2 x 7 x 2'-1"	1/8 x 16 x 1'-0 1/2"	3 @ 3" = 9"	3"	16"	20"	1/2 x 25 x 5'-1"	17 Eq Sp. = 4'-10"	3 @ 3'-9"	1/2 x 16 x 2'-7"	5/8 x 7 x 2'-7"	---	4 @ 3" = 1'-0"	3"	16"	20"
4	28	1/2 x 16 x 3'-1"	1/2 x 7 x 3'-1"	1/2 x 16 x 1'-6 1/2"	5 @ 3" = 1'-3"	3"	16"	20"	1/2 x 25 x 5'-1"	17 Eq Sp. = 4'-10"	3 @ 3'-9"	1/2 x 16 x 3'-1"	1/2 x 7 x 3'-1"	1/2 x 16 x 1'-6 1/2"	5 @ 3" = 1'-3"	3"	16"	20"
4	29	1/2 x 16 x 2'-7"	1/2 x 7 x 2'-7"	3/8 x 16 x 1'-3 1/2"	4 @ 3" = 1'-0"	3"	20"	16"	7/16 x 25 x 5'-1"	16 Eq Sp. = 4'-10"	3 @ 3'-9"	9/16 x 16 x 4'-1"	7/8 x 7 x 4'-1"	1/2 x 16 x 2'-0 1/2"	7 @ 3" = 1'-9"	3"	20"	16"
5	30 & 39	1/2 x 16 x 2'-7"	1/2 x 7 x 2'-7"	3/8 x 16 x 1'-3 1/2"	4 @ 3" = 1'-0"	3"	16"	20"	7/16 x 25 x 5'-1"	16 Eq Sp. = 4'-10"	3 @ 3'-9"	9/16 x 16 x 4'-1"	7/8 x 7 x 4'-1"	1/2 x 16 x 2'-0 1/2"	7 @ 3" = 1'-9"	3"	16"	20"
5	31 & 38	1/2 x 16 x 3'-1"	1/2 x 7 x 3'-1"	1/2 x 16 x 1'-6 1/2"	5 @ 3" = 1'-3"	3"	20"	16"	1/2 x 25 x 5'-1"	17 Eq Sp. = 4'-10"	3 @ 3'-9"	1/2 x 16 x 3'-1"	1/2 x 7 x 3'-1"	1/2 x 16 x 1'-6 1/2"	5 @ 3" = 1'-3"	3"	20"	16"
5	32 & 37	1/2 x 16 x 2'-1"	1/2 x 7 x 2'-1"	1/8 x 16 x 1'-0 1/2"	3 @ 3" = 9"	3"	16"	16"	1/2 x 25 x 5'-1"	17 Eq Sp. = 4'-10"	3 @ 3'-9"	1/2 x 16 x 2'-1"	1/2 x 7 x 2'-1"	1/8 x 16 x 1'-0 1/2"	3 @ 3" = 9"	3"	16"	16"
5	33 & 36	1/2 x 16 x 2'-1"	1/2 x 7 x 2'-1"	1/8 x 16 x 1'-0 1/2"	3 @ 3" = 9"	3"	16"	16"	1/2 x 25 x 5'-1"	17 Eq Sp. = 4'-10"	3 @ 3'-9"	9/16 x 16 x 2'-7"	5/8 x 7 x 2'-7"	---	4 @ 3" = 1'-0"	3"	16"	16"
5	34 & 35	1/2 x 16 x 2'-1"	1/2 x 7 x 2'-1"	1/8 x 16 x 1'-0 1/2"	3 @ 3" = 9"	3"	16"	20"	1/2 x 25 x 5'-1"	17 Eq Sp. = 4'-10"	3 @ 3'-9"	9/16 x 16 x 2'-7"	5/8 x 7 x 2'-7"	---	4 @ 3" = 1'-0"	3"	16"	20"
6	40	9/16 x 16 x 2'-7"	5/8 x 7 x 2'-7"	1/8 x 16 x 1'-3 1/2"	4 @ 3" = 1'-0"	3"	16"	16"	7/16 x 19 x 4'-0"	14 Eq Sp. = 3'-9"	2 @ 3'-6"	9/16 x 16 x 3'-1"	5/8 x 7 x 3'-1"	3/8 x 16 x 1'-6 1/2"	5 @ 3" = 1'-3"	3"	16"	16"
6	41	9/16 x 16 x 2'-7"	5/8 x 7 x 2'-7"	1/8 x 16 x 1'-3 1/2"	4 @ 3" = 1'-0"	3"	16"	16"	7/16 x 19 x 4'-0"	14 Eq Sp. = 3'-9"	2 @ 3'-6"	9/16 x 16 x 2'-7"	5/8 x 7 x 2'-7"	1/8 x 16 x 1'-3 1/2"	4 @ 3" = 1'-0"	3"	16"	16"
6	42	9/16 x 16 x 2'-7"	5/8 x 7 x 2'-7"	1/8 x 16 x 1'-3 1/2"	4 @ 3" = 1'-0"	3"	16"	16"	7/16 x 19 x 4'-0"	14 Eq Sp. = 3'-9"	2 @ 3'-6"	9/16 x 16 x 3'-1"	5/8 x 7 x 3'-1"	5/8 x 16 x 1'-6 1/2"	5 @ 3" = 1'-3"	3"	16"	16"

- NOTES:**
- All Splice Plates to be ASTM A588.
 - All Field Connections are to be made with 3/4" High Strength Bolts, ASTM A325. (Friction Type III)
 - All Holes for 3/4" Bolts to be 15/16" Φ.
 - Nuts to be on inside face of Web Splice at Fascia Girders.
 - Nuts to be up on all Flange Splices.



ALBURGH-ROUSES POINT
BHF MEMB(24)
SHEET 38 OF 50
FOR REFERENCE ONLY

STATE OF VERMONT
AGENCY OF TRANSPORTATION

TOWN OF ROUSES POINT N.Y. - ALBURG VT.	Bridge No. 1
HIGHWAY NO. ROUTE 2	Log Sta. 0+00
	Surv. Sta.

SPLICE DETAILS
(STEEL ALTERNATE)

Designed by S.M.	Drawn by R.D.F.
Checked by K.A.C. date 10-17-84	Bridge Design Supervisor C.J.M./S.M. date 10-31-84

PROJECT ROUSES POINT BRIDGE REPLACEMENT	PROJECT NO. BRF 028-1(II)
Bridge Sheet No. SS68	Sheet of

HNTB
HOWARD NEEDLES TAMMEN & BERGENDOFF