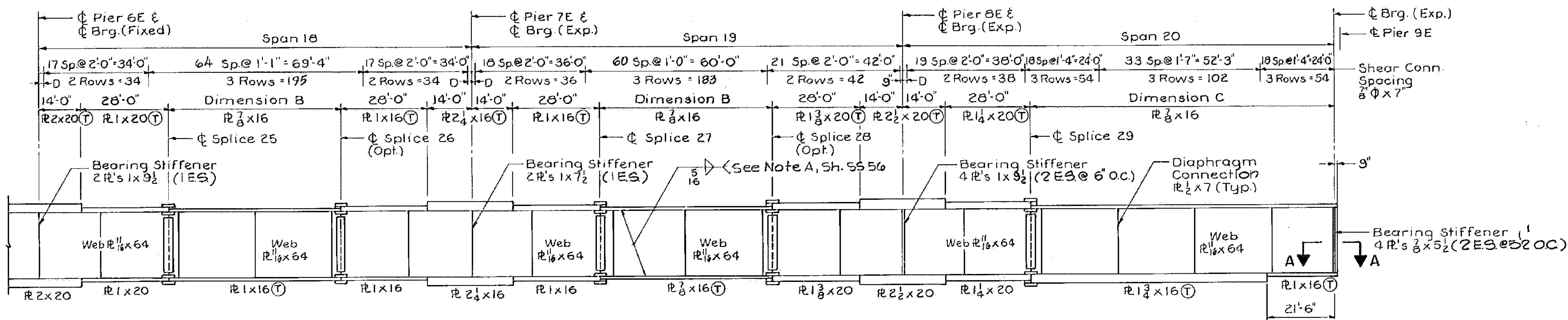


GIRDER ELEVATION
No Scale



GIRDER ELEVATION
No Scale

Girder	A	B	C
G1	97'-11"	55'-6 3/4"	97'-6 3/4"
G2	97'-11 1/2"	55'-9 3/8"	97'-9 3/8"
G3	96'-0"	56'-0"	96'-0"
G4	98'-0 1/2"	56'-2 5/8"	98'-2 5/8"
G5	98'-1"	56'-5 1/4"	98'-5 1/4"

Girder	Span 14	Span 15-20
G1	139'-11"	139'-6 3/4"
G2	139'-11 1/2"	139'-9 3/8"
G3	140'-0"	140'-0"
G4	140'-0 1/2"	140'-2 5/8"
G5	140'-1"	140'-5 1/4"

DIMENSION D				
Girder	Span 14	Spans 15 & 19	Spans 16, 17 & 18	Span 20
G1	1'-1"	9 3/4"	1'-1 3/8"	1'-3 3/8"
G2	1'-1 1/2"	1'-0 3/8"	1'-2 1/8"	1'-6 3/8"
G3	1'-2"	1'-3"	1'-4"	1'-9"
G4	1'-2 1/2"	1'-5 5/8"	1'-5 5/8"	1'-11 5/8"
G5	1'-3"	1'-8 1/4"	1'-6 3/8"	2'-2 1/4"

- NOTES:**
 1. For Framing Plan, see Sheet S562.
 2. For Section A-A, see Sheet S561.

ALBURGH-ROUSES POINT
 BHF MEMB(24)
 SHEET 33 OF 50
 FOR REFERENCE ONLY

STATE OF VERMONT
AGENCY OF TRANSPORTATION

TOWN OF ROUSES POINT NY- ALBURG VT. Bridge No. 1
 Log Sta. 0+00
 HIGHWAY NO. ROUTE 2 Surv. Sta.

GIRDER ELEVATION - UNIT 4
(STEEL ALTERNATE)

Designed by S.M. Drawn by R.D.F.
 Checked by K.A.C. date 10-19-84 Bridge Design Supervisor C.J.M./S.M. date 10-31-84

PROJECT ROUSES POINT BRIDGE REPLACEMENT PROJECT NO. BRFO28-1(U)
 Bridge Sheet No. S563 Sheet of

