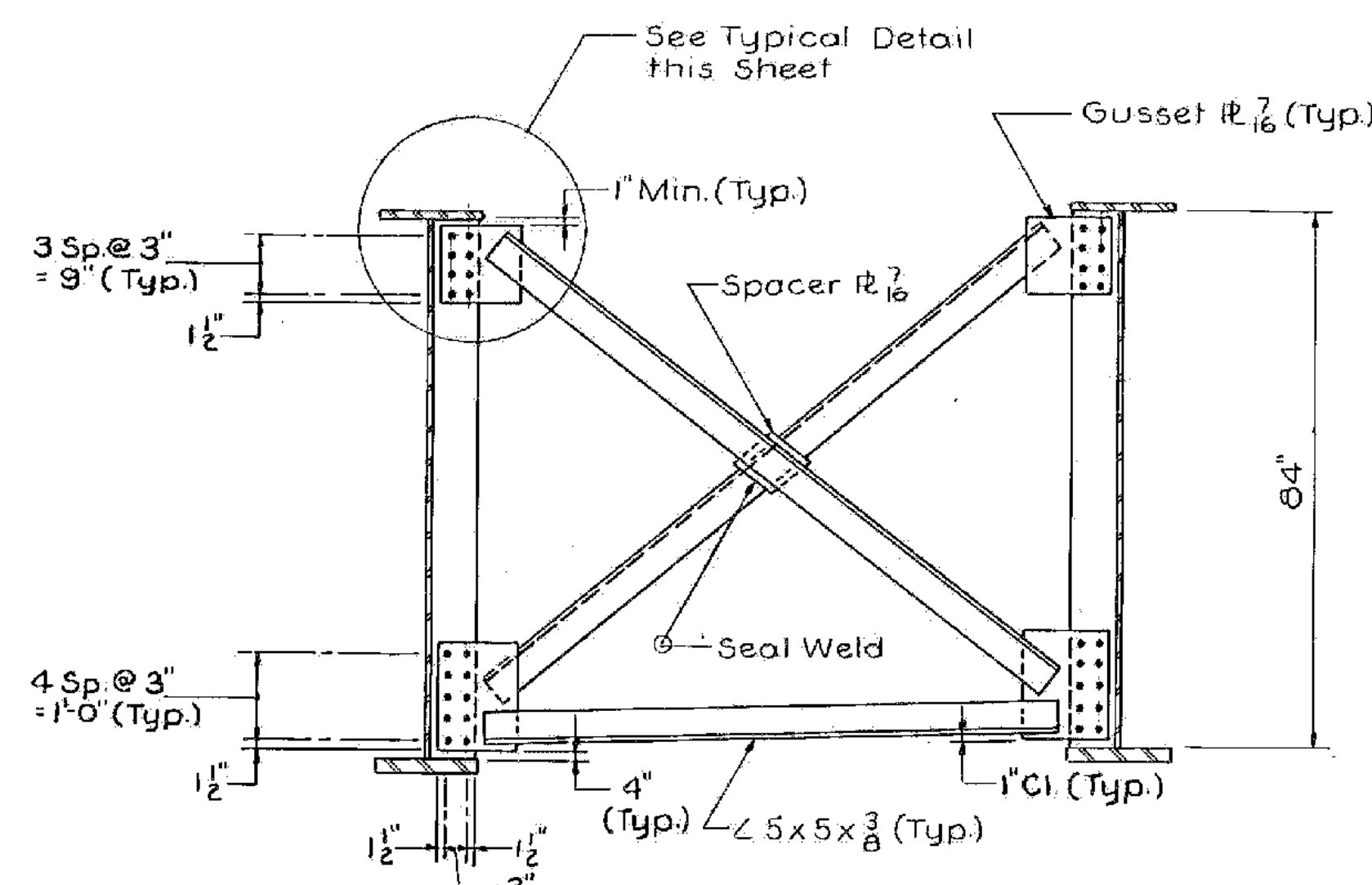
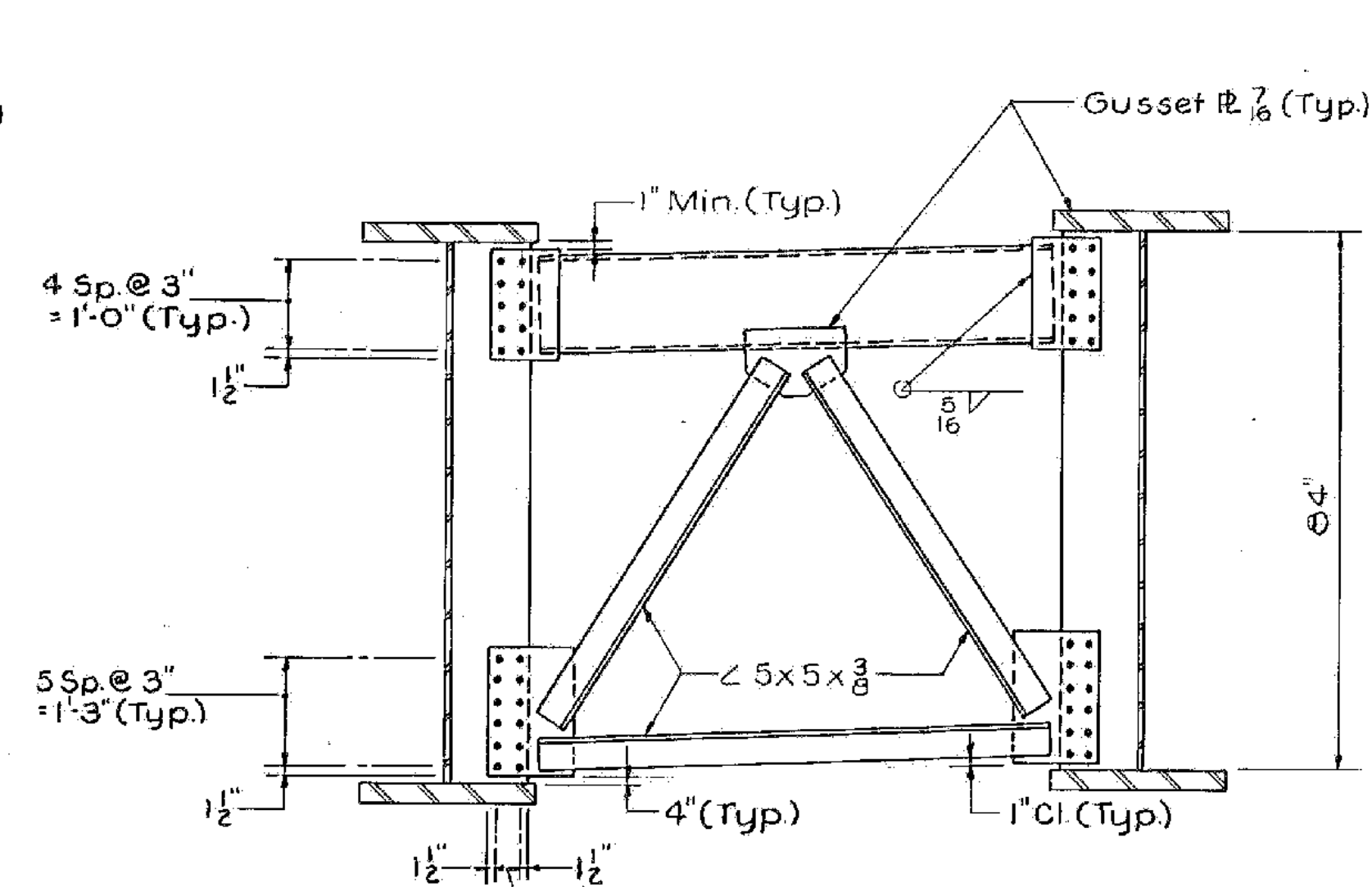


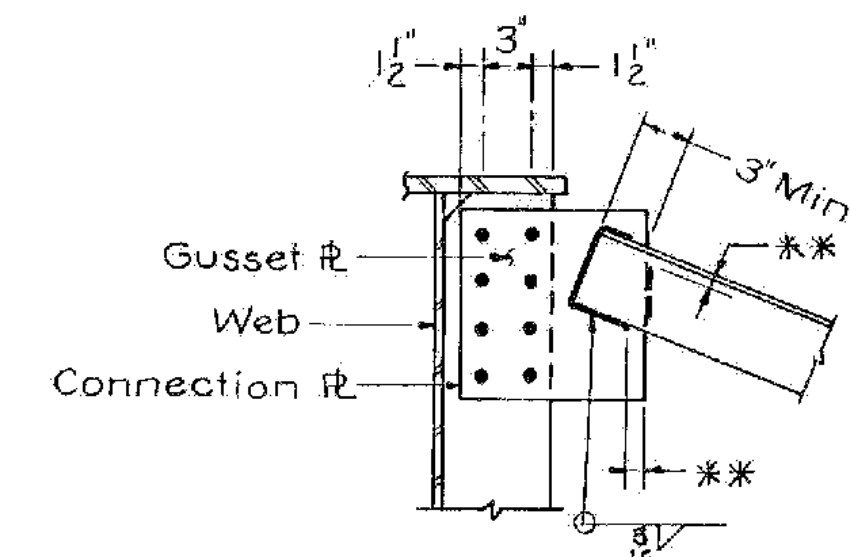
**PIER CROSSFRAME
AT EXPANSION JOINTS**
Scale: 1/2" = 1'-0"



INTERMEDIATE CROSSFRAME
Scale: 1/2" = 1'-0"

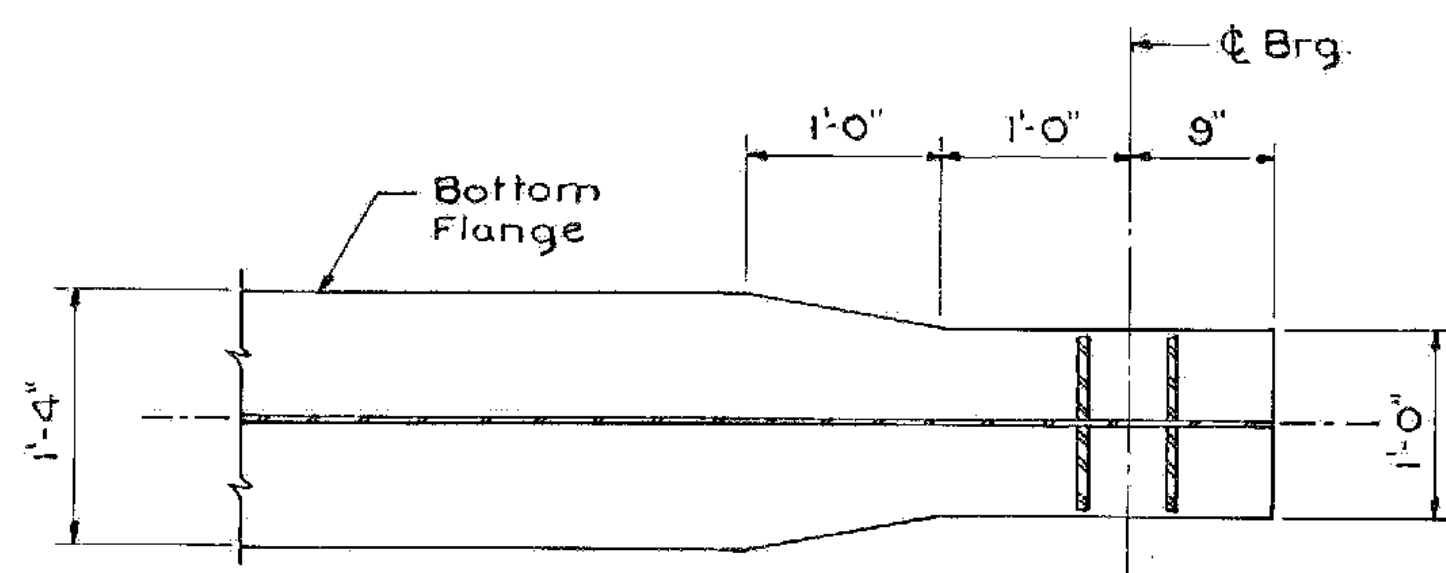


PIER CROSSFRAME
Scale: 1/2" = 1'-0"



** All around welds on Gusset Pl connections to be terminated a min. of 1/4" & a max. of 1/2" from edge of Gusset Pl.

TYPICAL DETAIL
Scale: 1/2" = 1'-0"



SECTION A-A
(Taper Detail of Abutments & Piers
With Deck Expansion Joints)
Scale: 1" = 1'-0"

NOTE:
For Section A-A Locations, see Girder
Elevation Unit 1, 2, 4, 5 & 6.

ALBURGH-ROUSES POINT
BHF MEMB(24)
SHEET 31 OF 50
FOR REFERENCE ONLY

**STATE OF VERMONT
AGENCY OF TRANSPORTATION**

TOWN OF ROUSES POINT N.Y.-ALBURGH VT.	Bridge No. 1
HIGHWAY NO. ROUTE 2	Log Sta. 0+00
	Surv. Sta.

CROSS FRAME DETAILS - UNIT 3

(STEEL ALTERNATE)

Designed by S.M.	Drawn by R.D.F.
Checked by K.A.C. date 9-25-84	Bridge Design Supervisor C.J.M./S.M. date
PROJECT ROUSES POINT BRIDGE REPLACEMENT	PROJECT NO. BRF02B-1 (11)
Bridge Sheet No. S861	Sheet of

