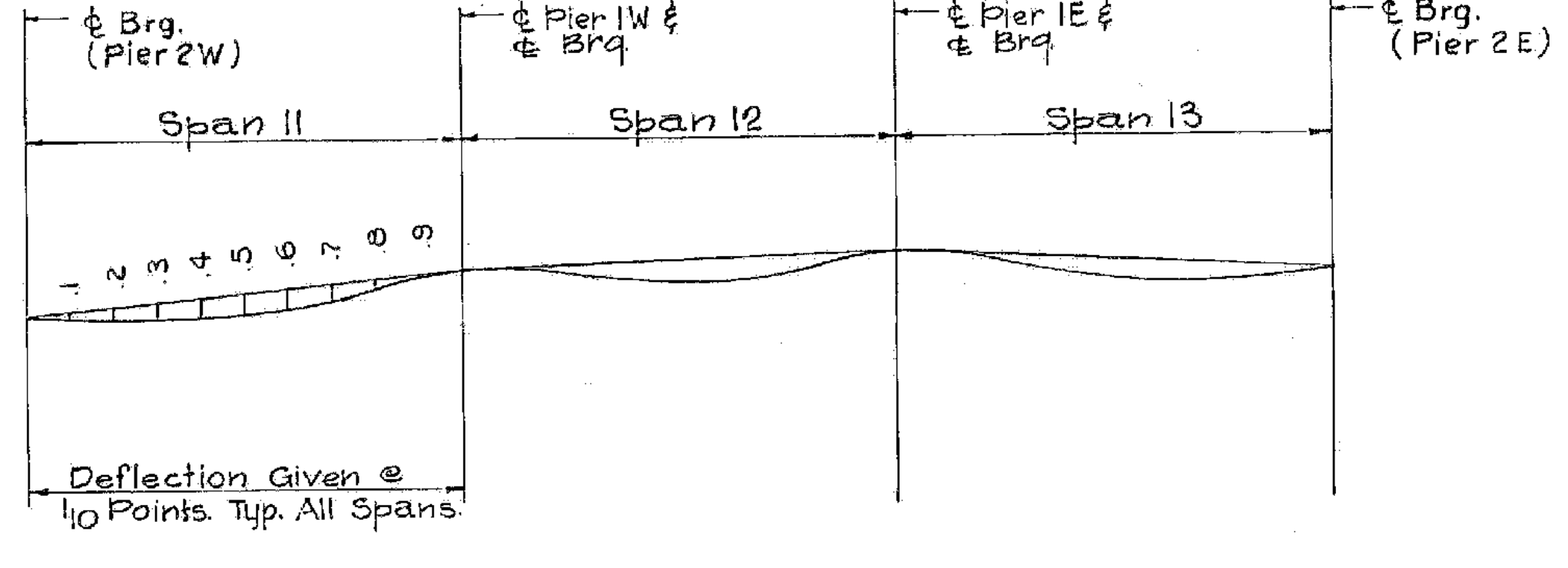
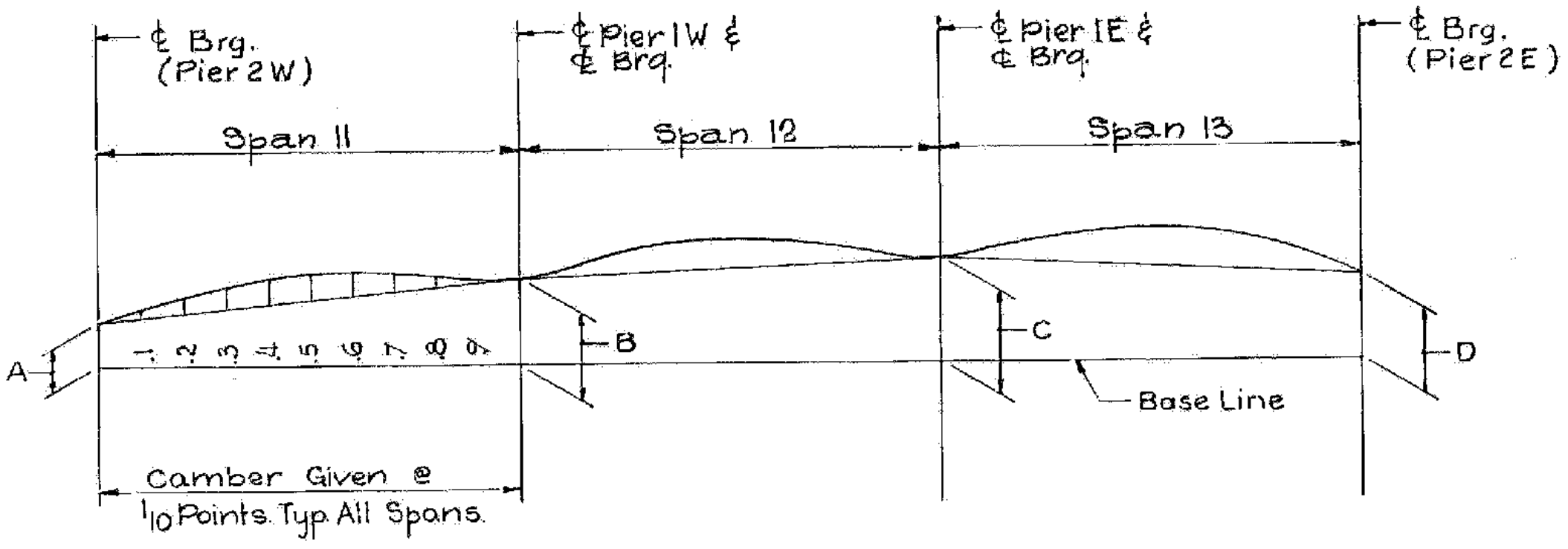
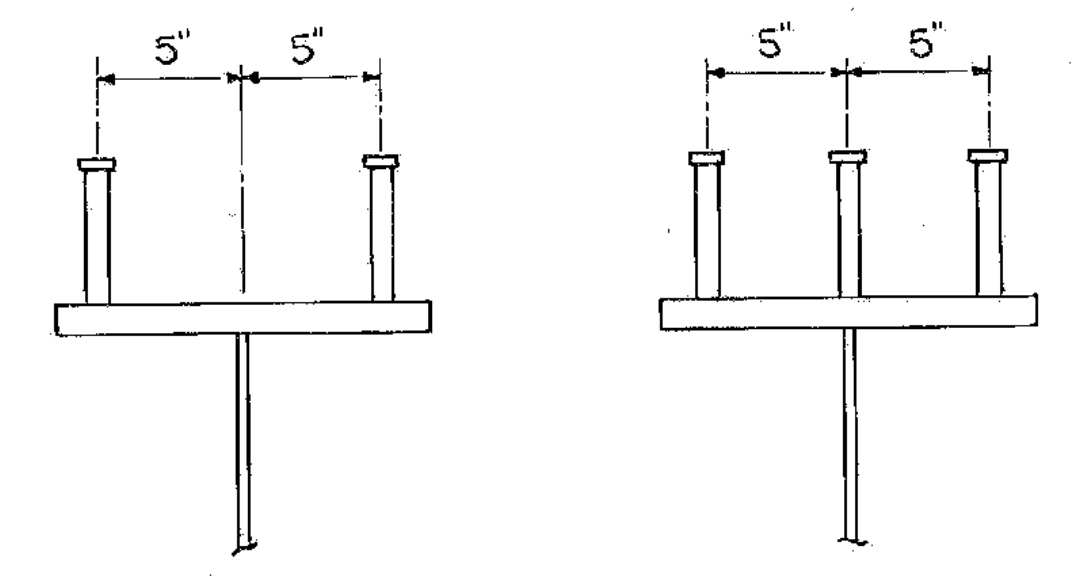


NOTE A:
Flange to Web Fillet Welds for all Flange Thicknesses Greater than 1/2" Shall be 3/8" Welds.



CAMBER * (Inches)												
Span	Gdr.	¢ Brq.	.1	.2	.3	.4	.5	.6	.7	.8	.9	¢ Brq.
11	1-5	0	3 ³ / ₁₆	5 ¹⁵ / ₁₆	7 ¹¹ / ₁₆	8 ⁷ / ₁₆	8 ³ / ₁₆	7 ¹ / ₀	5 ⁷ / ₁₆	3 ¹ / ₂	1 ⁵ / ₈	0
		0	2 ³ / ₈	5 ¹ / ₈	7 ³ / ₁₆	9 ¹¹ / ₁₆	10 ³ / ₈	9 ¹¹ / ₁₆	7 ³ / ₈	5 ¹ / ₈	2 ³ / ₈	0
12	1-5	0	1 ⁵ / ₈	3 ⁷ / ₁₆	5 ³ / ₈	7 ¹ / ₁₆	8 ¹ / ₈	8 ⁵ / ₁₆	7 ⁵ / ₈	5 ³ / ₈	3 ¹ / ₄	0
		0	1 ⁴ / ₄	2 ¹ / ₁₆	4 ⁵ / ₁₆	5 ⁹ / ₁₆	6 ⁴ / ₄	6 ³ / ₄	6 ⁷ / ₁₆	5 ¹ / ₁₆	2 ³ / ₈	0
13	2+3	0	1 ⁵ / ₈	3 ¹ / ₂	5 ¹ / ₁₆	7 ¹ / ₈	8 ³ / ₁₆	8 ⁷ / ₁₆	7 ¹¹ / ₁₆	5 ¹⁵ / ₁₆	3 ⁵ / ₈	0
		0	1 ⁷ / ₁₆	3 ³ / ₁₆	4 ¹⁵ / ₁₆	6 ¹ / ₂	7 ⁷ / ₁₆	7 ³ / ₄	7 ³ / ₁₆	5 ⁹ / ₁₆	3 ¹ / ₈	0

DEFLECTION (Inches)												
Span	Defl.	¢ Brq.	.1	.2	.3	.4	.5	.6	.7	.8	.9	¢ Brq.
11	Steel Only	0	7 ¹ / ₁₆	1 ¹³ / ₁₆	1 ¹ / ₁₆	1 ¹ / ₈	1 ¹ / ₁₆	1 ¹³ / ₁₆	1 ² / ₂	4 ¹ / ₁₆	7 ¹ / ₁₆	0
	Total	0	2 ¹ / ₈	3 ¹³ / ₁₆	4 ⁷ / ₈	5 ³ / ₁₆	4 ⁷ / ₈	3 ¹³ / ₁₆	2 ⁵ / ₈	1 ⁵ / ₁₆	7 ¹ / ₁₆	0
12	Steel Only	0	1 ⁸ / ₁₆	7 ⁷ / ₁₆	7 ⁷ / ₁₆	1 ³ / ₁₆	1 ⁵ / ₁₆	1 ³ / ₁₆	7 ⁸ / ₁₆	7 ¹ / ₁₆	1 ⁸ / ₁₆	0
	Total	0	3 ⁸ / ₁₆	1 ⁵ / ₈	3 ³ / ₁₆	4 ⁷ / ₁₆	4 ⁷ / ₈	4 ⁷ / ₁₆	3 ³ / ₁₆	1 ⁵ / ₈	3 ⁸ / ₁₆	0
13	Steel Only	0	1 ¹ / ₁₆	4 ¹ / ₂	1 ¹³ / ₁₆	1 ¹ / ₈	1 ⁸	1 ¹ / ₁₆	1 ¹ / ₁₆	1 ¹³ / ₁₆	7 ¹ / ₁₆	0
	Total	0	7 ¹ / ₁₆	1 ¹ / ₈	2 ⁸ / ₁₆	3 ¹⁵ / ₁₆	4 ³ / ₈	5 ³ / ₁₆	4 ⁷ / ₈	3 ¹³ / ₁₆	2 ⁸	0

Minus Sign (-) Indicates an Upward Deflection.
Deflection Values are for Girders 1-5.

Minus Sign (-) Indicates a Downward Camber
* Ordinates For Web Plate Layout.

UNIT 3				
BEAM NO.	A	B	C	D
G1	0.00	3.23	4.35	2.87
G2	0.00	3.24	4.36	2.87
G3	0.00	3.25	4.37	2.86
G4	0.00	3.24	4.36	3.06
G5	0.00	3.23	4.35	3.23

Dimensions A-D Measured in Feet

ALBURGH-ROUSES POINT
BHF MEMB(24)
SHEET 30 OF 50
FOR REFERENCE ONLY

STATE OF VERMONT
AGENCY OF TRANSPORTATION

TOWN OF ROUSES POINT N.Y. - ALBURG VT. Bridge No. 1
Log Sta. 0+00
HIGHWAY NO. ROUTE 2 Surv. Sta.,

GIRDER ELEVATION - UNIT 3
(STEEL ALTERNATE)

Designed by S.M. Drawn by R.D.F.
Checked by Bridge Design Supervisor
K.A.C. date 9-25-84 C.J.M./S.M. date

PROJECT ROUSES POINT BRIDGE REPLACEMENT PROJECT NO. BRF 028-1(III)
Bridge Sheet No. 5560 Sheet of

