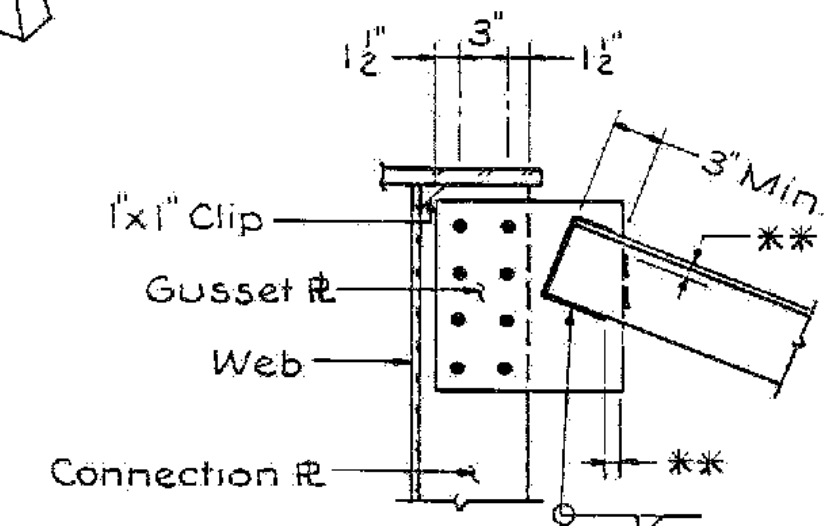
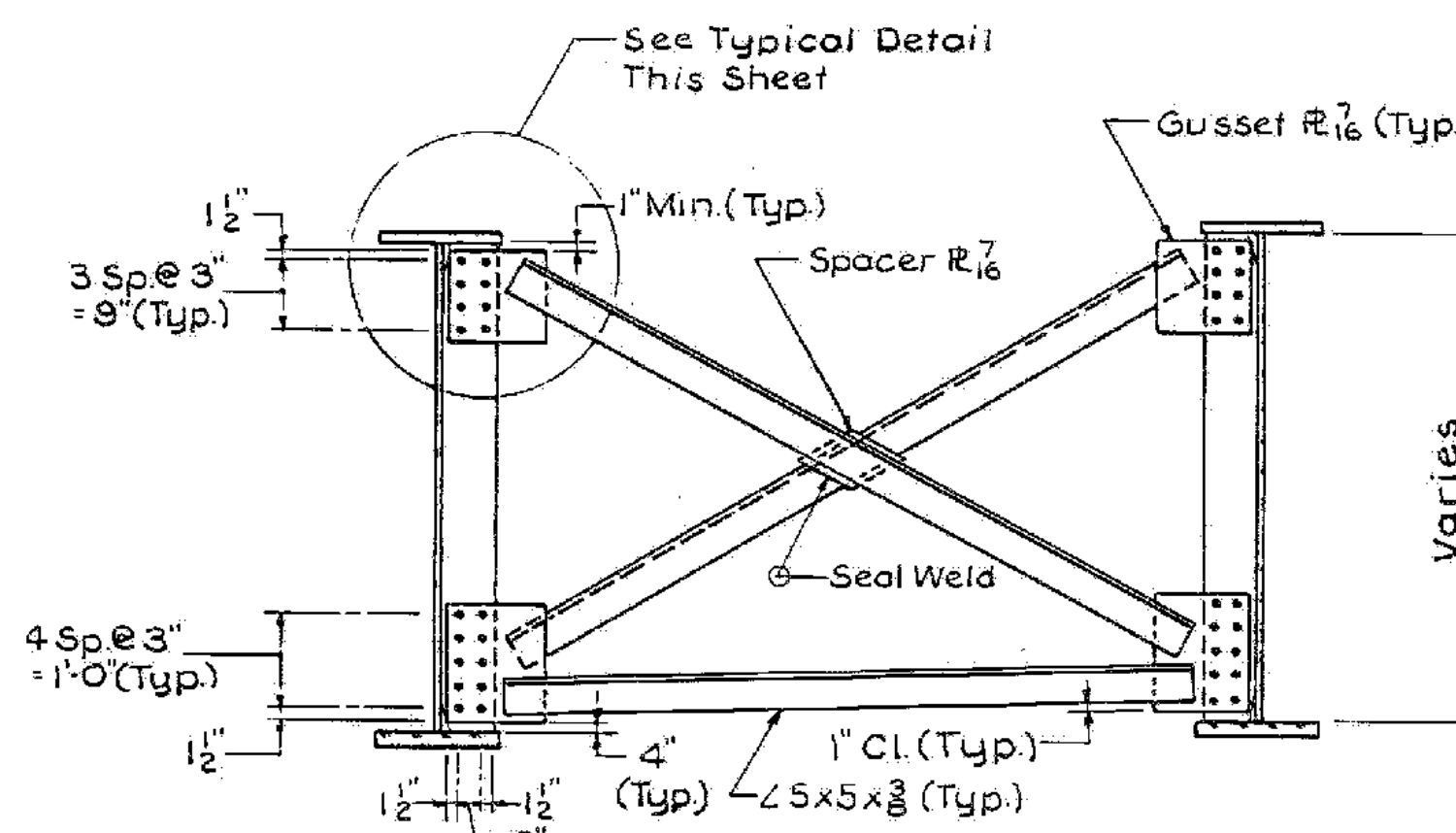


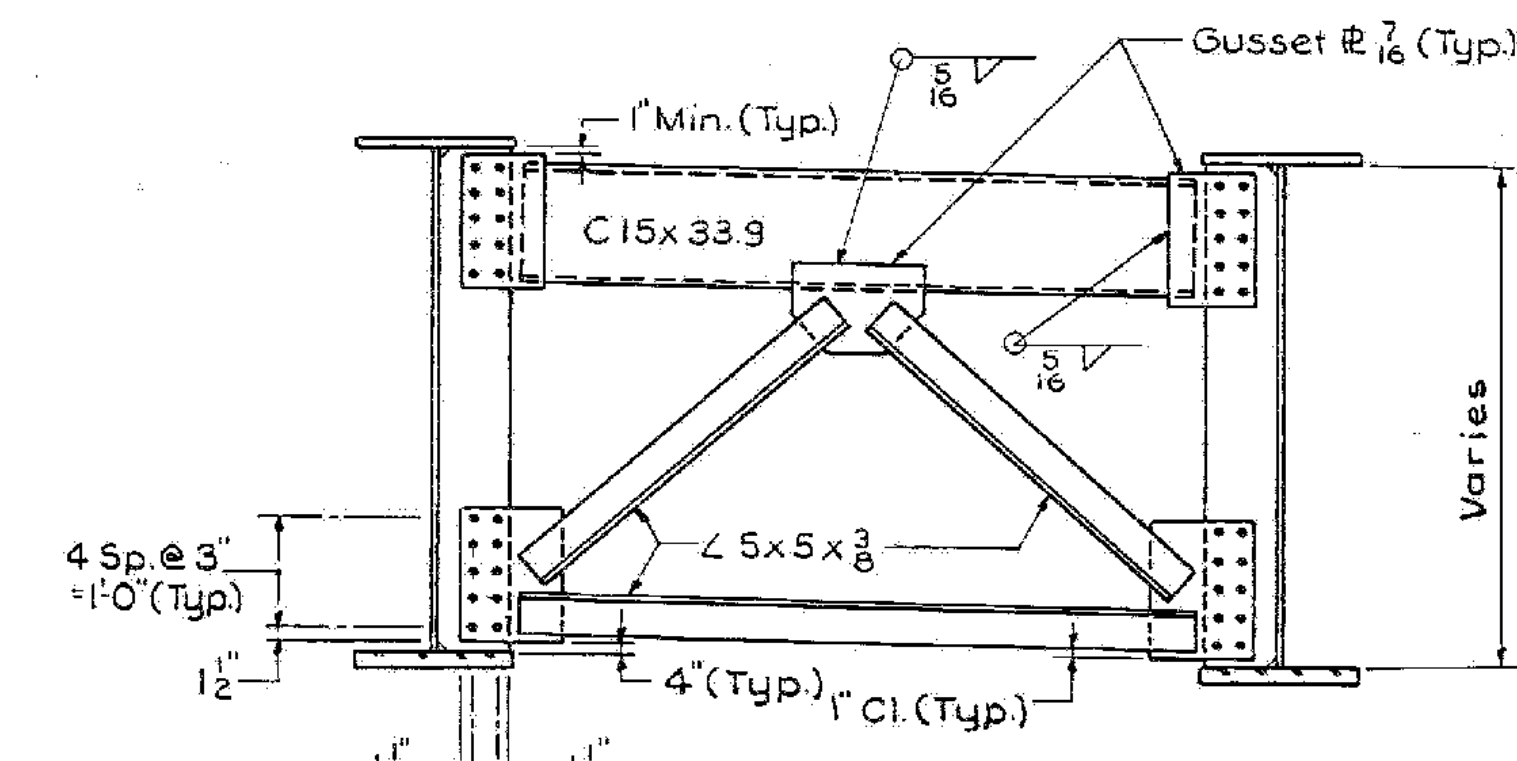
**FRAMING PLAN - SPANS 1 THRU 4
UNIT 1**
Scale: 1" = 20'



TYPICAL DETAIL
Scale: 1/2" = 1'-0"
** All ground welds on Gusset R connections to be terminated a min. of 1" & a max. of 1/2" from edge of Gusset R.



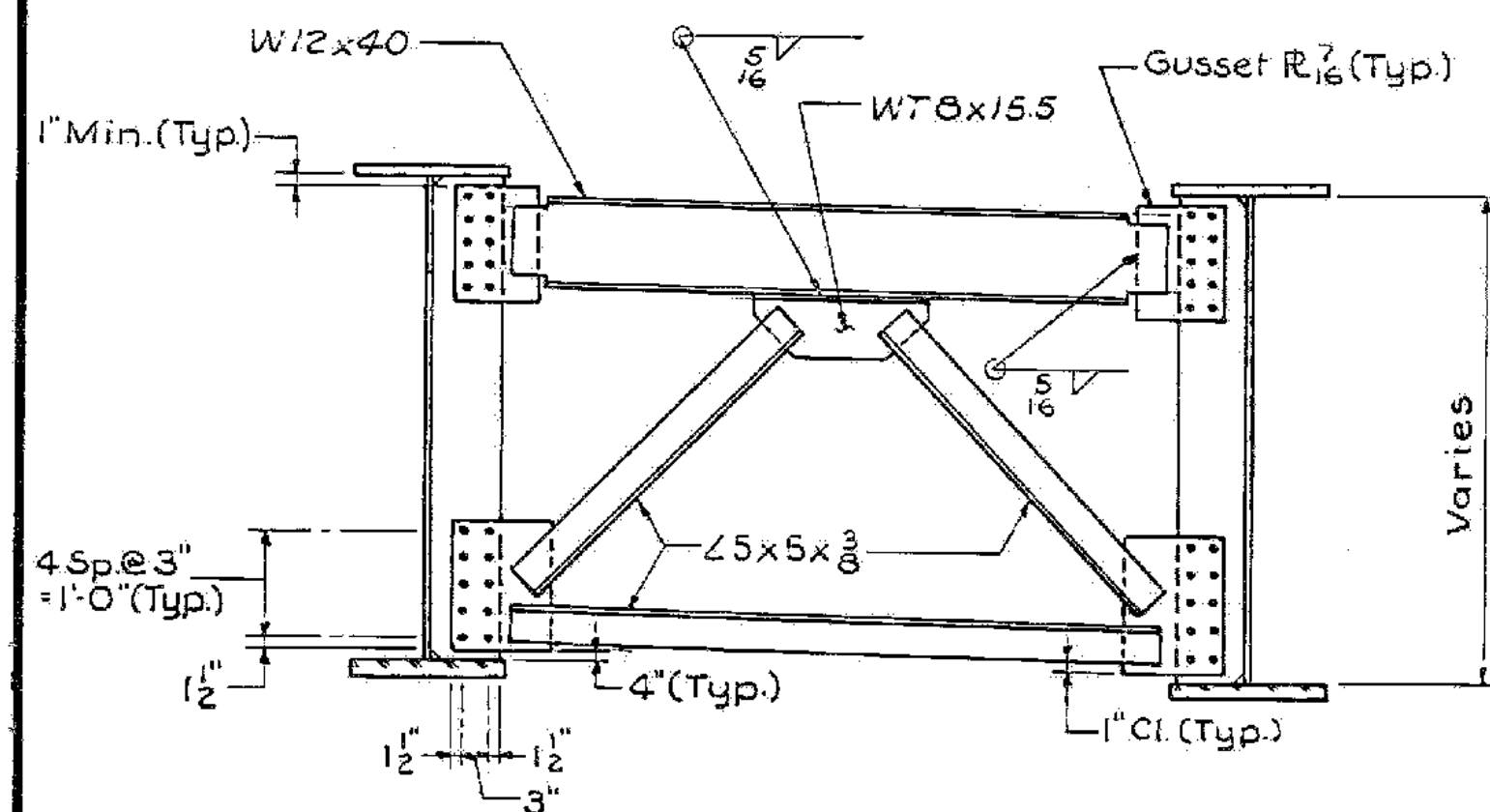
INTERMEDIATE CROSSFRAME
Scale: 1/2" = 1'-0"



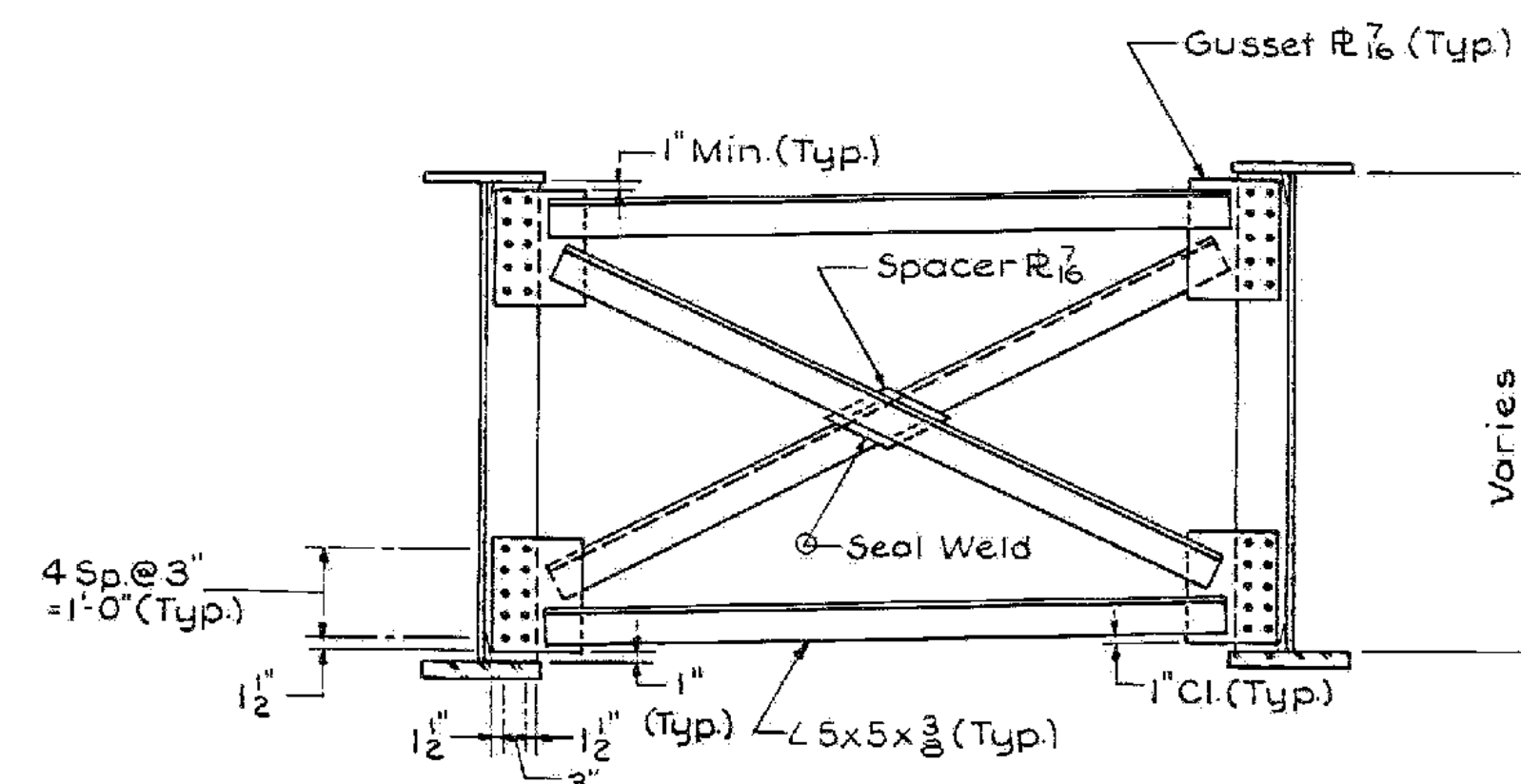
PIER CROSSFRAME
Scale: 1/2" = 1'-0"

NOTES:

1. Cross Frame Details on this Sheet are Applicable to Units 1, 2, 4, 5 & 6 Only. Cross Frame Details For Unit 3 are Detailed on Sh. SS61
2. Finished Grade (FG) Elevation Given at Top of Bituminous Concrete Pavement.
3. For Girder Elevation, see Sheet SC56.



**CROSSFRAME
AT EXPANSION JOINTS
(PIERS & ABUTMENTS)**
Scale: 1/2" = 1'-0"



**INTERMEDIATE CROSSFRAME
CURVED GIRDERS ONLY**
Scale: 1/2" = 1'-0"

ALBURGH-ROUSES POINT
BHF MEMB(24)
SHEET 25 OF 50
FOR REFERENCE ONLY

**STATE OF VERMONT
AGENCY OF TRANSPORTATION**

TOWN OF ROUSES POINT N.Y. - ALBURGH VT.	Bridge No. 1
HIGHWAY NO. ROUTE 2	Log Sta. 0+00
FRAMING PLAN-UNIT 1 & CROSS FRAMES (STEEL ALTERNATE)	
Designed by B.B.C.	Drawn by R.D.F.
Checked by S.M. date 10-17-84	Bridge Design Supervisor C.J.M./S.M. date 10-31-84
PROJECT ROUSES POINT BRIDGE REPLACEMENT	PROJECT NO. BRP 028-1(III)
Bridge Sheet No. SS55	Sheet of

HNTB
HOWARD NEEDLES TAMMEN & BERGENDOFF