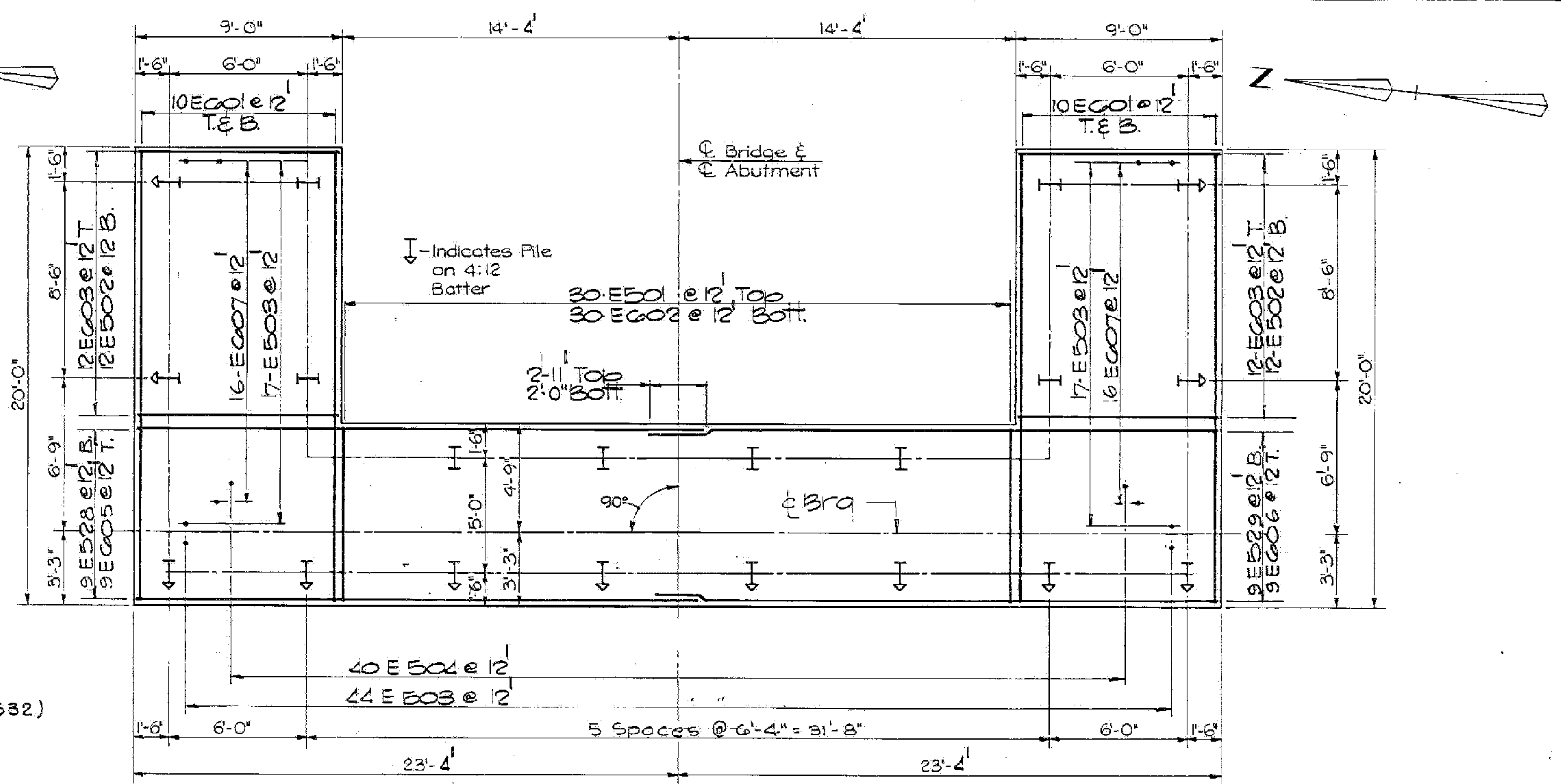
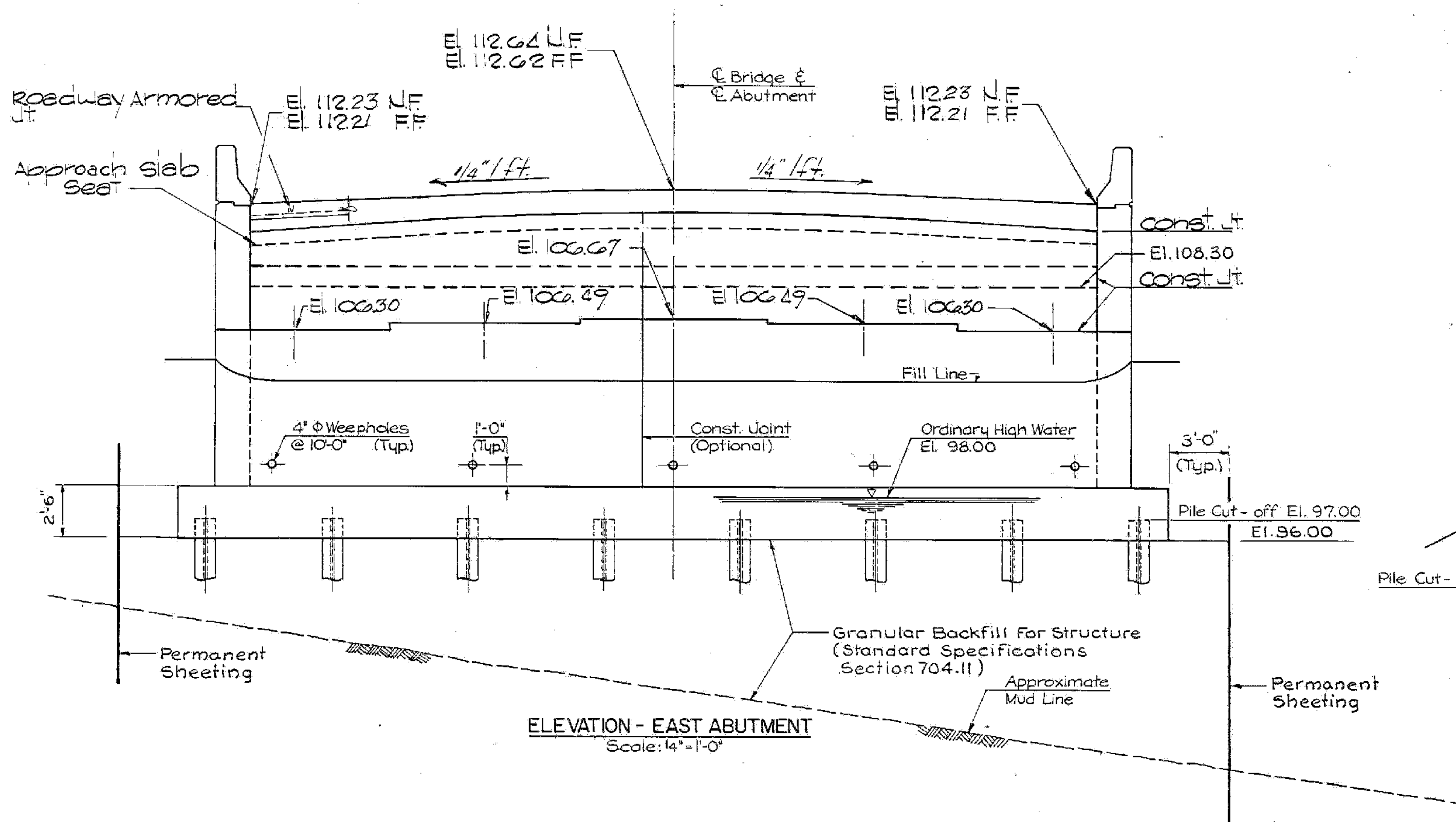


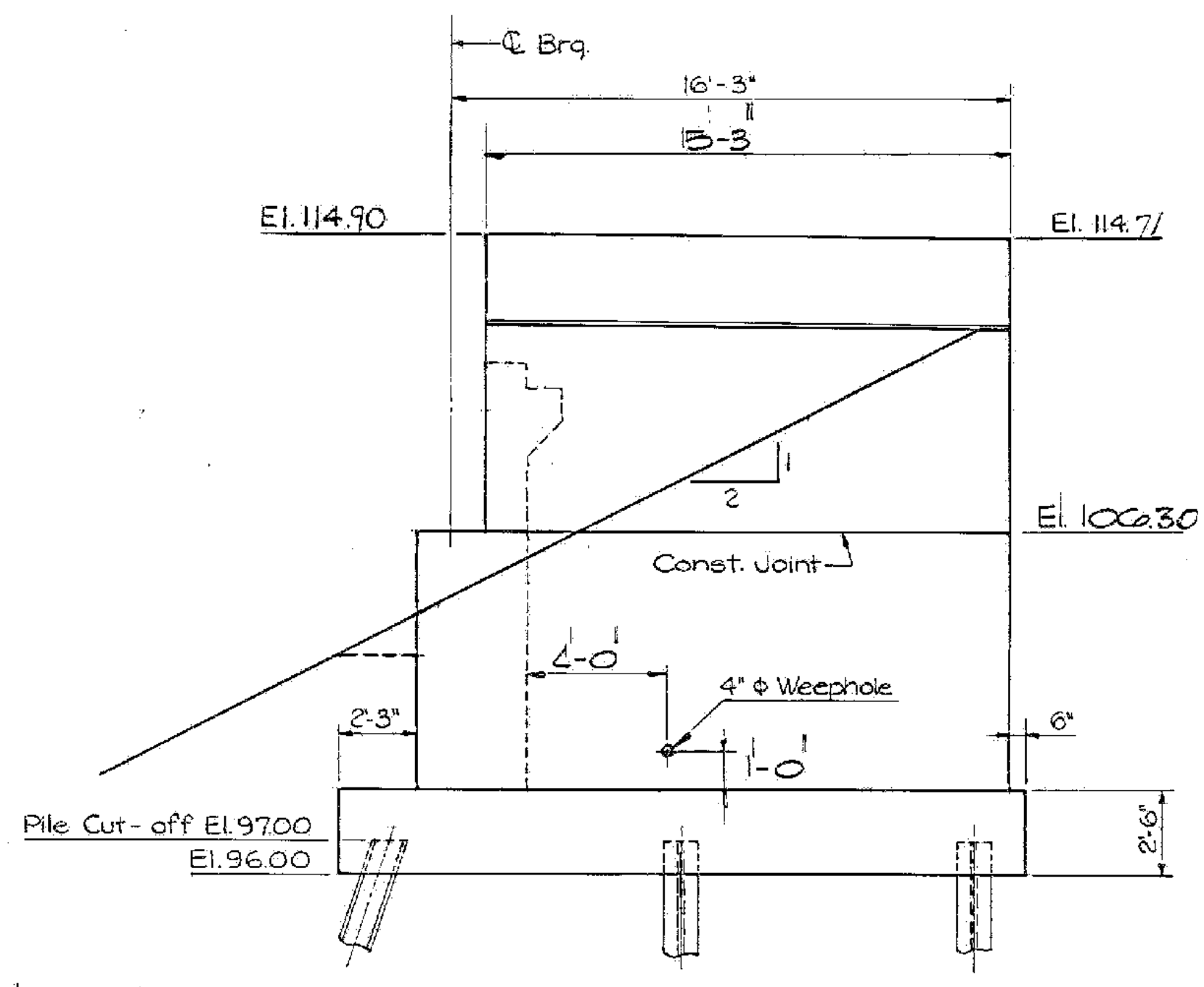
PLAN - EAST ABUTMENT
Scale: 1/4" = 1'-0"



FOOTING PLAN - EAST ABUTMENT
Scale: 1/4" = 1'-0"



ELEVATION - EAST ABUTMENT
Scale: 1/4" = 1'-0"



ELEVATION - NE. & S.E. WINGWALL
Scale: 1/4" = 1'-0"

NOTES:
1. For Section A-A & B-B See Sh. SS51

ALBURGH-ROUSES POINT
BHF MEMB(24)
SHEET 23 OF 50
FOR REFERENCE ONLY

STATE OF VERMONT	
AGENCY OF TRANSPORTATION	
TOWN OF ROUSES POINT NY. — ALBURGH VT.	Bridge No. 1
HIGHWAY NO. ROUTE 2	Log Sta. 0+00
	Surv. Sta.
EAST ABUTMENT	
(STEEL ALTERNATE)	
Designed by K.A.C.	Drawn by A.B.M.
Checked by J.S.J./R.M.C. date 10-26-84	Bridge Design Supervisor C.J.M./S.M. date 10-26-84
PROJECT ROUSES POINT BRIDGE REPLACEMENT	PROJECT NO. BRF 028-1(11)
Bridge Sheet No. SS 53	Sheet of

