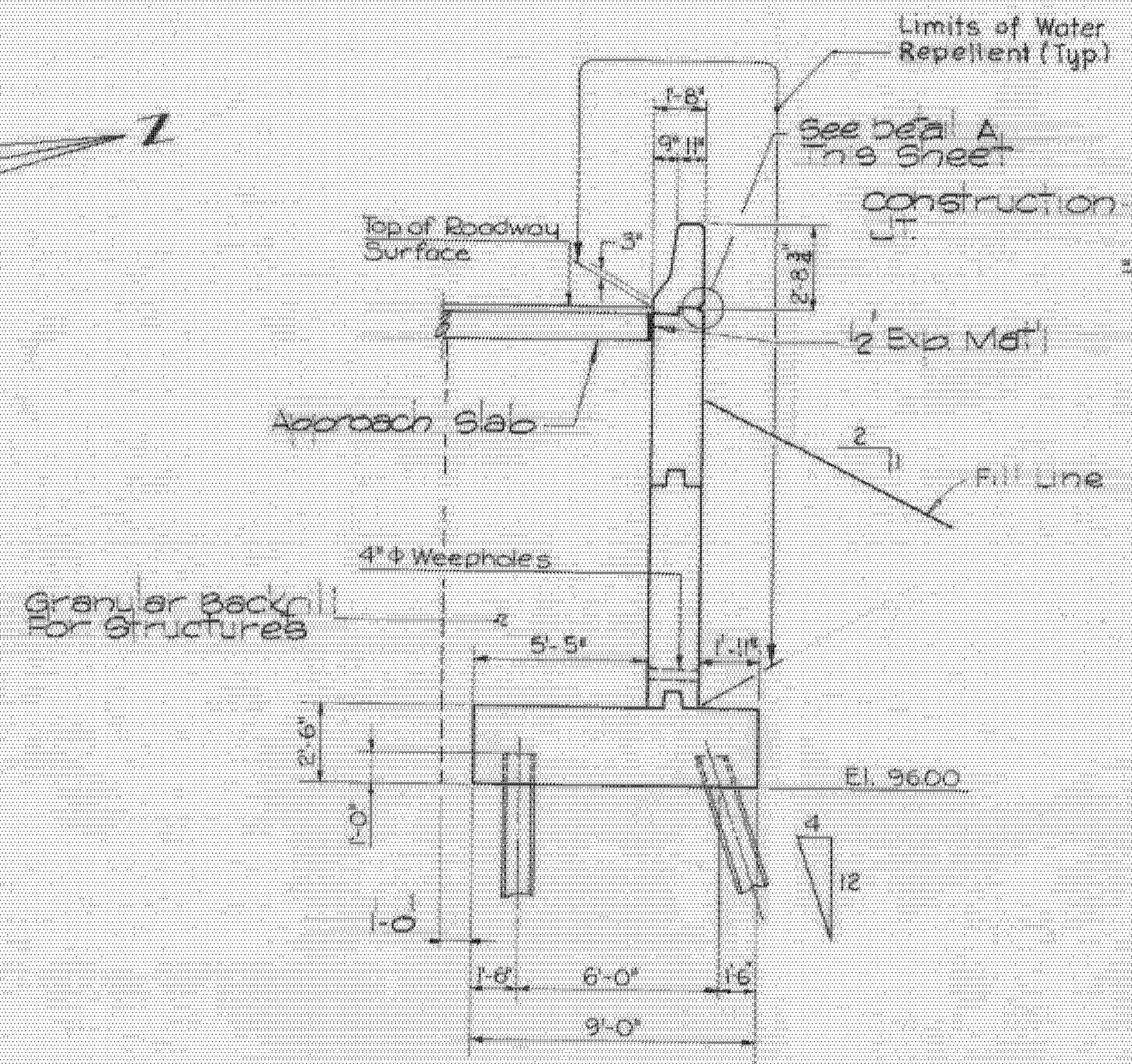
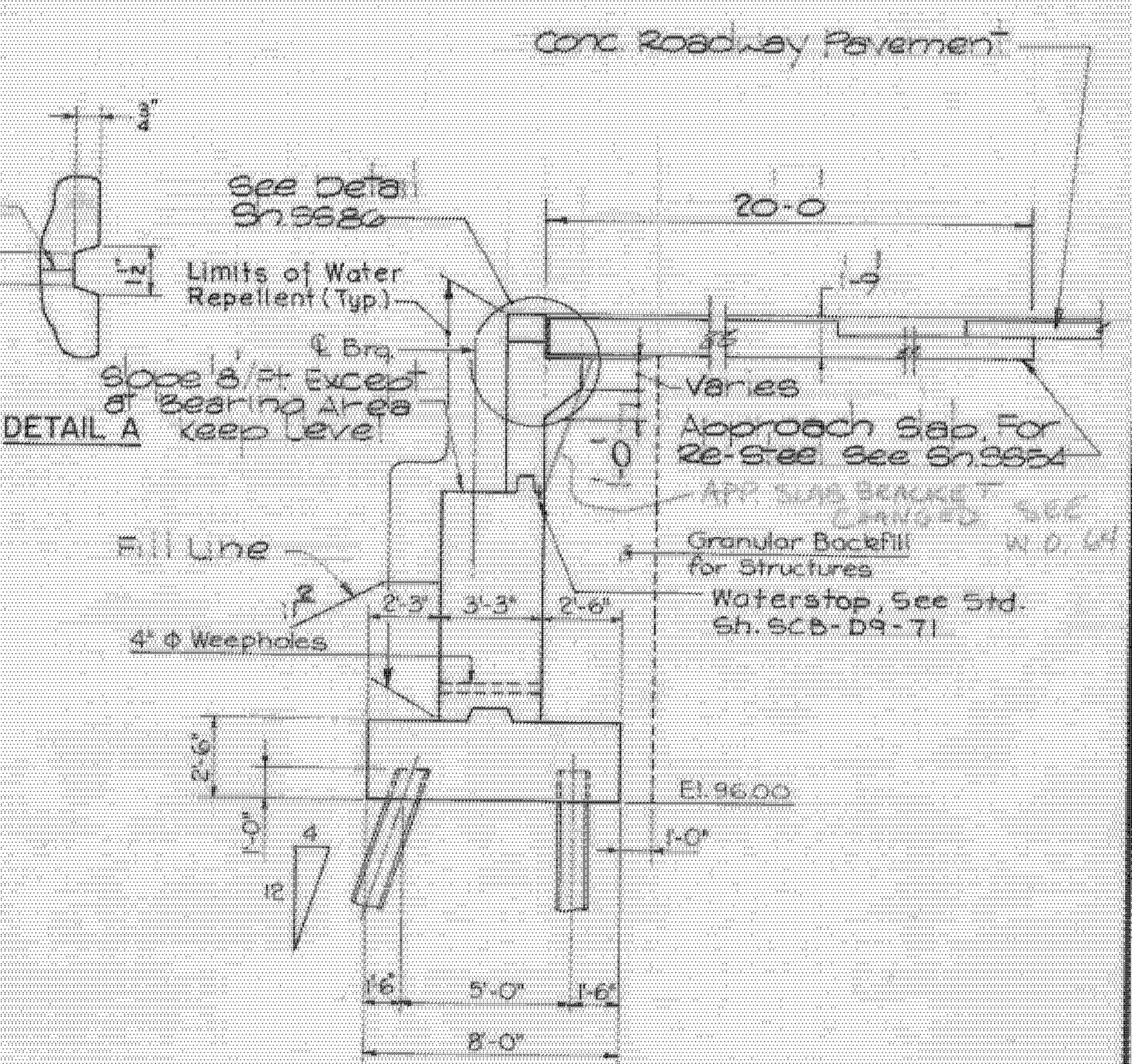


PLAN - WEST ABUTMENT
Scale: 1/4" = 1'-0"

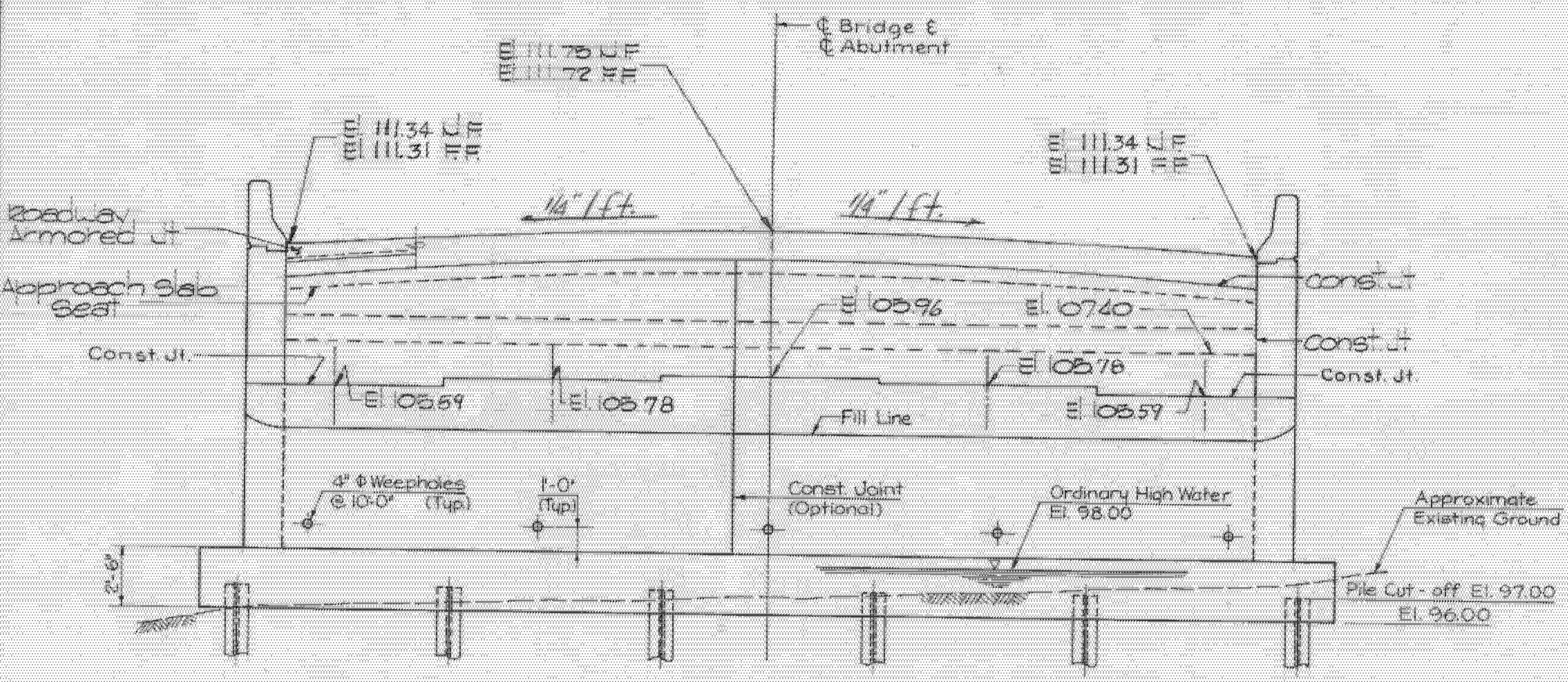


SECTION A-A
Scale: 1/4" = 1'-0"

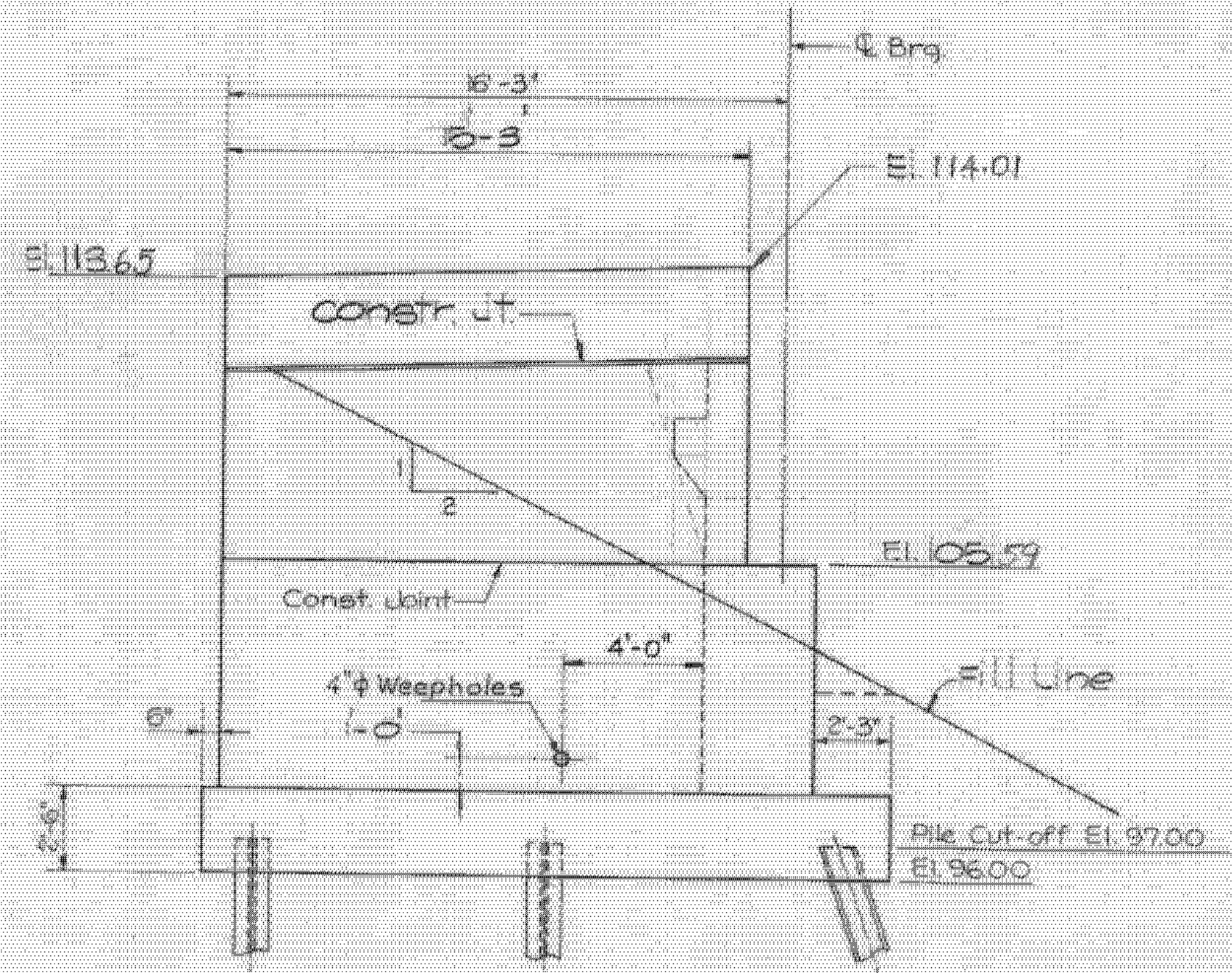


SECTION B-B
Scale: 1/4" = 1'-0"

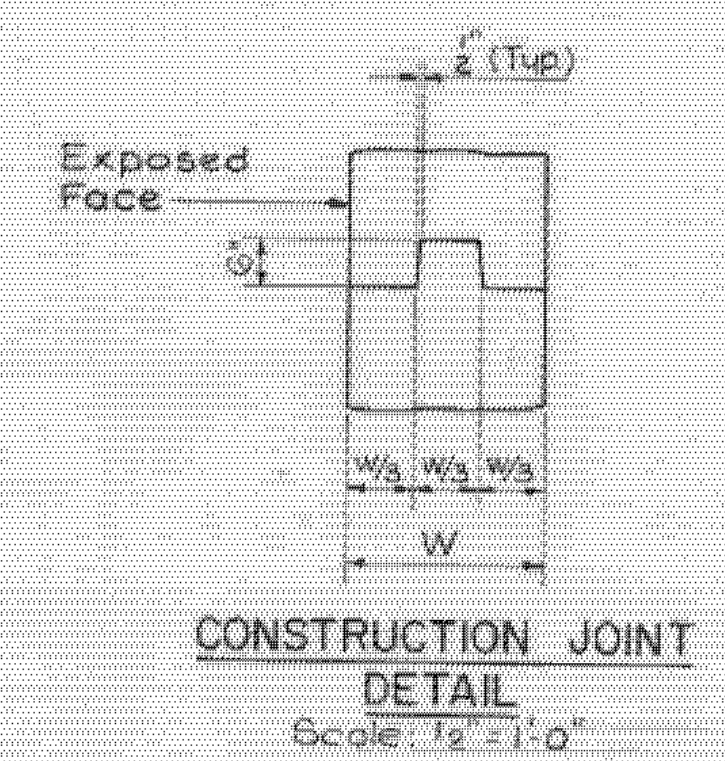
- NOTES:
1. For pile details see Sh. 5528
 2. For Reinforcing Details, See Sh. 5552
 3. All Concrete in Abutments to be Class B. $f_c = 3,500$ psi (Item 501.25)
 4. All Reinforcing Steel Shall Conform to ASTM Designation A615, Grade 60.



ELEVATION - WEST ABUTMENT
Scale: 1/4" = 1'-0"



ELEVATION - NW & SW WINGWALL
Scale: 1/4" = 1'-0"



CONSTRUCTION JOINT DETAIL
Scale: 1/2" = 1'-0"

ALBURGH-ROUSES POINT
BHF MEMB(24)
SHEET 21 OF 50
FOR REFERENCE ONLY

STATE OF VERMONT	
AGENCY OF TRANSPORTATION	
TOWN OF ROUSES POINT NY — ALBURGH VT	Bridge No. 1
HIGHWAY NO. ROUTE 2	Log Sta. 0+00
WEST ABUTMENT	
(STEEL ALTERNATE)	
Designed by K.A.C.	Drawn by A.B.M.
Checked by J.S.J.	Bridge Design Supervisor
date 10-26-84	C.J.M./S.M. date 10-26-84
PROJECT ROUSES POINT BRIDGE REPLACEMENT	PROJECT NO. BRF 028-1(11)
Bridge Sheet No. 555	Sheet of

