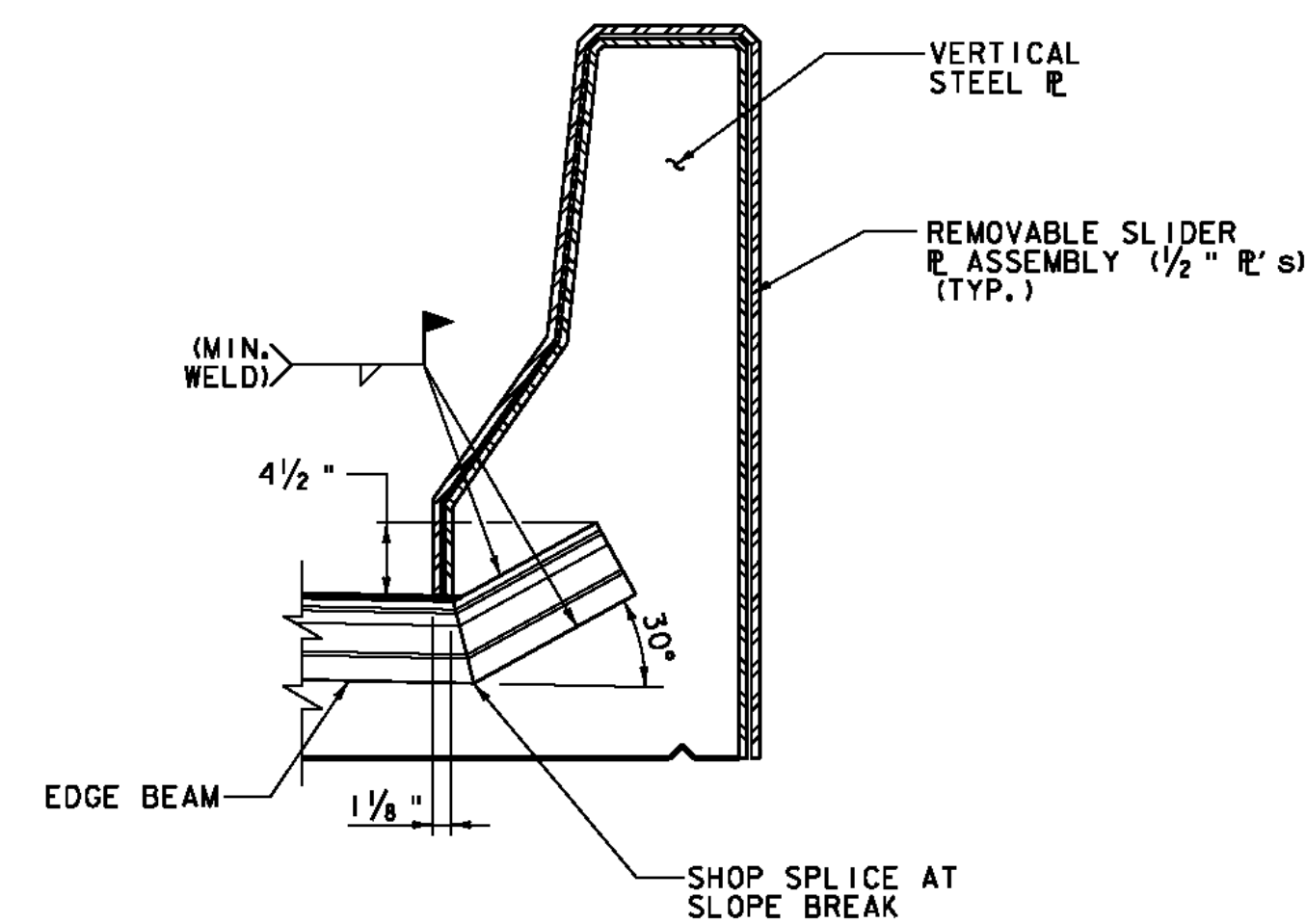
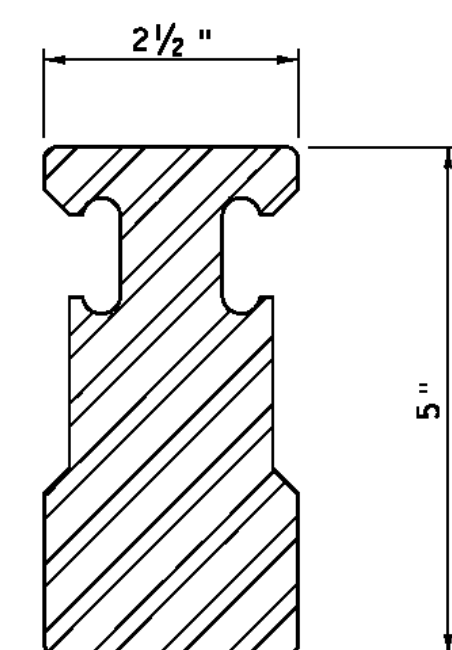


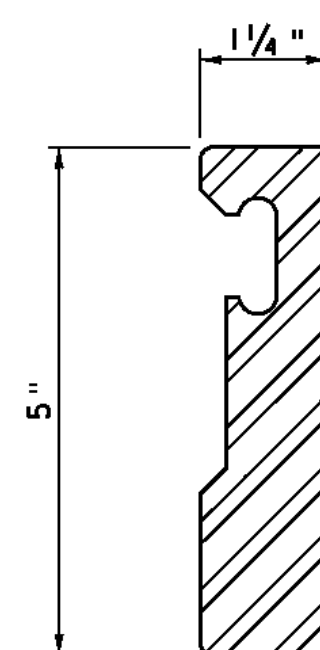
EXISTING SECTION G-G



PROPOSED SECTION G-G



SEPARATOR BEAM DETAIL



EDGE BEAM DETAIL

**3-SEAL EXPANSION JOINT
SLIDER PLATE ASSEMBLY
REMOVAL AND REPLACEMENT NOTES:**

1. THE EXISTING EDGE BEAM SHALL BE REMOVED FROM THE VERTICAL STEEL PLATE.
2. ALL DEBRIS SHALL BE REMOVED FROM THE VERTICAL STEEL PLATE AND THE PLATE SHALL BE GROUND SMOOTH.
3. ALL COSTS FOR REMOVING EXISTING SLIDING PLATE, EXISTING ANGLE, AND EXISTING JOINT WITH EDGE BEAMS SHALL BE PAID FOR UNDER ITEM 529.20, "PARTIAL REMOVAL OF STRUCTURE (EXPANSION JOINT, 3 SEALS)".
4. ALL COSTS FOR RESETTING EXISTING SLIDING PLATE SHALL BE PAID FOR UNDER ITEM 900.640, "SPECIAL PROVISION (BRIDGE EXPANSION JOINT, MODULAR) (3 SEALS)".
5. ALL MISSING 3/8" Ø MACHINE SCREWS SHALL BE REPLACED. COST SHALL BE INCIDENTAL TO ITEM 900.640, "SPECIAL PROVISION (BRIDGE EXPANSION JOINT, MODULAR) (3 SEALS)".

NOTES:

1. SEE MODULAR JOINT DETAILS SHEET 2 OF 4 FOR SECTION LOCATION.
2. SEE MODULAR JOINT DETAILS SHEET 1 OF 4 FOR EXPANSION JOINT NOTES.

3-SEAL EXPANSION JOINT DETAILS

NOT TO SCALE

PROJECT NAME: ALBURGH - ROUSES POINT

PROJECT NUMBER: BHF MEMB(24)

FILE NAME: sl0b032jnt3_detail.dgn

PLOT DATE: 12/23/2011

PROJECT LEADER: JPB

DRAWN BY: MWS

DESIGNED BY: JF

CHECKED BY: JPB

MODULAR JOINT DETAILS SHEET 4 OF 4 SHEET 14 OF 50