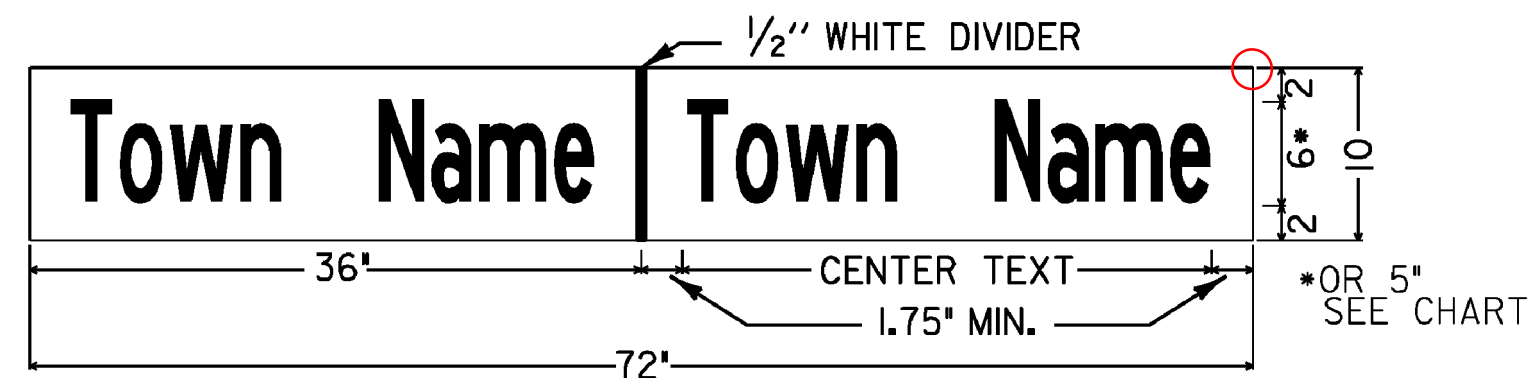


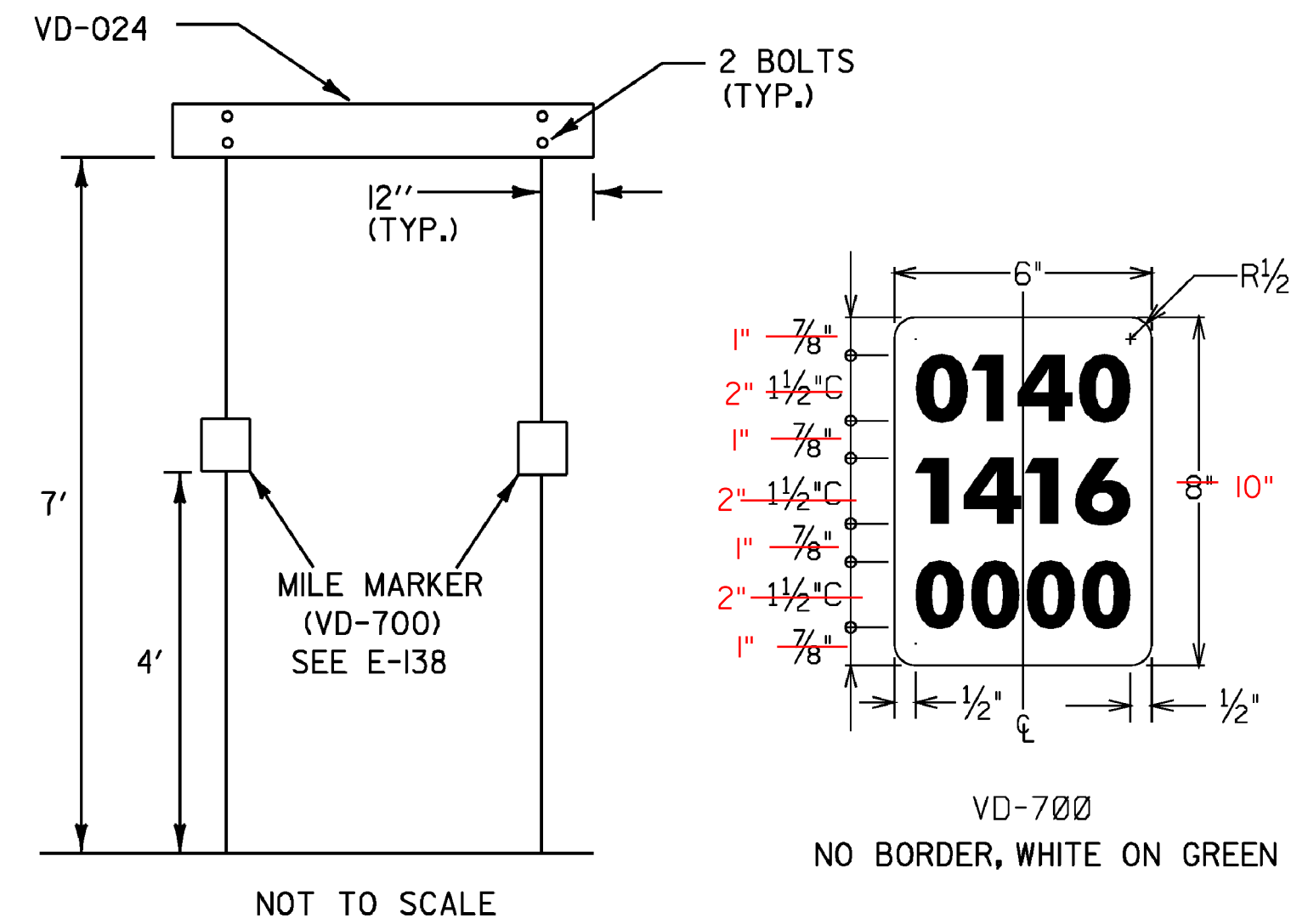
ROUNDED CORNERS (TYP.)



NO BORDER, WHITE ON GREEN

VD-024
VD-025 SIMILIAR

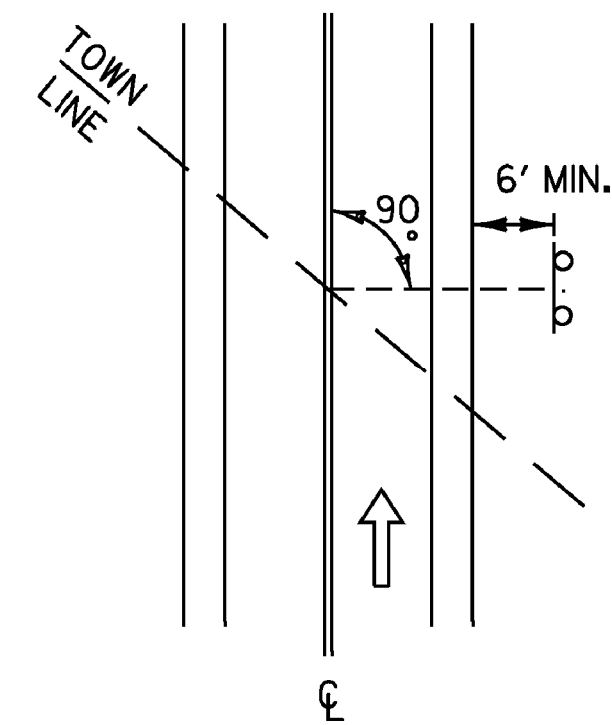
TOWN NAMES		
TEXT	FONT	DIMENSION
Brattleboro	B	32.50
Cavendish	C	32.50
Chester	C	28.46
Dummerston	C	32.50
Marlboro	C	32.50
Newfane	B	29.73
Springfield	B	32.50
Townshend	B	31.70
Weathersfield	B (5')	32.50



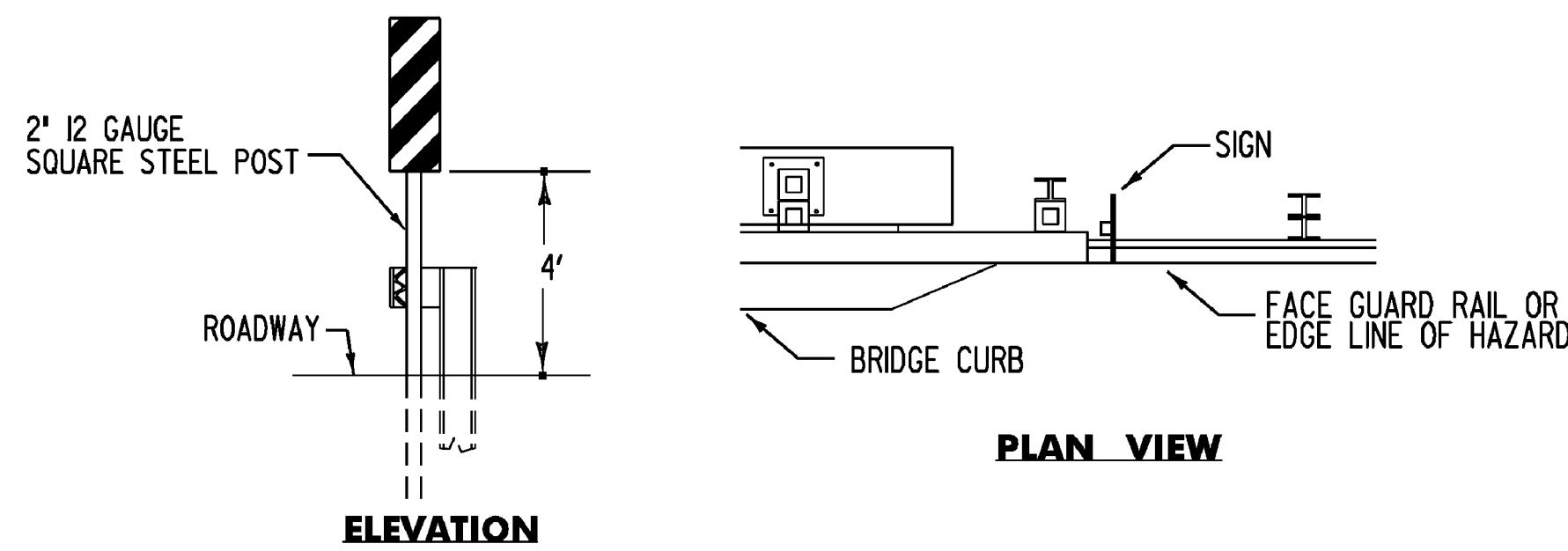
WHEN CROSSING COUNTY BOUNDARIES AN ADDITIONAL COUNTY LINE SIGN (VD-025) SHALL BE MOUNTED BELOW THE TOWN LINE SIGN (VD-024) MAINTAINING AN SEVEN FOOT CLEARANCE.

TOWN/COUNTY LINE SIGN NOTES:

- WORD TO WORD SPACING FOR COUNTIES AND TWO WORD TOWN NAMES IS ADJUSTABLE TO ACCOMMODATE DIMENSION REQUIREMENT.
- FONT SPACING MAY BE ADJUSTED TO MEET DIMENSION REQUIREMENT.
- DIMENSIONS SHOWN ARE APPROXIMATE AND MAY BE ADJUSTED SLIGHTLY TO ACCOMMODATE VARIOUS MANUFACTURER'S LETTER WIDTHS.



THE SIGN SHALL BE MOUNTED PARALLEL WITH THE ROADWAY, NORMALLY ON RIGHT SIDE TRAVELING WEST TO EAST OR SOUTH TO NORTH.



OBJECT MARKER SHOULD BE INSTALLED SO INSIDE EDGE OF SIGN IS AS CLOSE AS POSSIBLE TO FACE OF GUARD RAIL OR INSIDE EDGE OF HAZARD.

SIGN SHALL BE MOUNTED SO THE DIAGONAL STRIPES SLOPE DOWNWARDS TOWARD ROAD CENTERLINE.

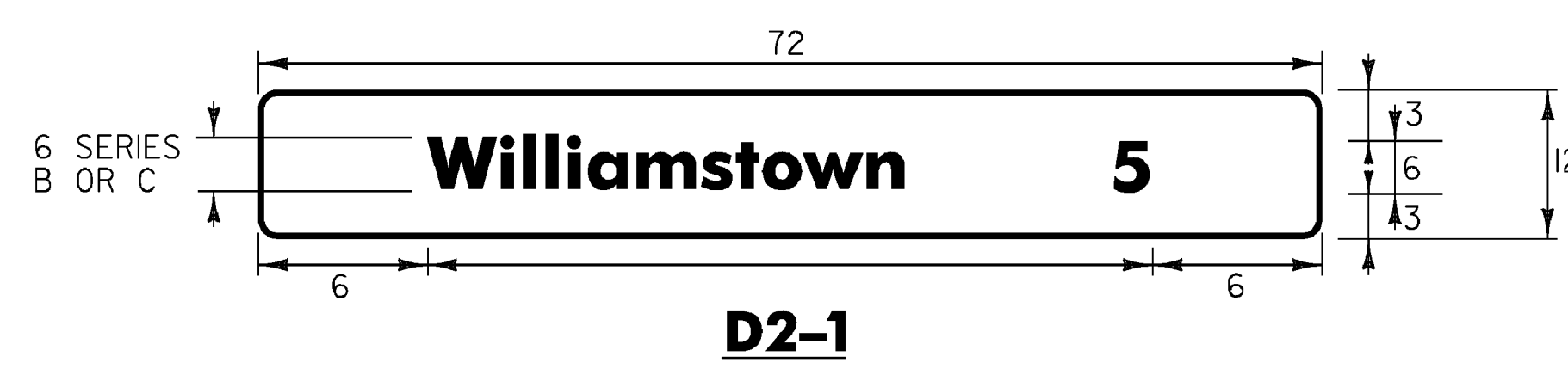
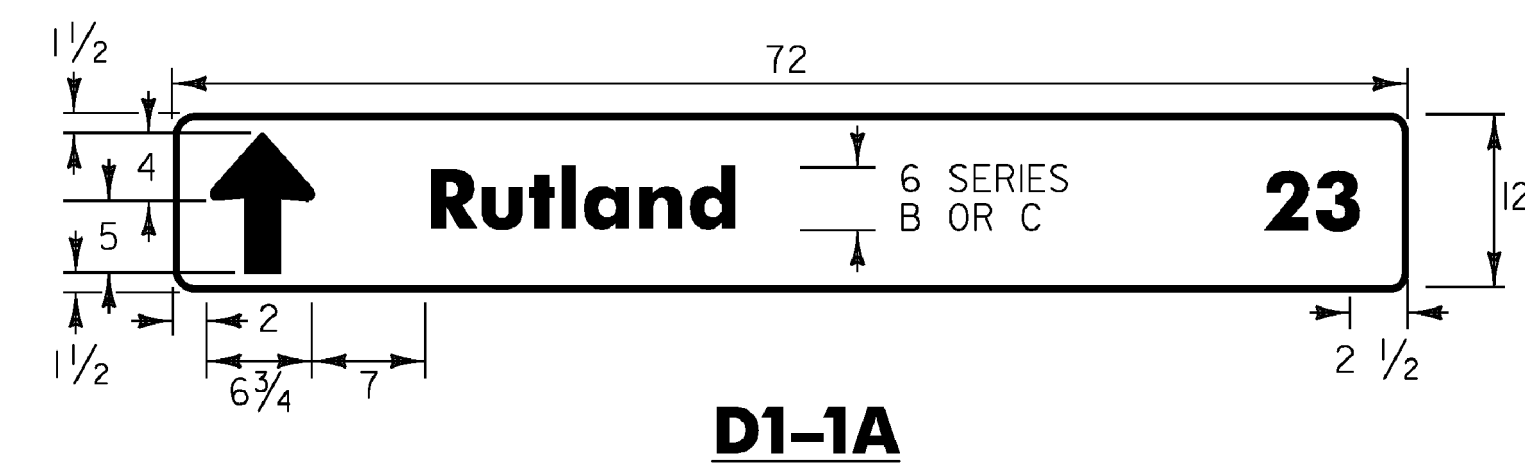
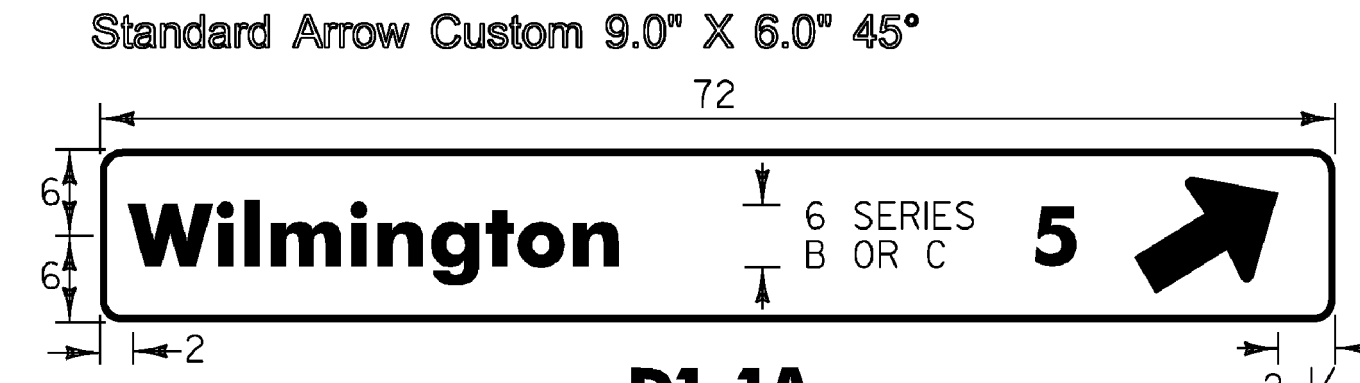
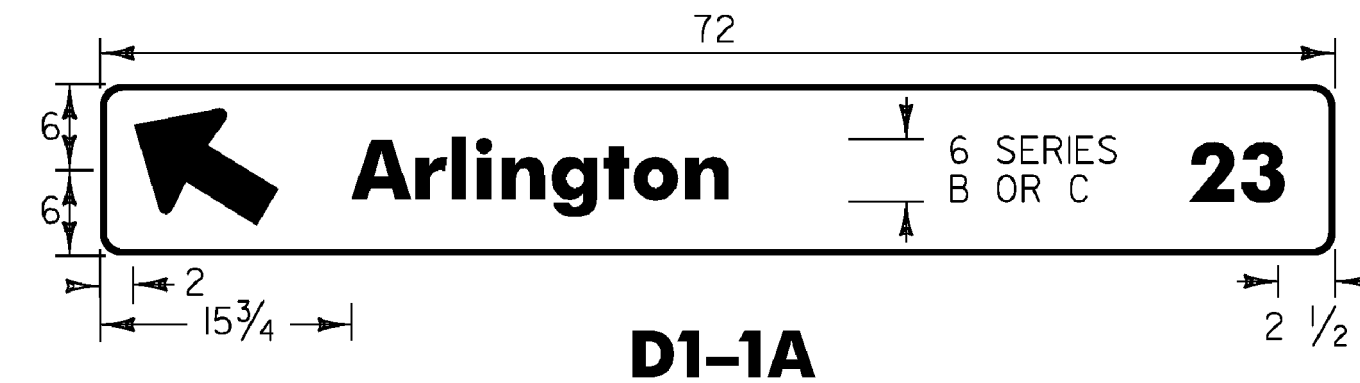
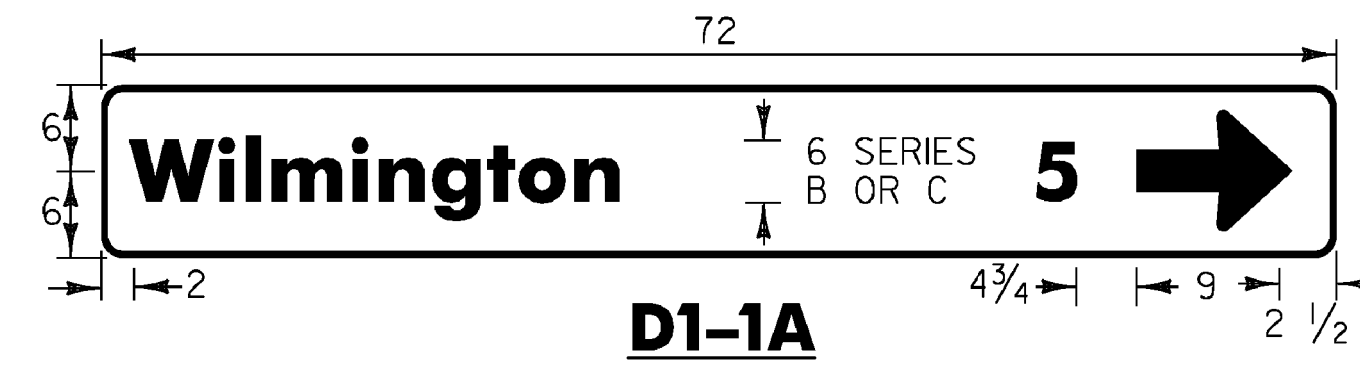
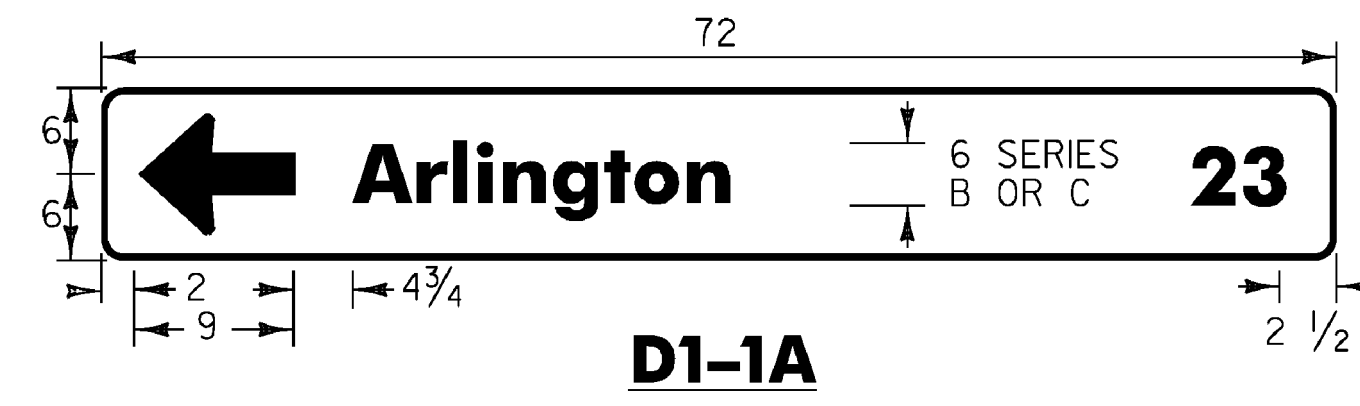
ASSEMBLY HARDWARE SHALL CONFORM TO SECTION 750.12 (a). RIVETS SHALL NOT BE USED.

SIGN BASE MATERIAL SHALL BE 0.100\"/>

MOUNTING HARDWARE FOR SIGNS ATTACHED TO ABUTMENTS OR HAZARDS SHALL BE APPROVED BY RESIDENT ENGINEER.

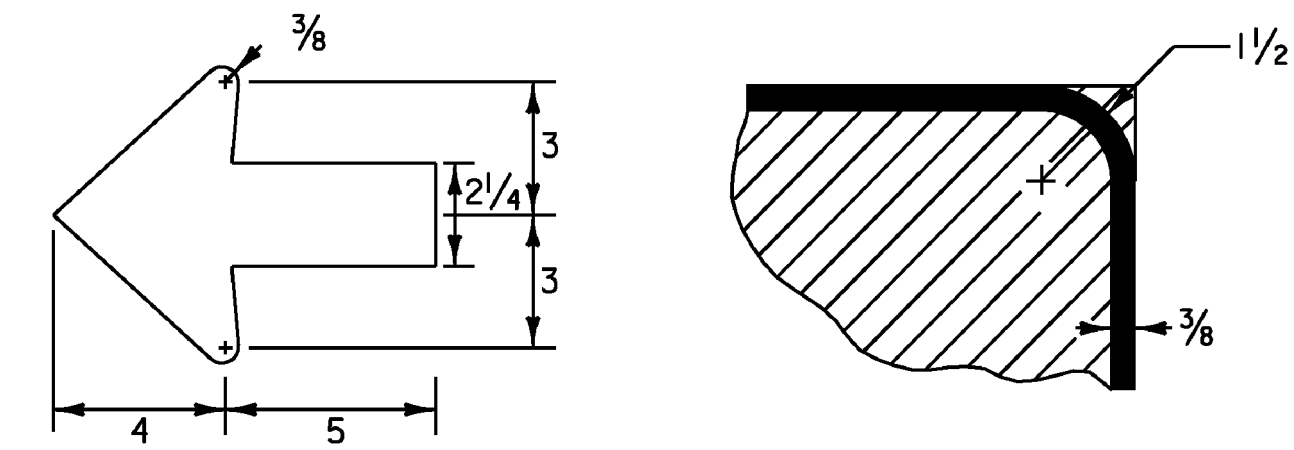
PAYMENT FOR ALL MATERIALS AND LABOR NECESSARY TO ATTACH QM-3 SIGN TO ANYTHING OTHER THAN SIGN POST WILL BE PAID FOR AS ONE 2\"/>

QM-3 INSTALLATION

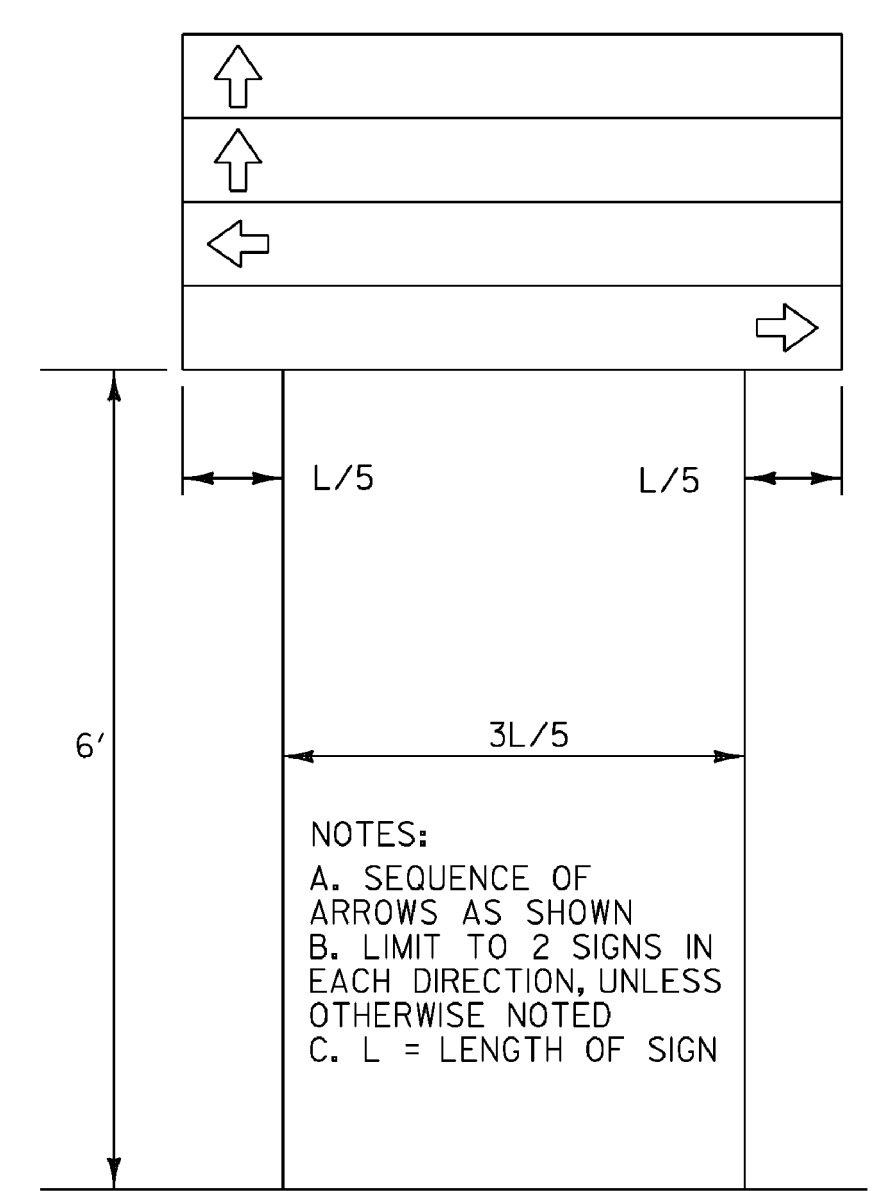


STANDARD DESTINATION SIGN NOTES
D1-1, D1-1A, D2-1

THE DESTINATION SIGNS SHOWN ON THIS SHEET SHALL HAVE WHITE RETROREFLECTIVE ASTM TYPE III OR IV TEXT, ARROWS AND BORDERS ON A GREEN RETROREFLECTIVE ASTM TYPE III OR IV BACKGROUND.



STANDARD ARROW BORDER DETAIL



DESTINATION ASSEMBLY

NOTES:
A. SEQUENCE OF ARROWS AS SHOWN
B. LIMIT TO 2 SIGNS IN EACH DIRECTION, UNLESS OTHERWISE NOTED
C. L = LENGTH OF SIGN

ALL DIMENSIONS SHOWN IN INCHES EXCEPT WHERE NOTED.

PROJECT NAME:	STATEWIDE - SOUTHEAST REGION
PROJECT NUMBER:	STPG SIGN (31)
FILE NAME:	IOB010.SD-I
PROJECT LEADER:	A. GAMBLE
DESIGNED BY:	M. MILLER
SIGN DETAILS I	
PLOT DATE:	07-OCT-2010
DRAWN BY:	M. MILLER
CHECKED BY:	A. GAMBLE
SHEET	4 OF 175