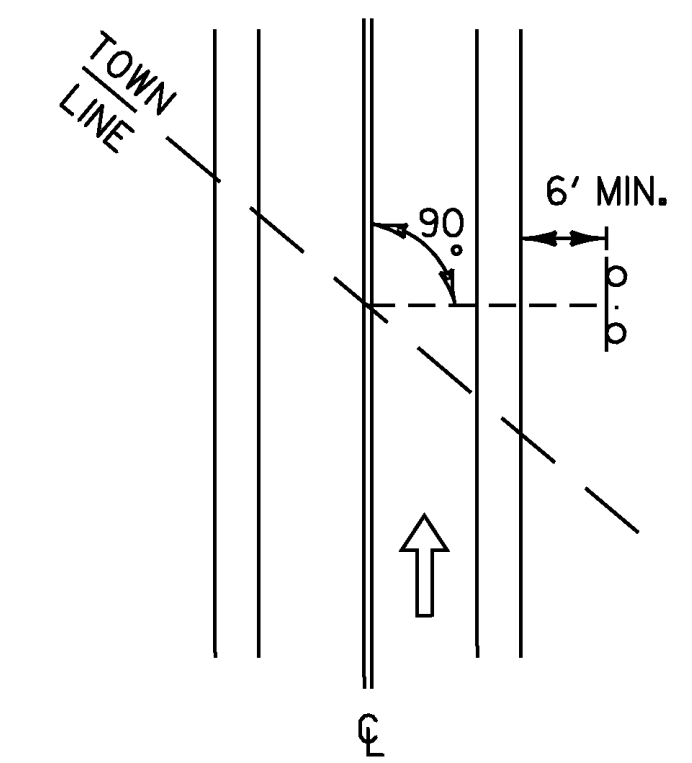


WHEN CROSSING COUNTY BOUNDARIES AN ADDITIONAL COUNTY LINE SIGN SHALL BE MOUNTED BELOW THE TOWN LINE SIGN MAINTAINING A SEVEN FOOT CLEARANCE.

TEXT	SERIES	DIMENSIONS
ADDISON CO.	B	32.50
BENNINGTON CO.	B (5")	32.50
CALEDONIA CO.	B (5")	32.50
CHITTENDEN CO.	B (5")	32.50
ESSEX CO.	C	32.50
FRANKLIN CO.	B (5")	32.50
GRAND ISLE CO.	B (5")	32.50
LAMOILLE CO.	B (5")	32.50
ORANGE CO.	B	32.50
ORLEANS CO.	B	32.50
RUTLAND CO.	B	32.50
WASHINGTON CO.	B (5")	32.50
WINDHAM CO.	B	32.50
WINDSOR CO.	B	32.50

VD-025



THE SIGN SHALL BE MOUNTED PARALLEL WITH THE ROADWAY, NORMALLY ON RIGHT SIDE TRAVELING WEST TO EAST OR SOUTH TO NORTH.

VD-024
VD-025 SIMILIAR

NOTES:

1. WORD TO WORD SPACING FOR MULTIPLE TEXT TOWN NAMES IS ADJUSTABLE TO ACCOMMODATE DIMENSION REQUIREMENTS.
2. DIMENSIONS SHOWN ARE APPROXIMATE AND MAY BE ADJUSTED SLIGHTLY TO ACCOMMODATE VARIOUS MANUFACTURER'S LETTER WIDTHS.
3. ALL DIMENSIONS ARE IN INCHES UNLESS OTHERWISE NOTED

TOWN/COUNTY LINE SIGN NOTES:

1. THE SIGN BASE MATERIAL SHALL BE HIGH DENSITY OVERLAIN PLYWOOD 5/8 INCH THICK OR ALUMINUM SHEETING 0.125" MINIMUM THICKNESS.

PROJECT NAME:	STATEWIDE - NORTHWEST REGION
PROJECT NUMBER:	STPG SIGN (30)
FILE NAME:	10b008TS.DGN
PROJECT LEADER:	A. GAMBLE
DESIGNED BY:	T. GUAZZONI
COUNTY / TOWN LINE DESIGN	
PLOT DATE:	12-AUG-2010
DRAWN BY:	T. GUAZZONI
CHECKED BY:	A. GAMBLE
SHEET	4 OF 131