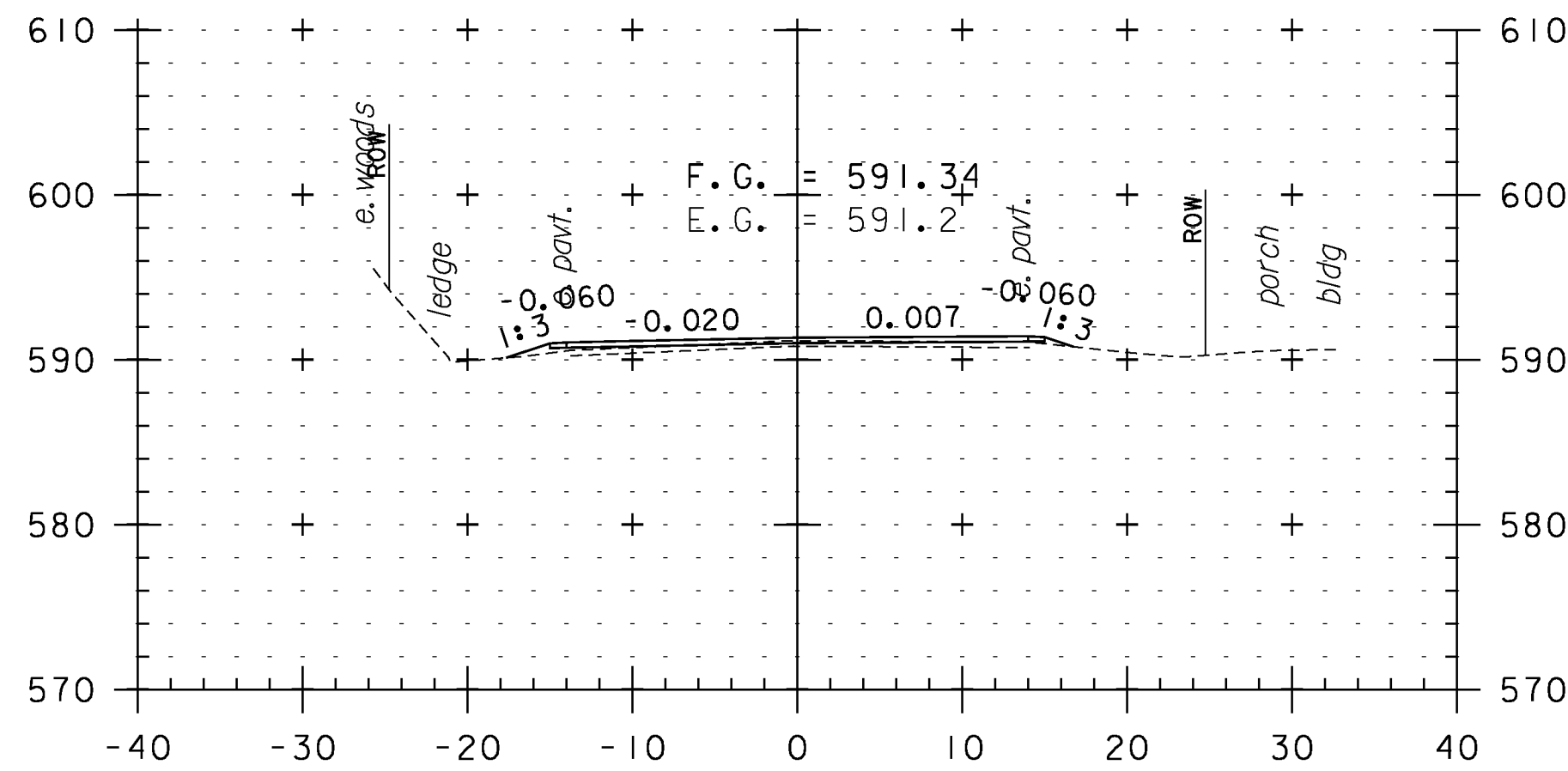
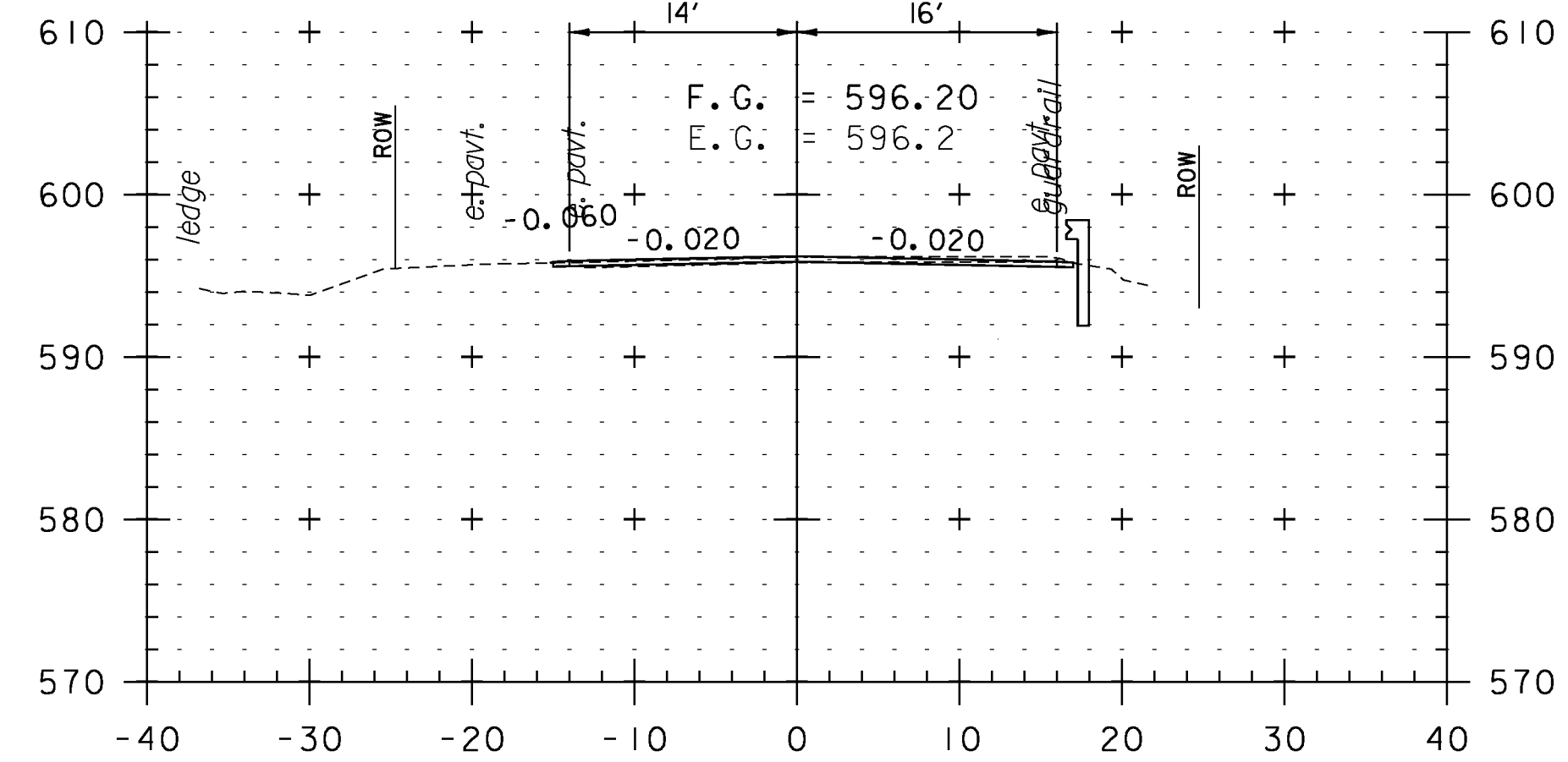


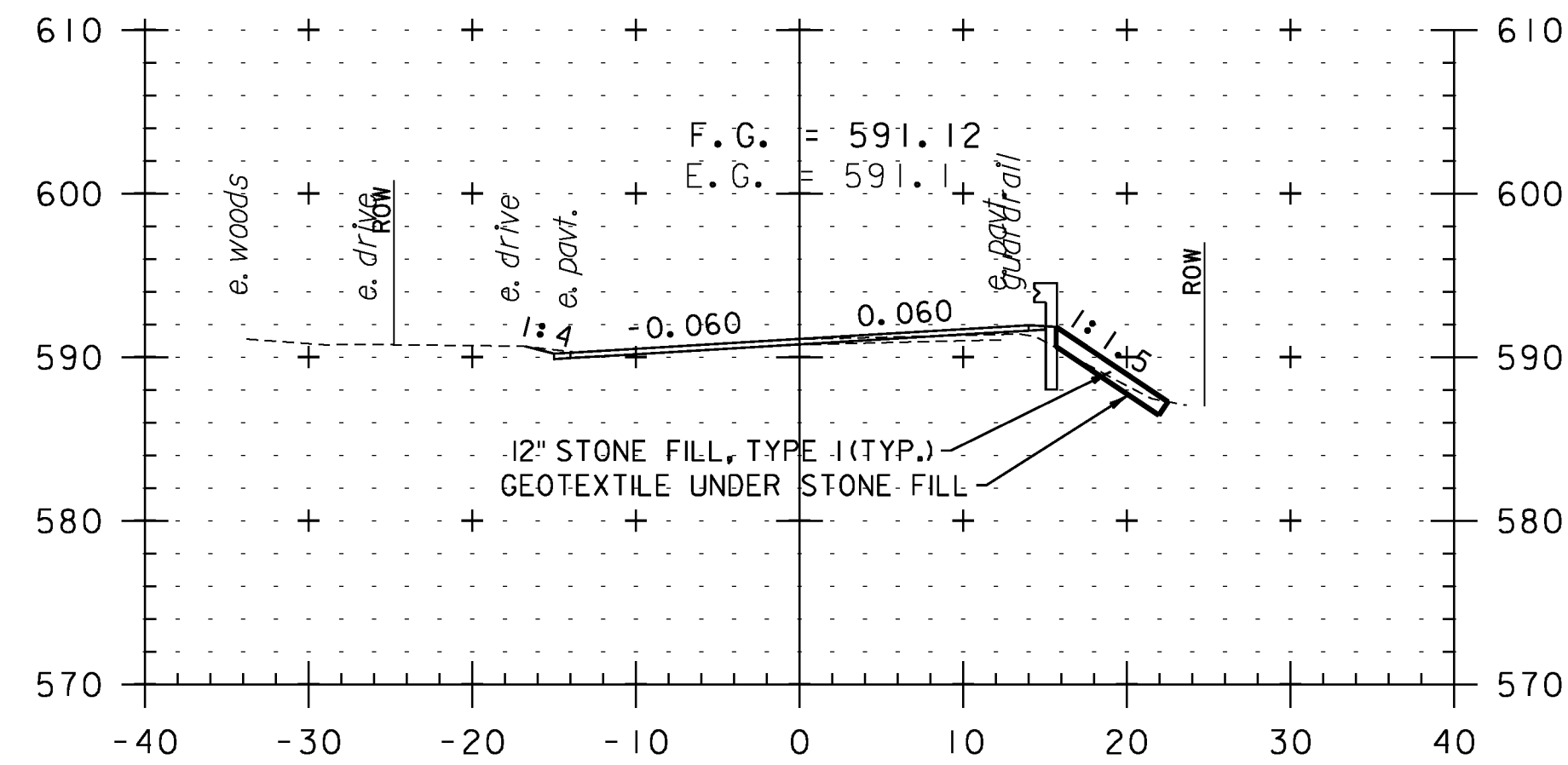
104+00



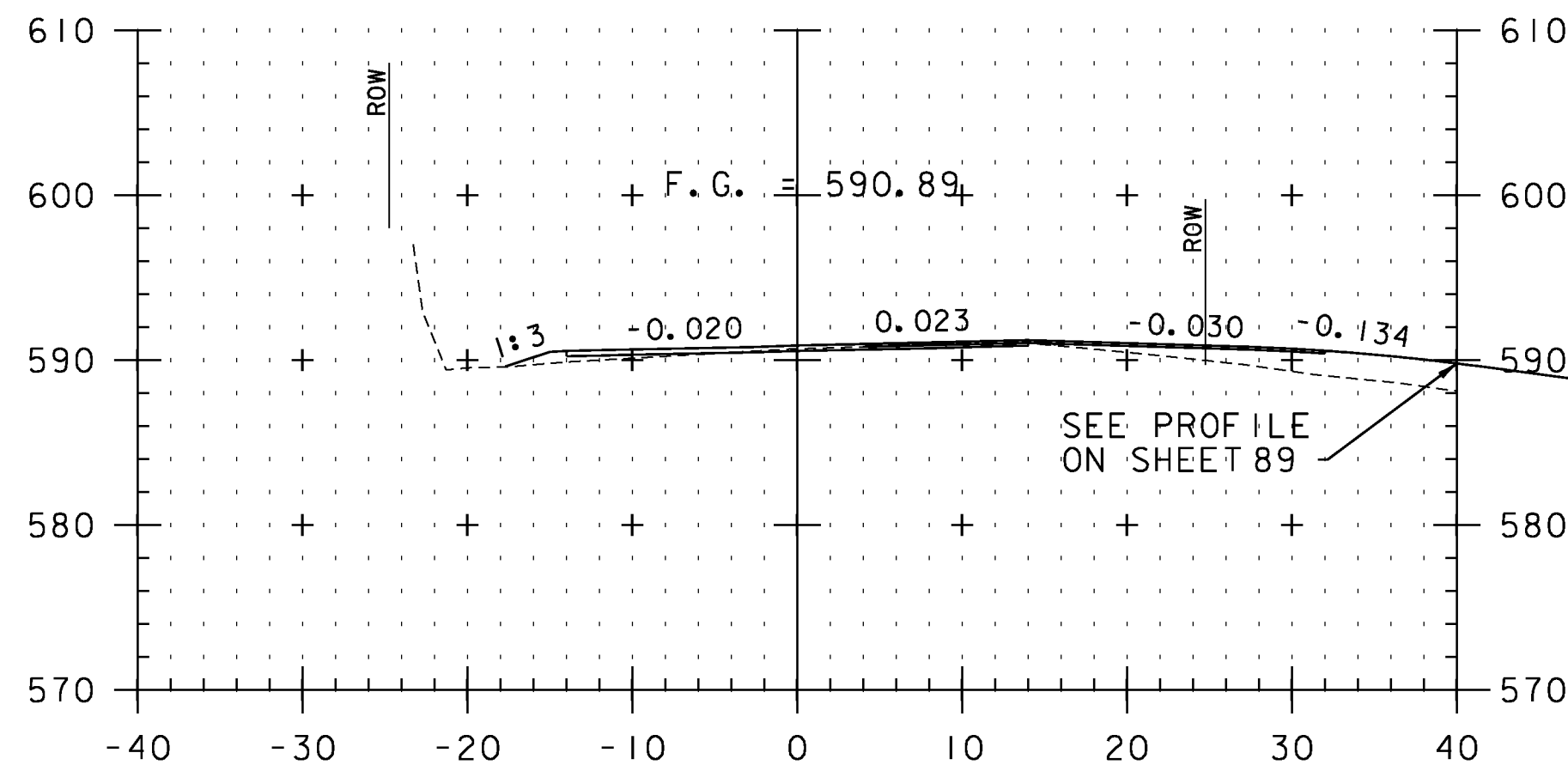
105+00



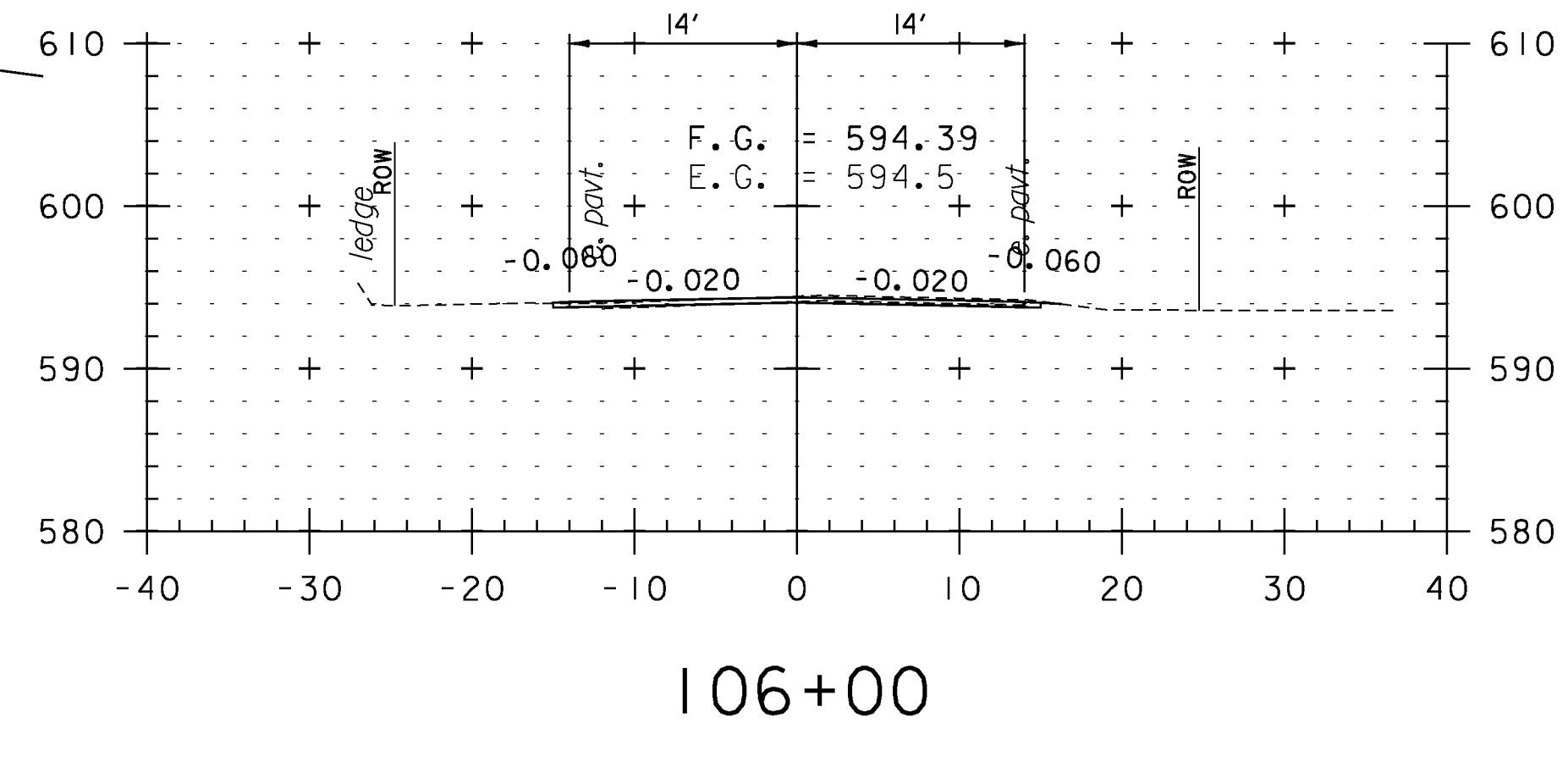
106+50



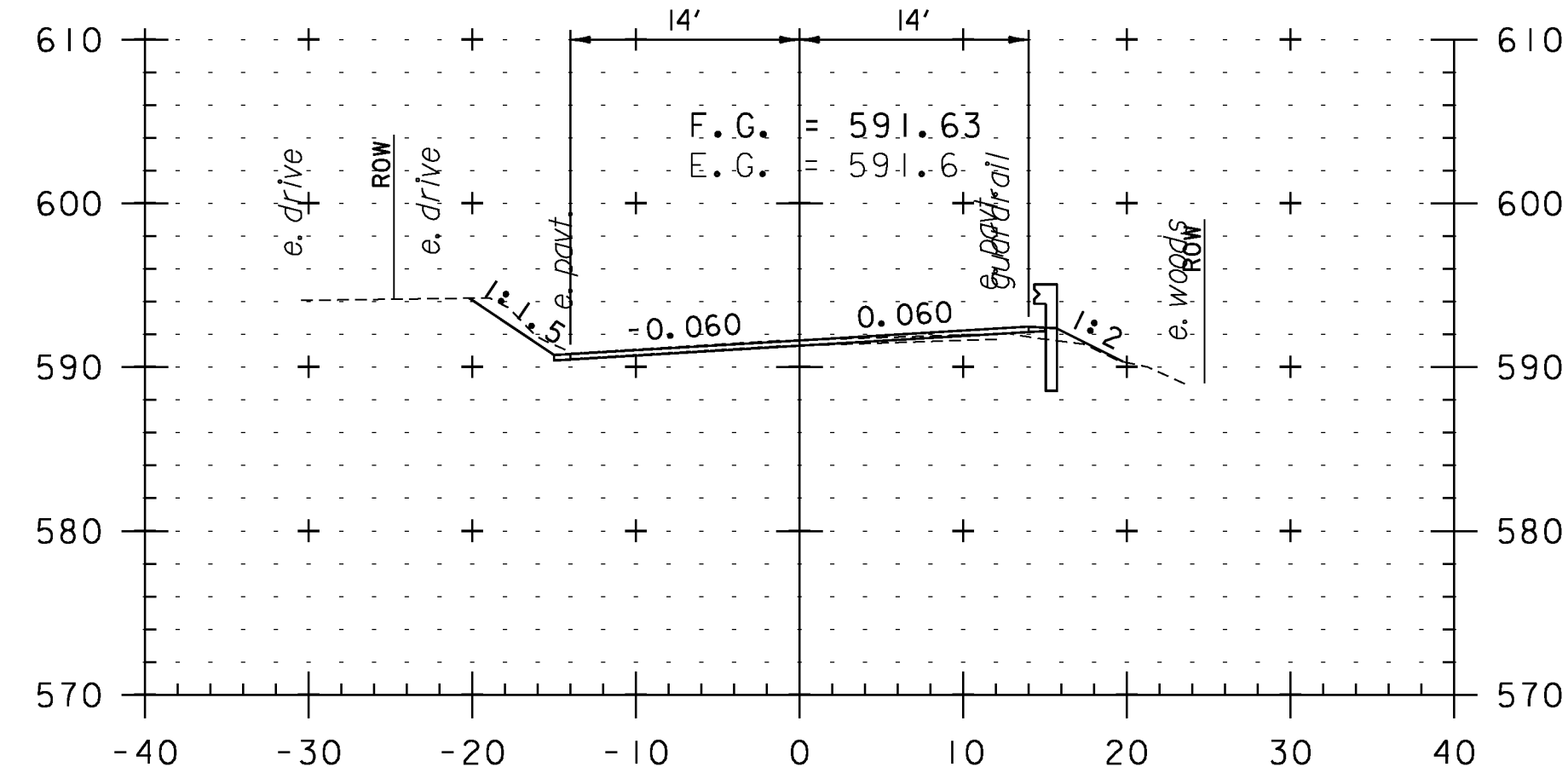
103+50



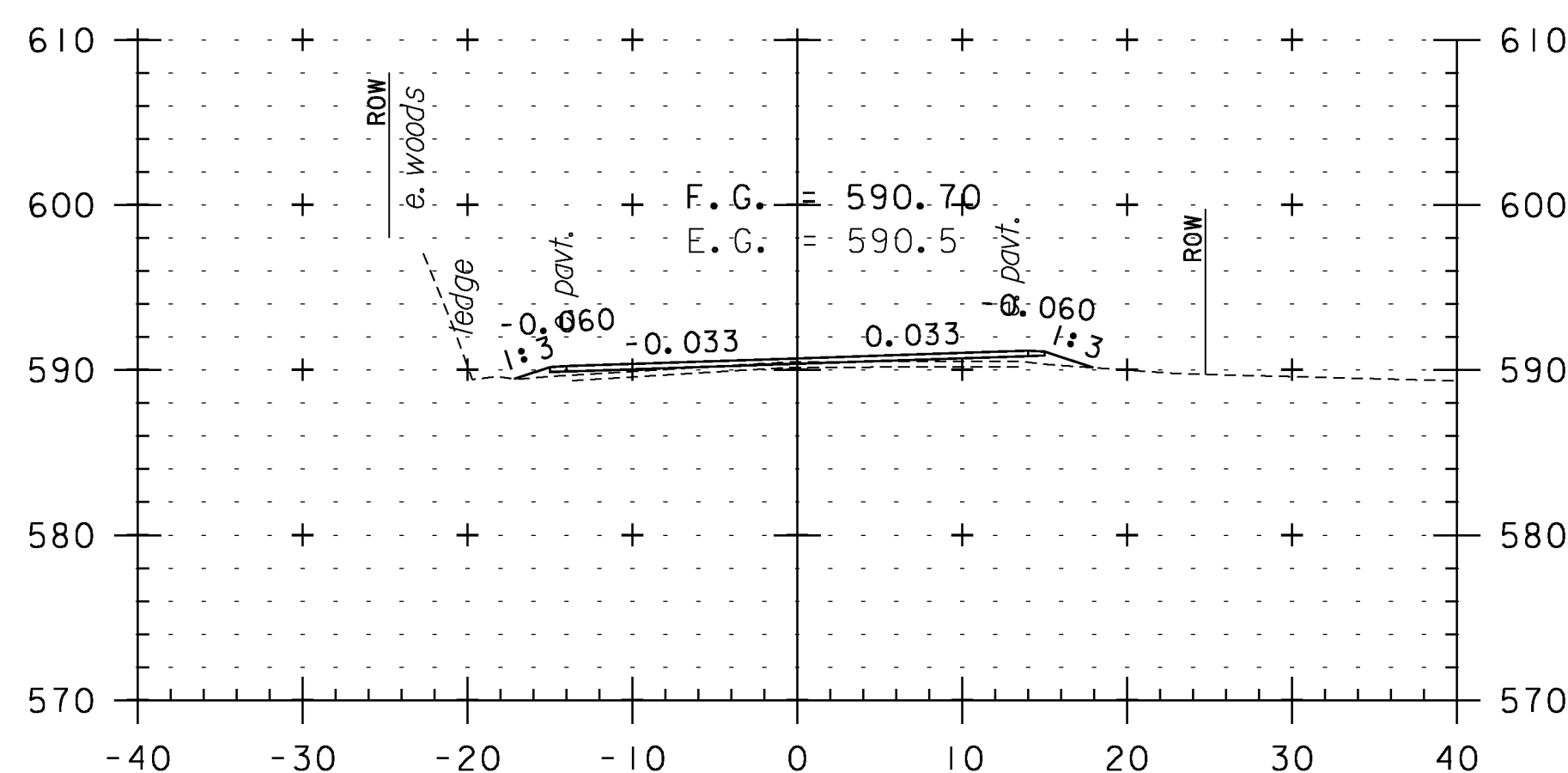
104+69
TH 94



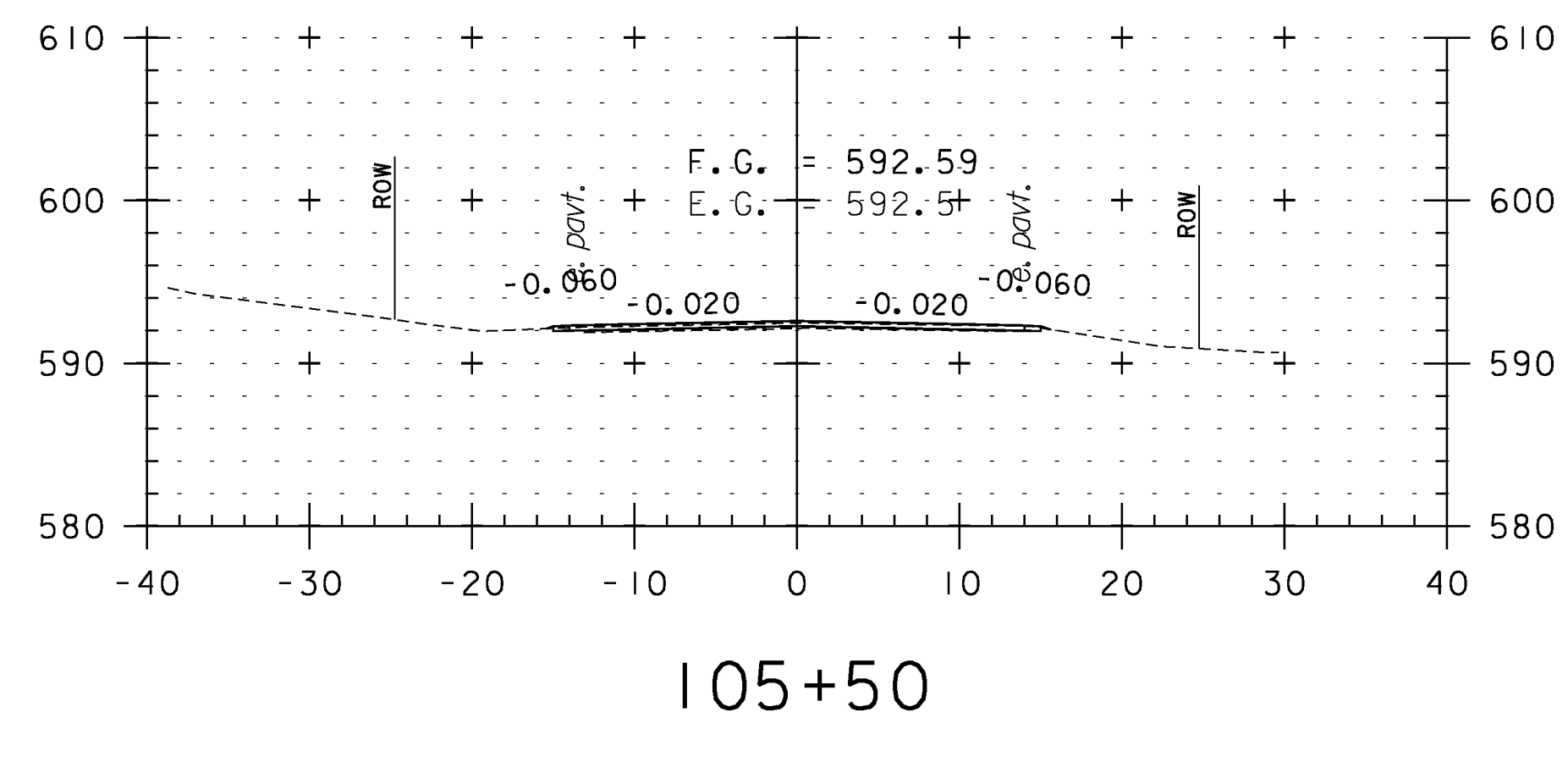
106+00



103+00



104+50



105+50

CROSS SECTION SHEET 9

PROJECT NAME: WEATHERSFIELD

PROJECT NUMBER: STP 2913(I)

FILE NAME: I0c228

PROJECT LEADER: PTS

DESIGNED BY: NLL

IPARM FILE NAME: pI0c228_99

PLOT DATE: 2/7/2013

DRAWN BY: WWG

CHECKED BY: PTS

SHEET 99 OF 234



STA. 103+00 TO STA. 106+50