

TEMPORARY 4" WHITE LINE, PAINT
 DURABLE 4" WHITE LINE (OPTION BID ITEM)
 321+50 TO 322+31 SOLID LT
 321+50 TO 326+95 SOLID RT
 322+31 TO 322+60 SOLID LT (TH 29)
 322+80 TO 323+10 SOLID LT (TH 29)
 323+10 TO 331+50 SOLID LT
 326+95 TO 327+25 SOLID RT (TH 1)
 327+55 TO 327+85 SOLID RT (TH 1)
 327+85 TO 331+50 SOLID RT

TEMPORARY 4" YELLOW LINE, PAINT
 DURABLE 4" YELLOW LINE (OPTION BID ITEM)
 321+50 TO 322+52 SOLID LT & RT
 322+71 DOUBLE SOLID LT (TH 29) (21' LONG)
 322+92 TO 327+20 SOLID LT & RT
 327+40 DOUBLE SOLID RT (TH 1) (19' LONG)
 327+60 TO 331+50 SOLID LT & RT

TEMPORARY 24" STOP BAR, PAINT
 DURABLE 24" STOP BAR (OPTION BID ITEM)
 322+50 TO 322+70 LT (TH 29)
 327+41 TO 327+65 RT (TH 1)

TEMPORARY LETTER OR SYMBOL, PAINT
 DURABLE LETTER OR SYMBOL (OPTION BID ITEM)
 322+64 LT - "STOP" (TH 29)
 327+49 RT - "STOP" (TH 1)

6 INCH UNDERDRAIN PIPE
 322+00 TO 326+75 RT

STEEL BEAM GUARDRAIL, GALVANIZED
 327+01 TO 328+01 LT
 327+86 TO 328+00 RT
 328+25 TO 328+42.5 RT
 328+26 TO 328+88.5 LT
 331+13 TO 331+50 RT

STEEL BEAM GUARDRAIL, GALVANIZED
 W/8 FEET POSTS
 330+79 TO 331+50 LT

STEEL BEAM GUARDRAIL,
 GALVANIZED/NESTED
 328+00 TO 328+25 RT
 328+01 TO 328+26 LT

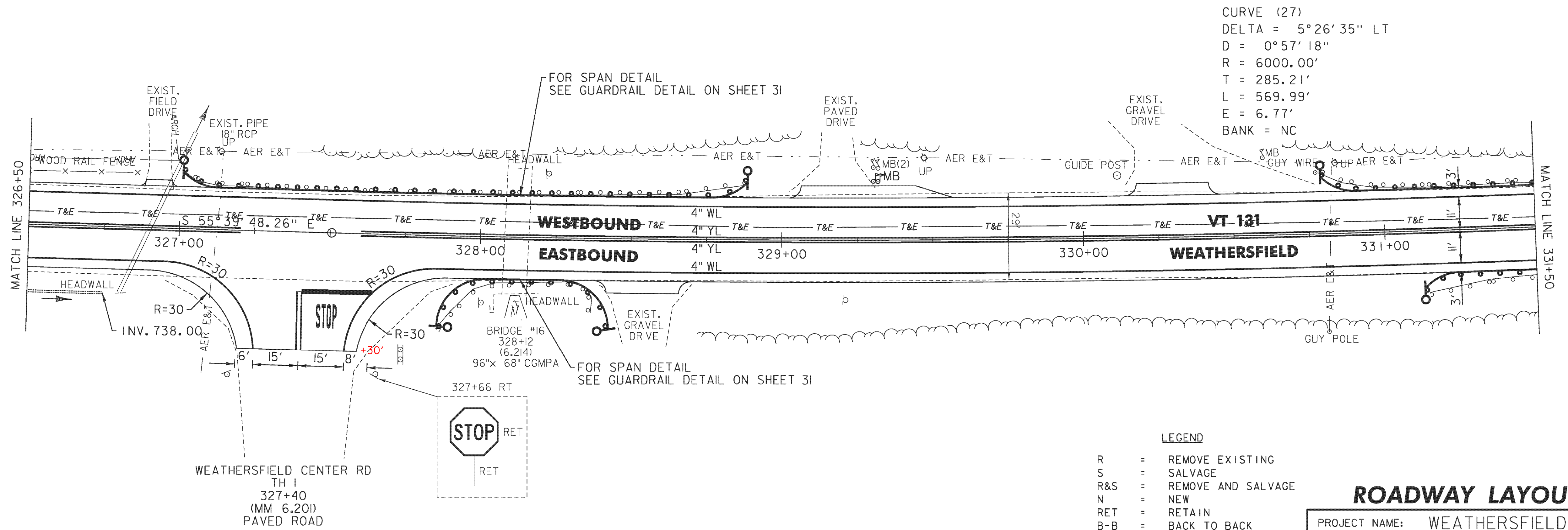
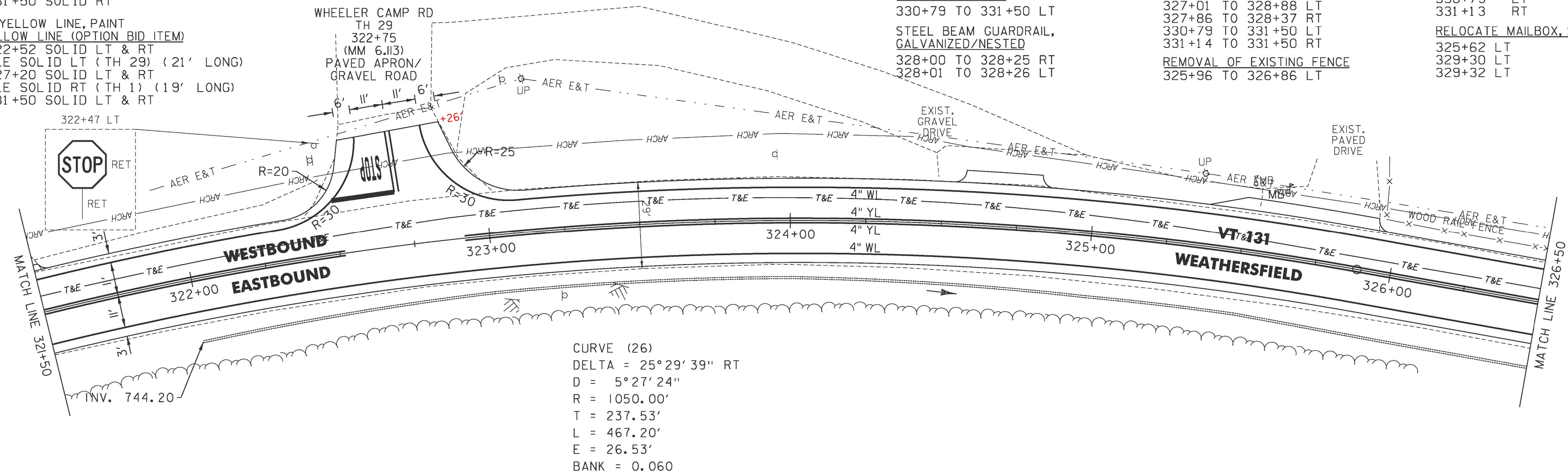
ANCHOR FOR STEEL BEAM RAIL
 327+01 LT
 327+86 RT
 328+42.5 RT
 328+88.5 LT
 330+79 LT
 331+13 RT

REMOVAL AND DISPOSAL OF GUARDRAIL
 327+01 TO 328+88 LT
 327+86 TO 328+37 RT
 330+79 TO 331+50 LT
 331+14 TO 331+50 RT
 REMOVAL OF EXISTING FENCE
 325+96 TO 326+86 LT

REMOVAL AND DISPOSAL OF GUIDE POSTS
 330+11 LT (1)

DELINEATOR WITH STEEL POST
 327+01 LT
 327+86 RT
 328+42.5 RT
 328+88.5 LT
 330+79 LT
 331+13 RT

RELOCATE MAILBOX, SINGLE SUPPORT
 325+62 LT
 329+30 LT
 329+32 LT



LEGEND

- R = REMOVE EXISTING
- S = SALVAGE
- R&S = REMOVE AND SALVAGE
- N = NEW
- RET = RETAIN
- B-B = BACK TO BACK
- = EXISTING GUARDRAIL
- = PROPOSED GUARDRAIL
- YL = YELLOW LINE
- WL = WHITE LINE
- = DELINEATOR
- = UNDERDRAIN
- = BORING

ROADWAY LAYOUT SHEET 24

PROJECT NAME: WEATHERSFIELD
 PROJECT NUMBER: STP 2913(1)

FILE NAME: I0c228.dgn
 PROJECT LEADER: PTS
 DESIGNED BY: NLL
 IPARM FILE NAME: pI0c228.57

PLOT DATE: 3/7/2013
 DRAWN BY: WWG
 CHECKED BY: PTS
 SHEET 57 OF 234

NOT TO SCALE