

TEMPORARY 4" WHITE LINE, PAINT  
 DURABLE 4" WHITE LINE (OPTION BID ITEM)  
 321+50 TO 322+31 SOLID LT  
 321+50 TO 326+95 SOLID RT  
 322+31 TO 322+60 SOLID LT (TH 29)  
 322+80 TO 323+10 SOLID LT (TH 29)  
 323+10 TO 331+50 SOLID LT  
 326+95 TO 327+25 SOLID RT (TH 1)  
 327+55 TO 327+85 SOLID RT (TH 1)  
 327+85 TO 331+50 SOLID RT

TEMPORARY 4" YELLOW LINE, PAINT  
 DURABLE 4" YELLOW LINE (OPTION BID ITEM)  
 321+50 TO 322+52 SOLID LT & RT  
 322+71 DOUBLE SOLID LT (TH 29) (21' LONG)  
 322+92 TO 327+20 SOLID LT & RT  
 327+40 DOUBLE SOLID RT (TH 1) (19' LONG)  
 327+60 TO 331+50 SOLID LT & RT

TEMPORARY 24" STOP BAR, PAINT  
 DURABLE 24" STOP BAR (OPTION BID ITEM)  
 322+50 TO 322+70 LT (TH 29)  
 327+41 TO 327+65 RT (TH 1)

TEMPORARY LETTER OR SYMBOL, PAINT  
 DURABLE LETTER OR SYMBOL (OPTION BID ITEM)  
 322+64 LT - "STOP" (TH 29)  
 327+49 RT - "STOP" (TH 1)

6 INCH UNDERDRAIN PIPE  
 322+00 TO 326+75 RT

STEEL BEAM GUARDRAIL, GALVANIZED  
 327+01 TO 328+01 LT  
 327+86 TO 328+00 RT  
 328+25 TO 328+42.5 RT  
 328+26 TO 328+88.5 LT  
 331+13 TO 331+50 RT

STEEL BEAM GUARDRAIL, GALVANIZED  
 W/8 FEET POSTS  
 330+79 TO 331+50 LT

STEEL BEAM GUARDRAIL,  
 GALVANIZED/NESTED  
 328+00 TO 328+25 RT  
 328+01 TO 328+26 LT

ANCHOR FOR STEEL BEAM RAIL  
 327+01 LT  
 327+86 RT  
 328+42.5 RT  
 328+88.5 LT  
 330+79 LT  
 331+13 RT

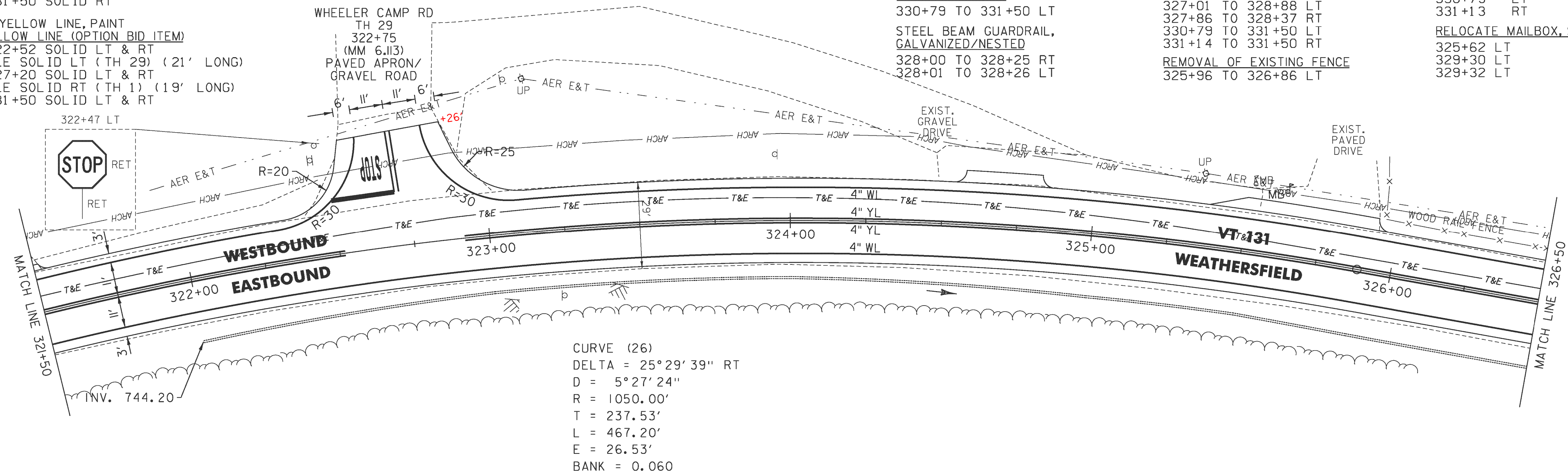
REMOVAL AND DISPOSAL OF GUARDRAIL  
 327+01 TO 328+88 LT  
 327+86 TO 328+37 RT  
 330+79 TO 331+50 LT  
 331+14 TO 331+50 RT

REMOVAL OF EXISTING FENCE  
 325+96 TO 326+86 LT

REMOVAL AND DISPOSAL OF GUIDE POSTS  
 330+11 LT (1)

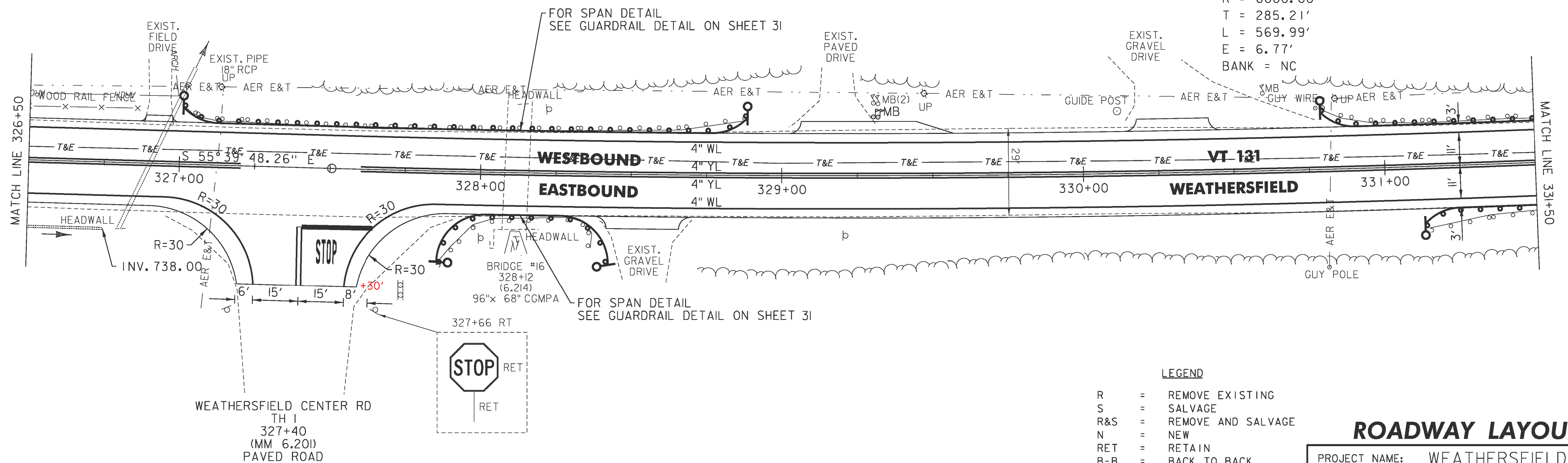
DELINEATOR WITH STEEL POST  
 327+01 LT  
 327+86 RT  
 328+42.5 RT  
 328+88.5 LT  
 330+79 LT  
 331+13 RT

RELOCATE MAILBOX, SINGLE SUPPORT  
 325+62 LT  
 329+30 LT  
 329+32 LT



CURVE (26)  
 DELTA = 25°29'39" RT  
 D = 5°27'24"  
 R = 1050.00'  
 T = 237.53'  
 L = 467.20'  
 E = 26.53'  
 BANK = 0.060

CURVE (27)  
 DELTA = 5°26'35" LT  
 D = 0°57'18"  
 R = 6000.00'  
 T = 285.21'  
 L = 569.99'  
 E = 6.77'  
 BANK = NC



LEGEND

- R = REMOVE EXISTING
- S = SALVAGE
- R&S = REMOVE AND SALVAGE
- N = NEW
- RET = RETAIN
- B-B = BACK TO BACK
- = EXISTING GUARDRAIL
- = PROPOSED GUARDRAIL
- YL = YELLOW LINE
- WL = WHITE LINE
- = DELINEATOR
- = UNDERDRAIN
- = BORING

ROADWAY LAYOUT SHEET 24

PROJECT NAME: WEATHERSFIELD

PROJECT NUMBER: STP 2913(1)

FILE NAME: I0c228.dgn

PROJECT LEADER: PTS

DESIGNED BY: NLL

IPARM FILE NAME: pI0c228.57

PLOT DATE: 3/7/2013

DRAWN BY: WWG

CHECKED BY: PTS

SHEET 57 OF 234

NOT TO SCALE