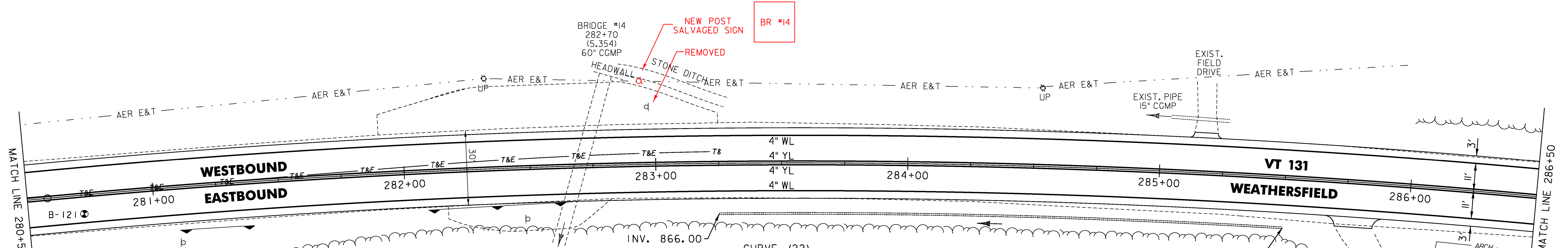
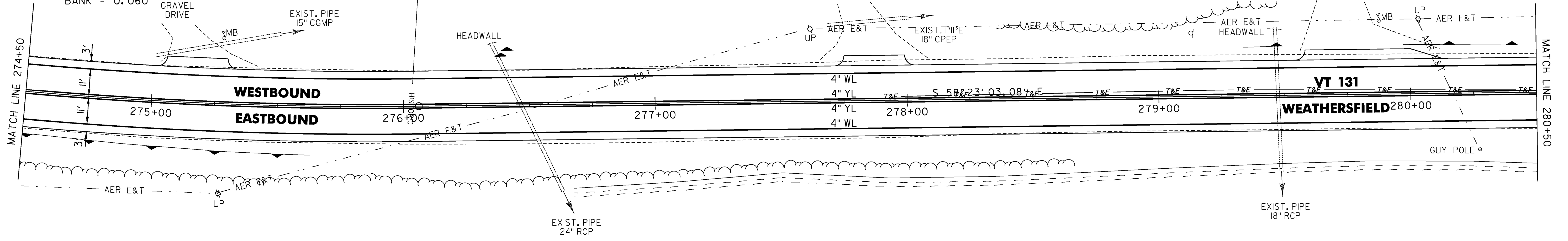


TEMPORARY 4" WHITE LINE, PAINT
 DURABLE 4" WHITE LINE (OPTION BID ITEM)
 274+50 TO 286+50 SOLID LT
 274+50 TO 286+50 SOLID RT

TEMPORARY 4" YELLOW LINE, PAINT
 DURABLE 4" YELLOW LINE (OPTION BID ITEM)
 274+50 TO 286+50 SOLID LT & RT

6 INCH UNDERDRAIN PIPE
 283+25 TO 285+50 RT

CURVE (21)
 DELTA = 111°08'07" LT
 D = 3°41'47"
 R = 1550.00'
 T = 151.09'
 L = 301.24'
 E = 7.35'
 BANK = 0.060



CURVE (22)
 DELTA = 10°44'21" RT
 D = 1°47'26"
 R = 3200.00'
 T = 300.78'
 L = 599.79'
 E = 14.10'
 BANK = 0.035

LEGEND

- R = REMOVE EXISTING
- S = SALVAGE
- R&S = REMOVE AND SALVAGE
- N = NEW
- RET = RETAIN
- B-B = BACK TO BACK
- = EXISTING GUARDRAIL
- = PROPOSED GUARDRAIL
- YL = YELLOW LINE
- WL = WHITE LINE
- = DELINEATOR
- ⋯ = UNDERDRAIN
- ⊙ = BORING

ROADWAY LAYOUT SHEET 20

PROJECT NAME: WEATHERSFIELD	PLOT DATE: 3/7/2013
PROJECT NUMBER: STP 2913(1)	DRAWN BY: WWG
FILE NAME: I0c228.dgn	CHECKED BY: PTS
DESIGNED BY: NULL	SHEET 53 OF 234
IPARM FILE NAME: pI0c228.53	

NOT TO SCALE