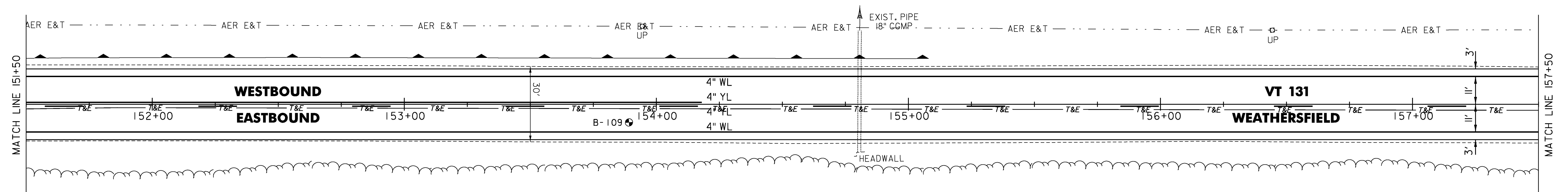
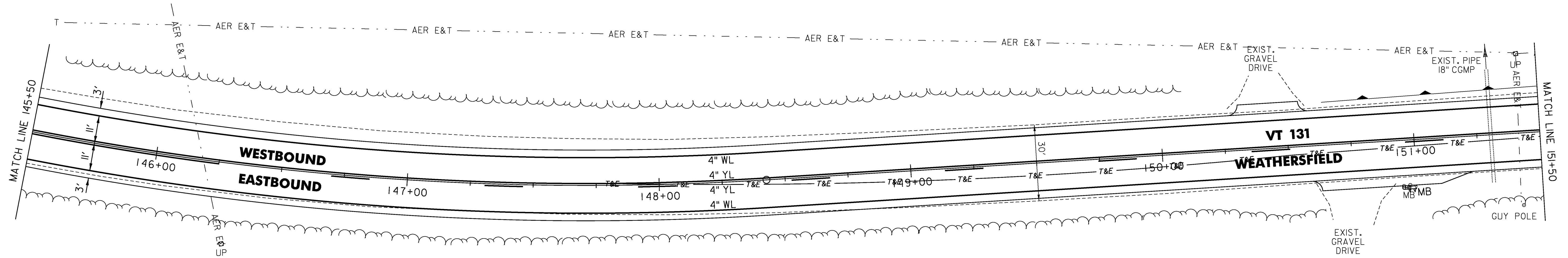


TEMPORARY 4" WHITE LINE, PAINT
 DURABLE 4" WHITE LINE (OPTION BID ITEM)
 145+50 TO 157+50 SOLID LT
 145+50 TO 157+50 SOLID RT

RELOCATE MAILBOX, SINGLE SUPPORT
 150+95 RT
 150+97 RT

TEMPORARY 4" YELLOW LINE, PAINT
 DURABLE 4" YELLOW LINE (OPTION BID ITEM)
 145+50 TO 146+25 SOLID LT & RT
 146+25 TO 154+18 SOLID LT, DASHED RT
 154+18 TO 157+50 DASHED CL



LEGEND

- R = REMOVE EXISTING
- S = SALVAGE
- R&S = REMOVE AND SALVAGE
- N = NEW
- RET = RETAIN
- B-B = BACK TO BACK
- = EXISTING GUARDRAIL
- = PROPOSED GUARDRAIL
- YL = YELLOW LINE
- WL = WHITE LINE
- = DELINEATOR
- = UNDERDRAIN
- = BORING

ROADWAY LAYOUT SHEET 9

PROJECT NAME: WEATHERSFIELD

PROJECT NUMBER: STP 2913(I)

FILE NAME: I0c228.dgn

PLOT DATE: 3/7/2013

PROJECT LEADER: PTS

DRAWN BY: WWG

DESIGNED BY: NLL

CHECKED BY: PTS

IPARM FILE NAME: pI0c228_42

SHEET 42 OF 234

NOT TO SCALE