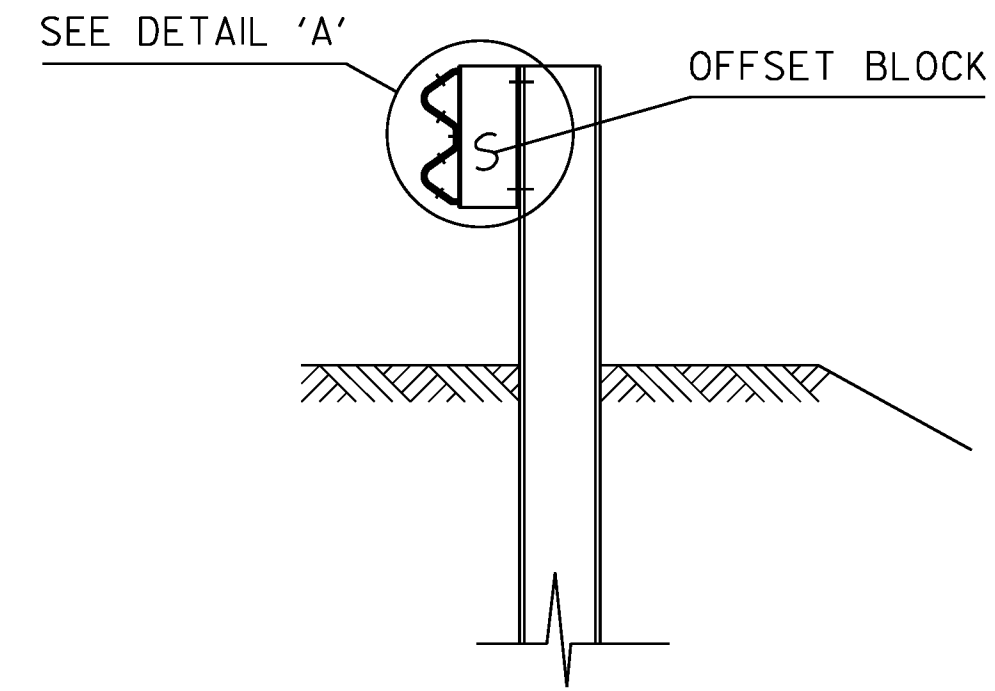
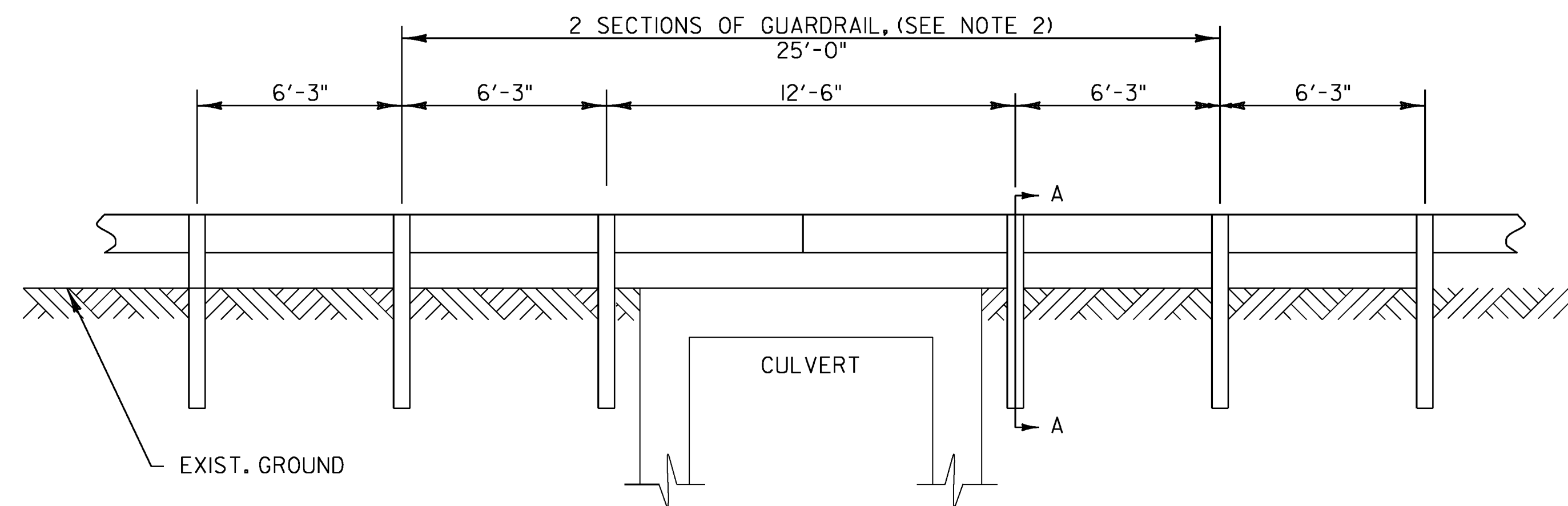


DETAIL 'A'



SECTION A-A



DETAIL OF STEEL BEAM GUARDRAIL AT SMALL CULVERTS

BRIDGE #16
328+12 LT & RT

STEEL BEAM GUARDRAIL AT SMALL CULVERT NOTES

1. SEE VAOT STANDARDS G-1 & G-1d FOR STEEL BEAM GUARDRAIL DETAILS.
2. THIS WORK SHALL BE PAID UNDER ITEM 621.206 STEEL BEAM GUARDRAIL, GALVANIZED/NESTED.
3. THIS DETAIL TO BE USED AS INDICATED ON THE ITEM DETAIL SHEET OR AS DIRECTED BY THE ENGINEER.

BRIDGE RAILING DETAIL SHEET 2

PROJECT NAME: WEATHERSFIELD	
PROJECT NUMBER: STP 2913(1)	
FILE NAME: I0c228.dgn	PLOT DATE: 2/7/2013
PROJECT LEADER: PTS	DRAWN BY: WWG
DESIGNED BY: NULL	CHECKED BY: PTS
IPARM FILE NAME: p10C228_31	SHEET 31 OF 234

NOT TO SCALE