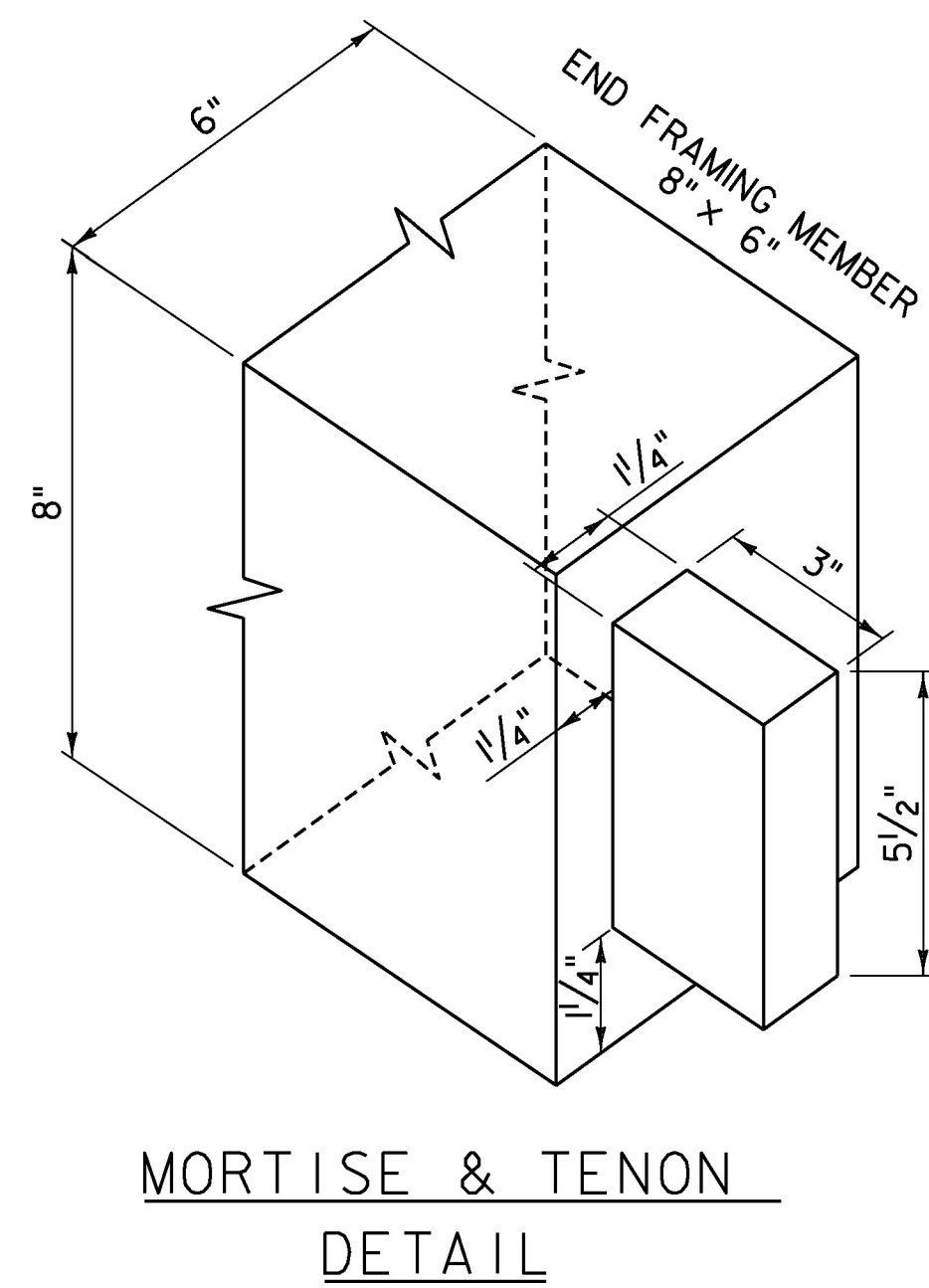
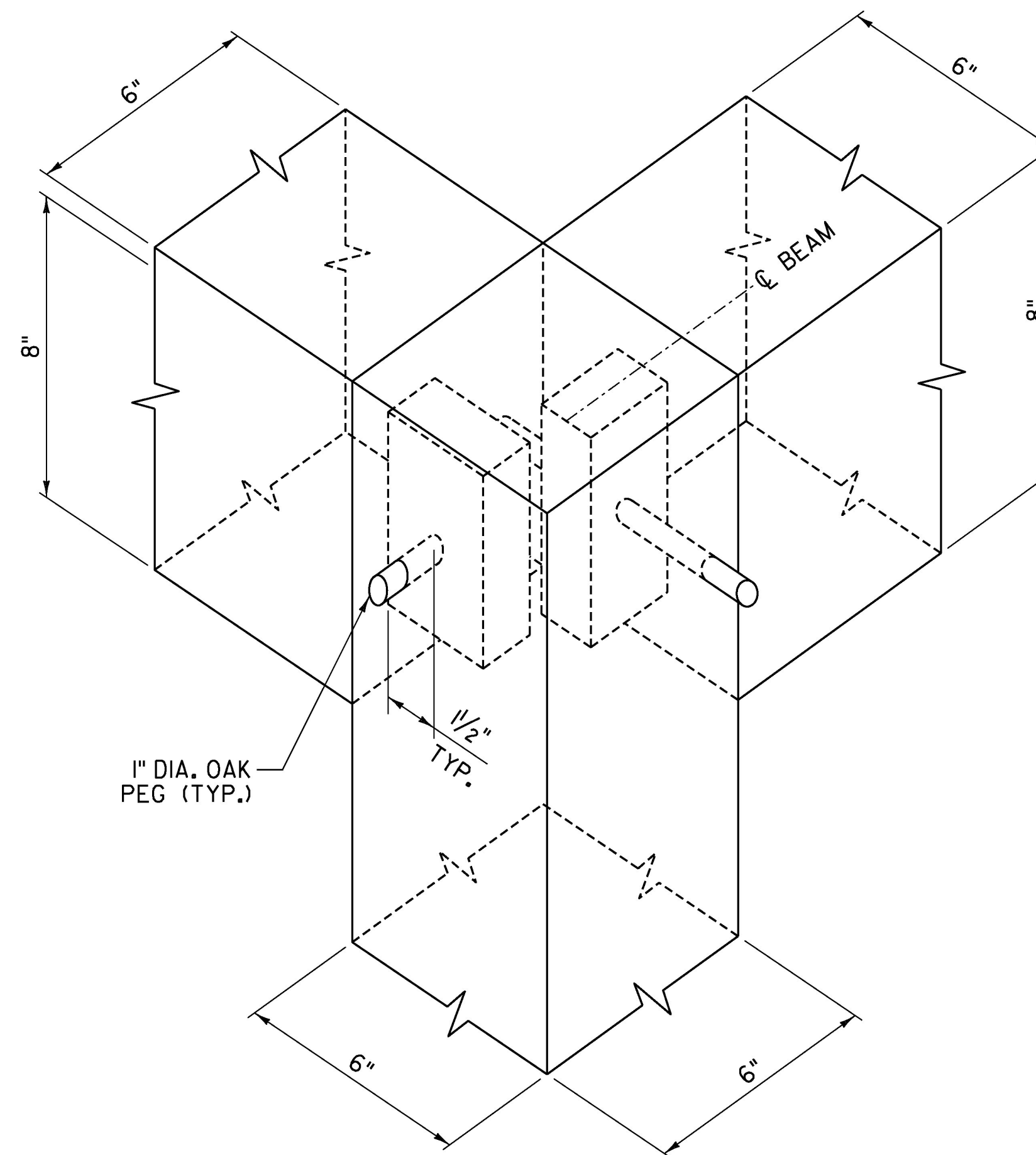


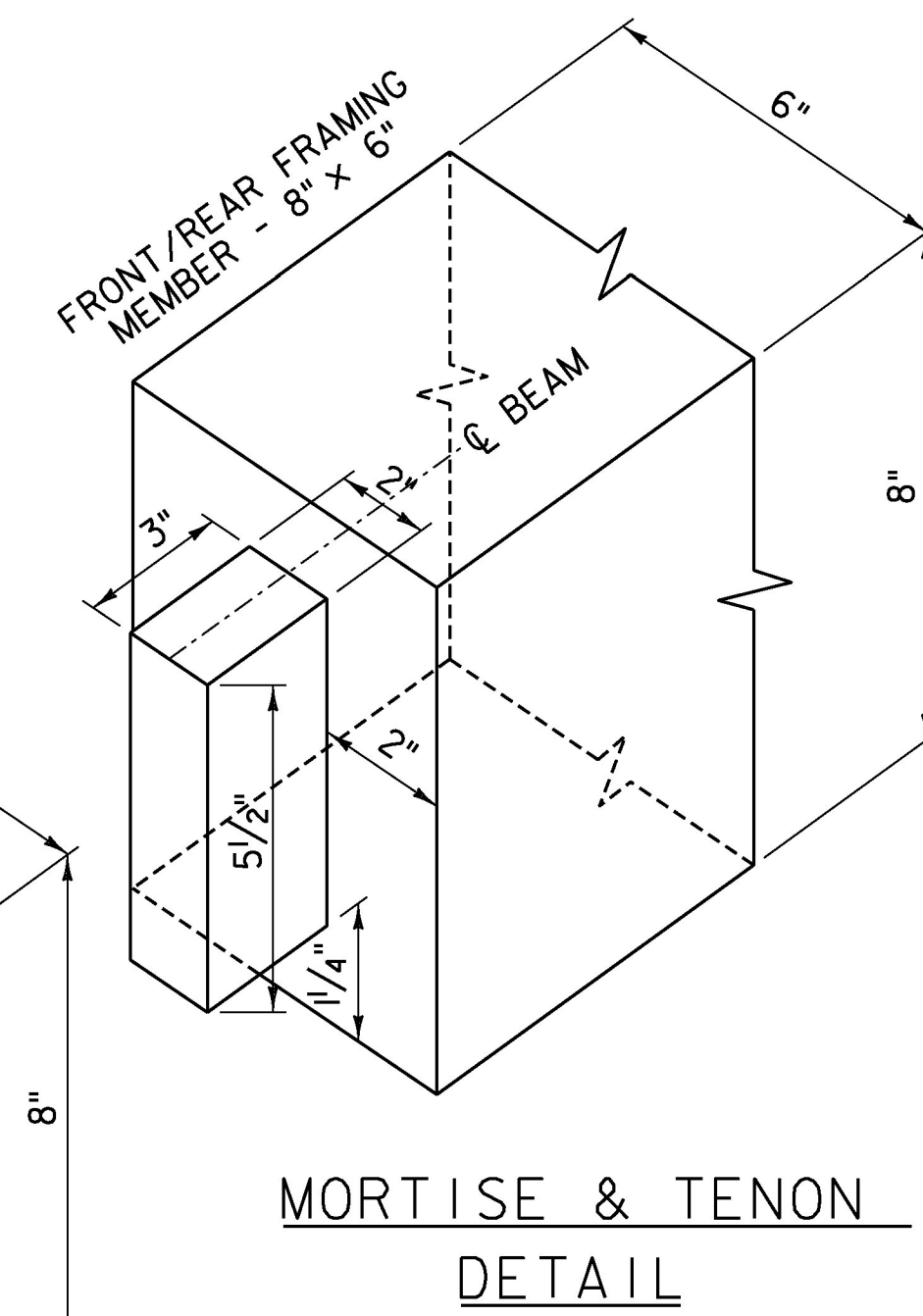
DETAIL "B"
SCALE 1/2" = 1'-0"



MORTISE & TENON
DETAIL



DETAIL "C"
SCALE 1/2" = 1'-0"



MORTISE & TENON
DETAIL

PROJECT NAME: BRADFORD	PLOT DATE: 5/22/2014
PROJECT NUMBER: CMG PARK (33)	DRAWN BY: L. BUXTON
FILE NAME: z09k252shitr_def.dgn	DESIGNED BY: J. HUNGERFORD
PROJECT LEADER: M. FOISY	CHECKED BY: G. BOGUE
BUS SHELTER DETAILS 3	SHEET 21 OF 33

