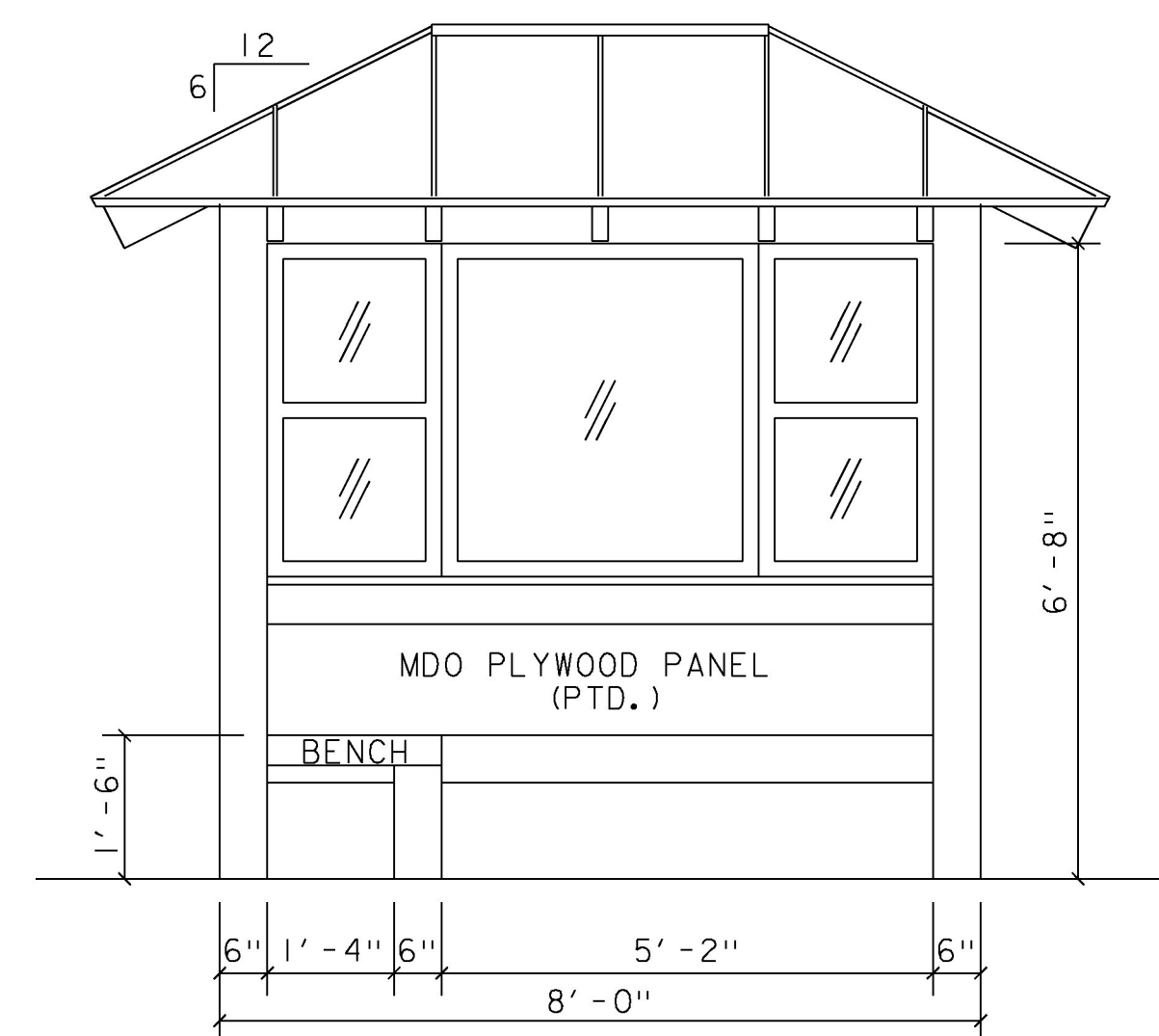
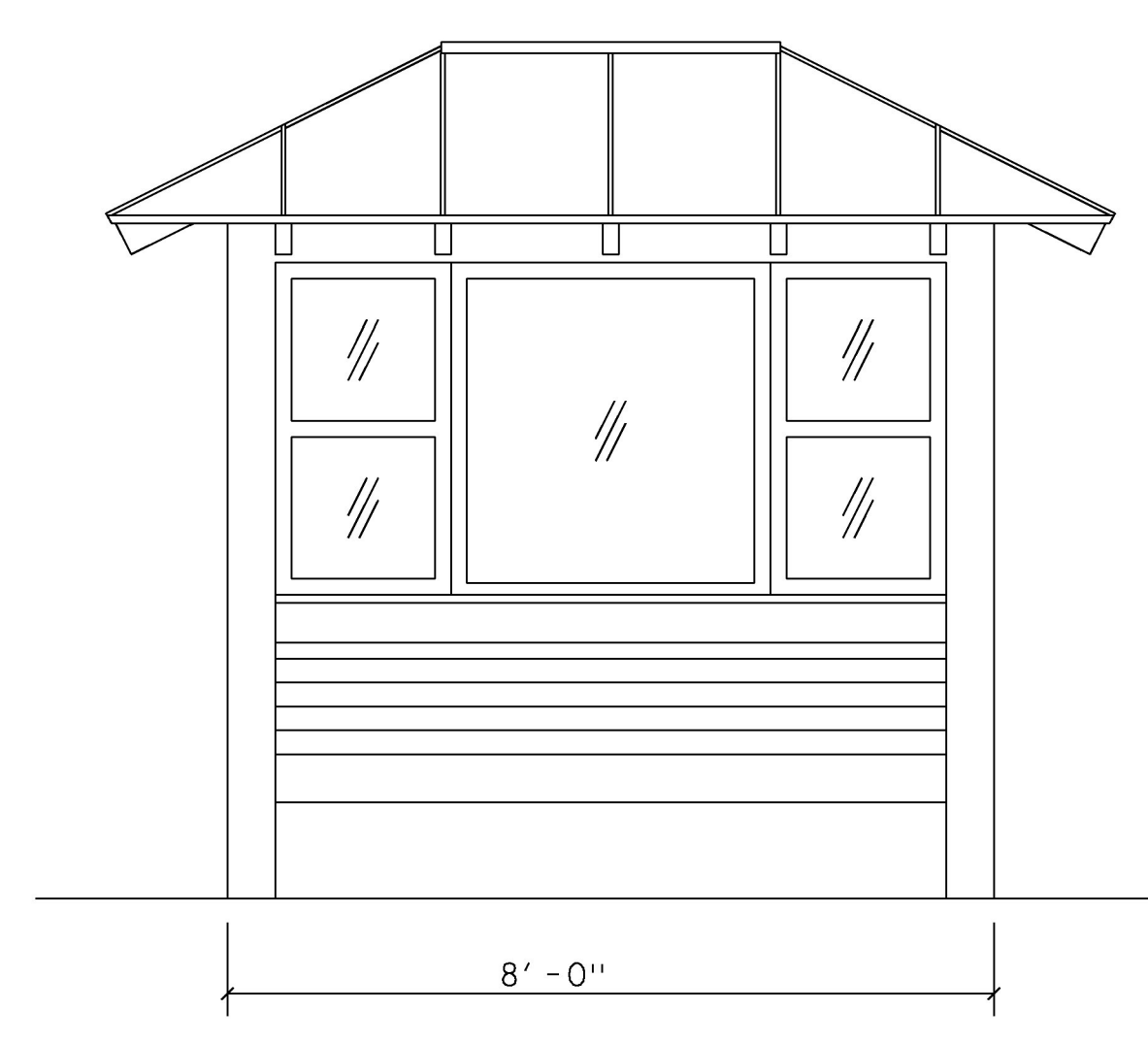


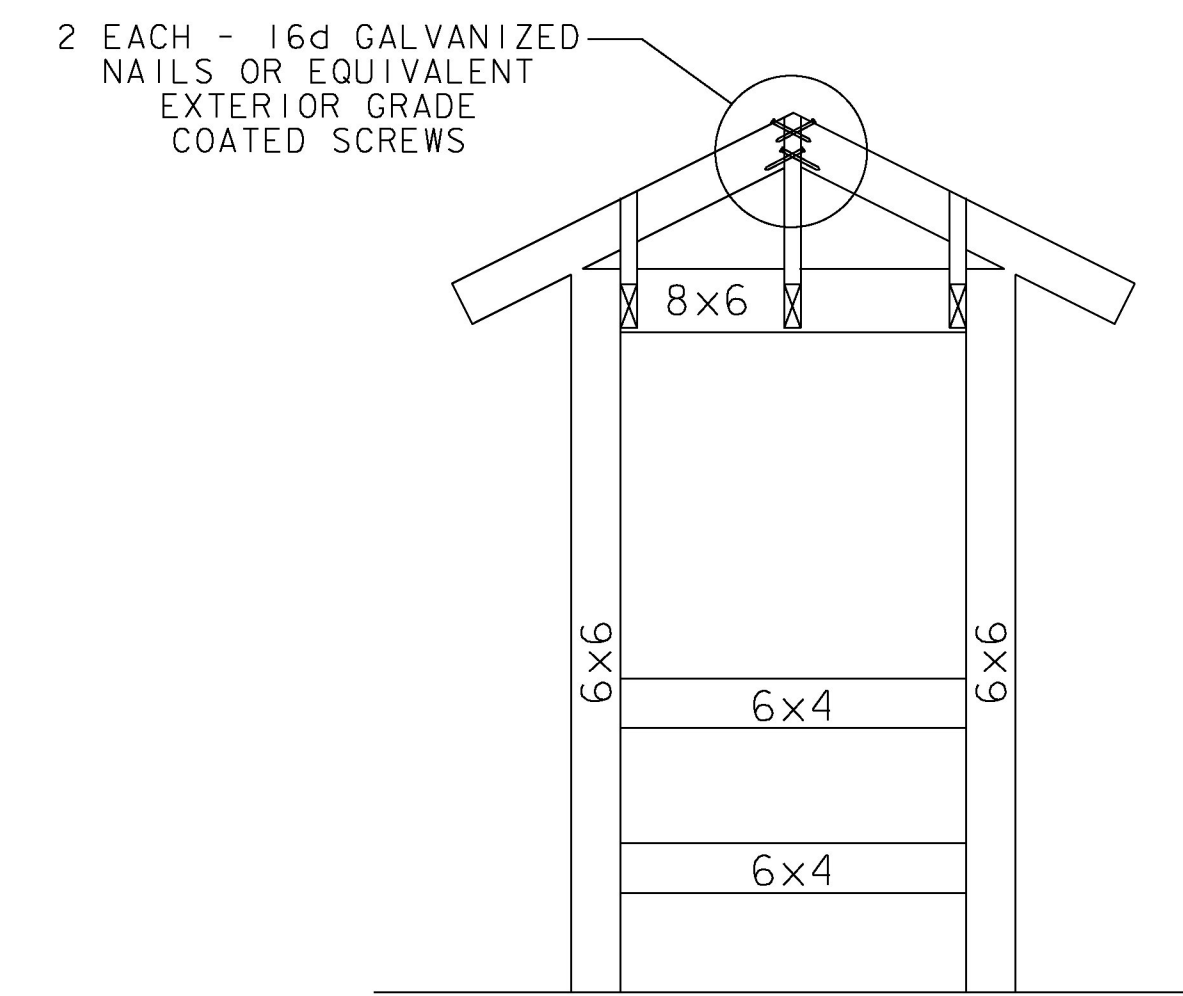
END ELEVATION (TYP.)
SCALE: 1/2" = 1'-0"



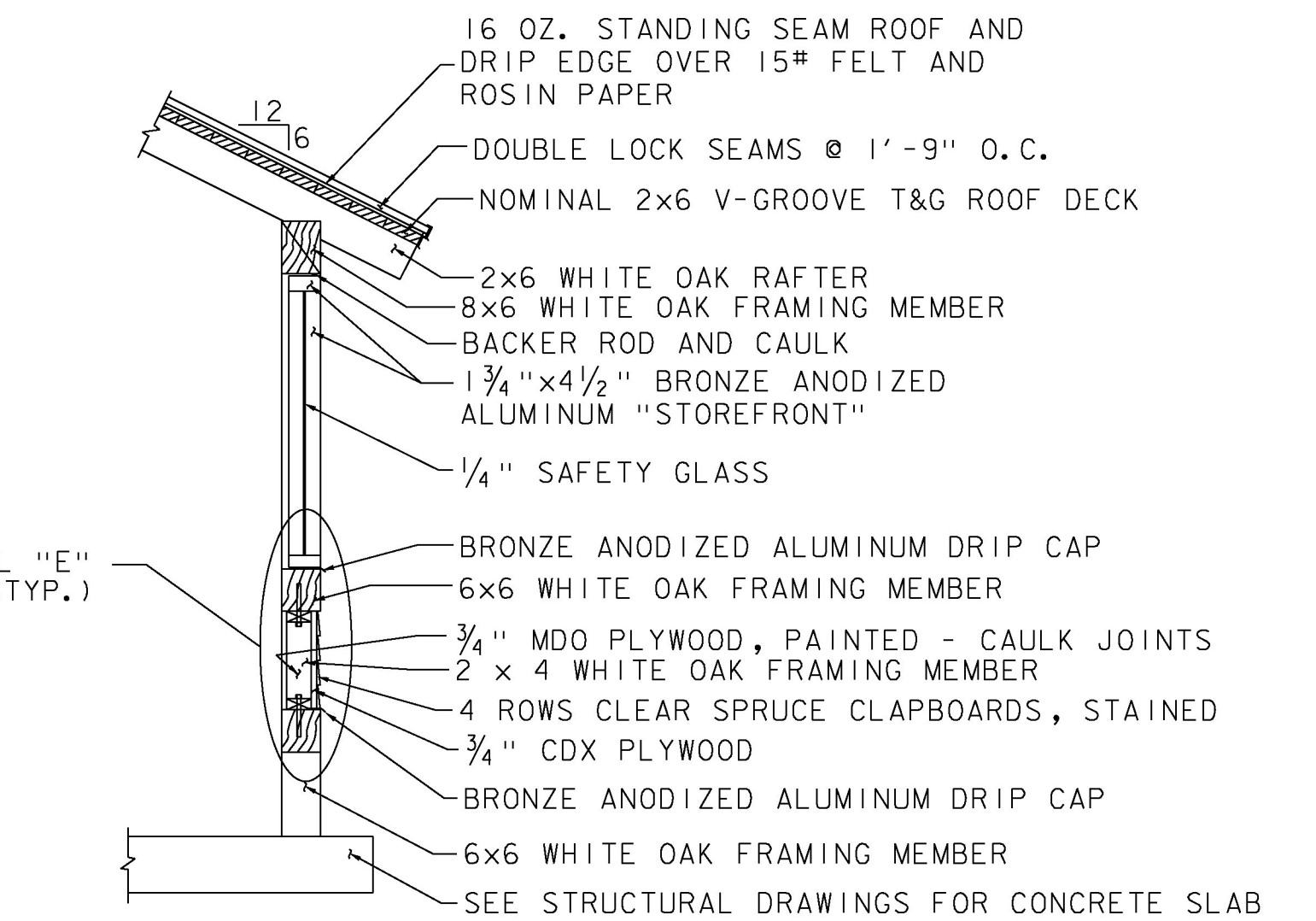
FRONT/INTERIOR ELEVATION
SCALE: 1/2" = 1'-0"



REAR ELEVATION
SCALE: 1/2" = 1'-0"

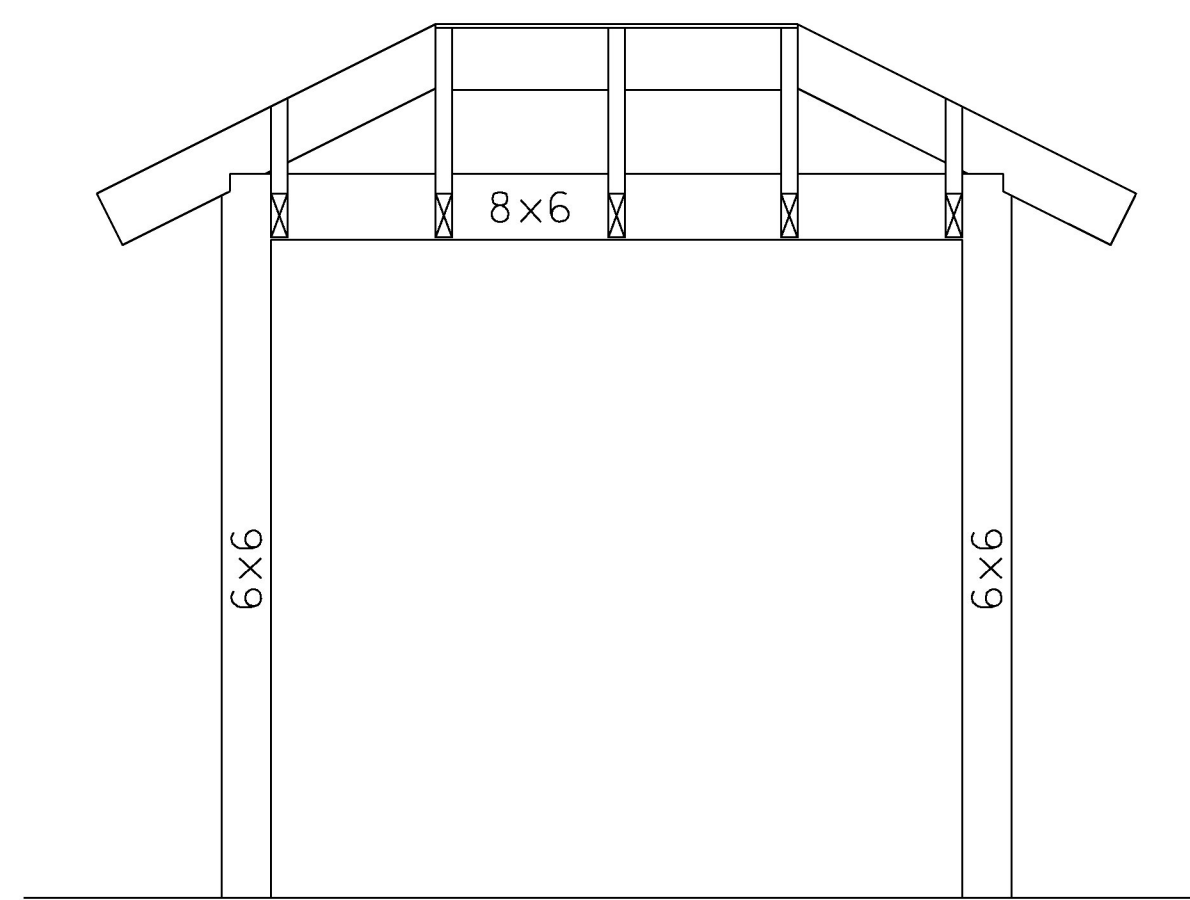


END FRAMING - ELEVATION
SCALE: 1/2" = 1'-0"

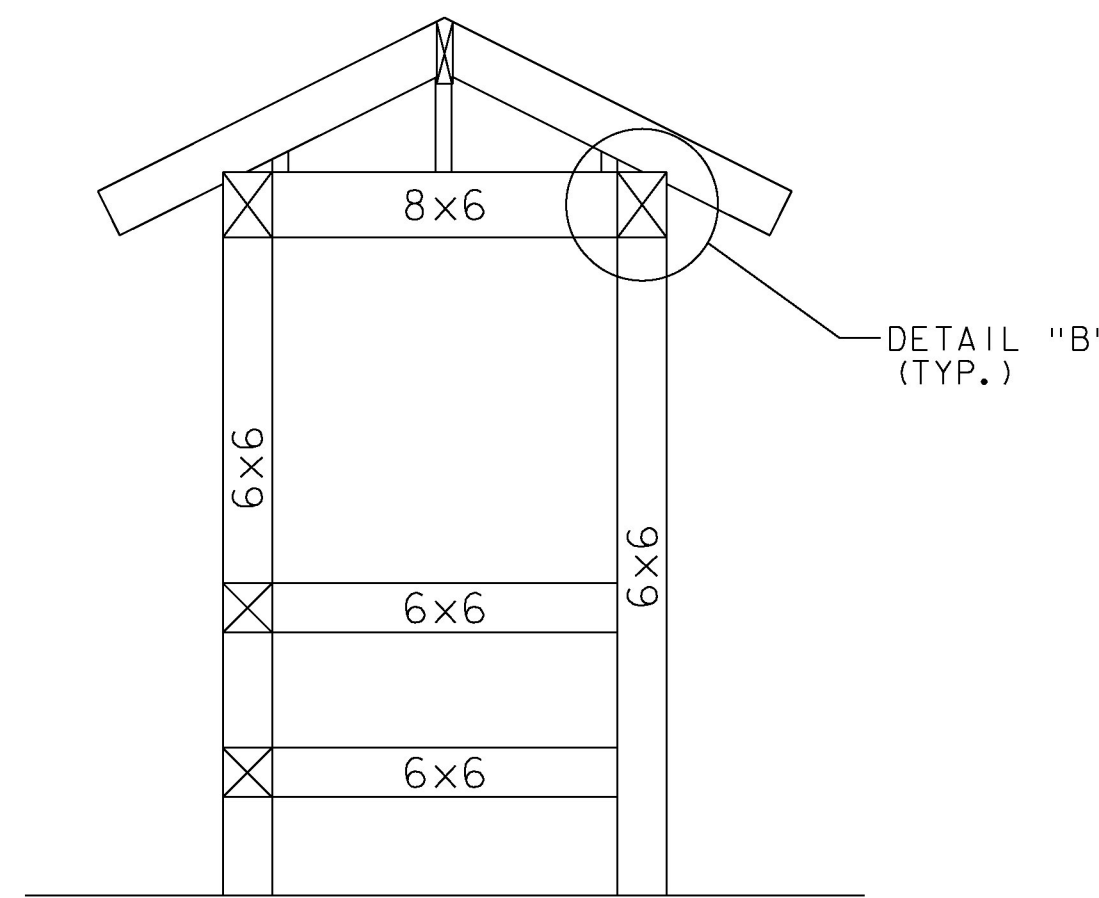


TYPICAL WALL SECTION
SCALE: 1/2" = 1'-0"

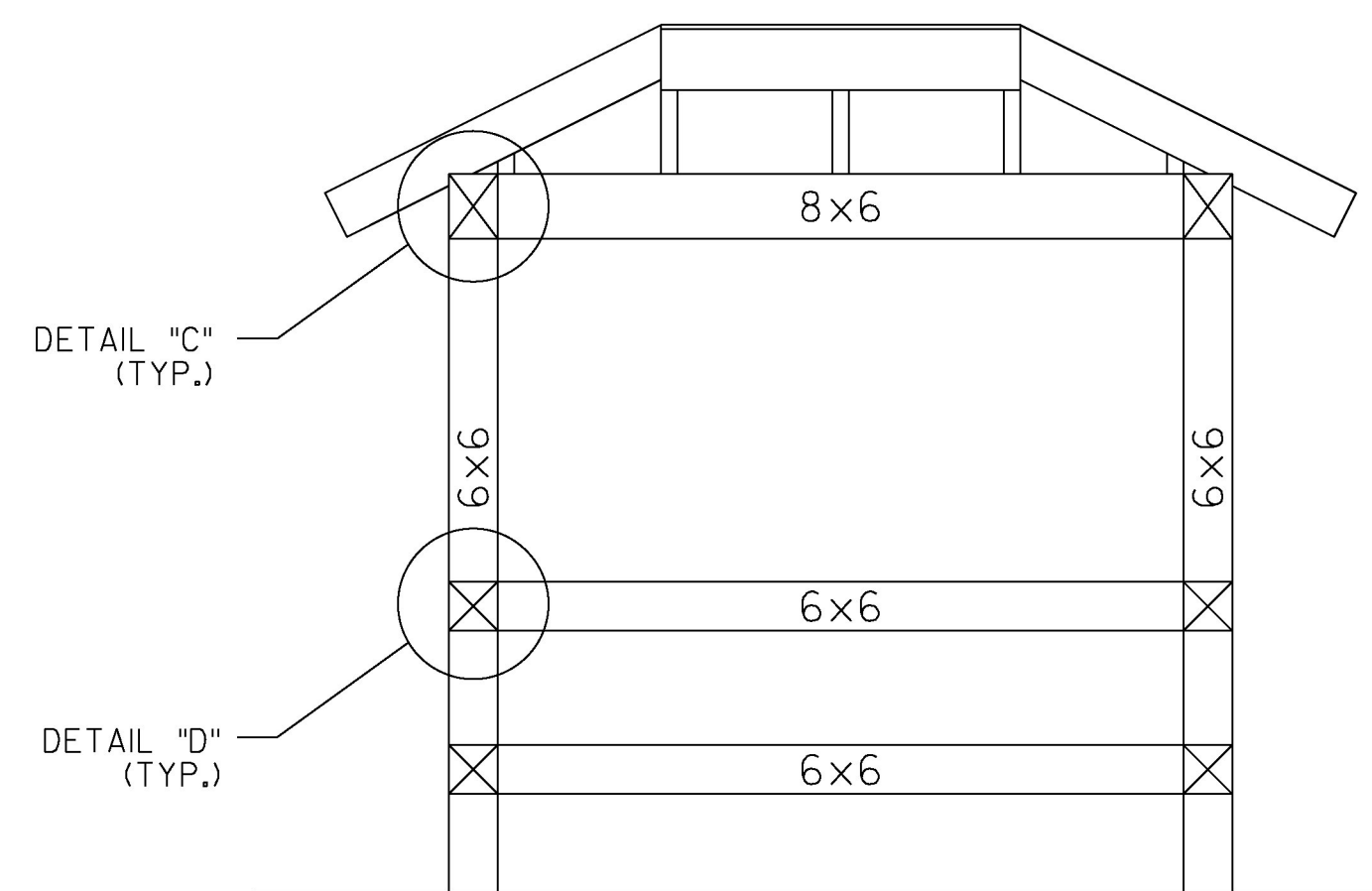
- NOTES
1. JACK AND COMMON RAFTERS ARE 2x6.
 2. HIP RAFTERS ARE 2x7
 3. RIDGE BEAM IS 2x8



FRONT/REAR FRAMING - ELEVATION
SCALE: 1/2" = 1'-0"



END FRAMING - SECTION
SCALE: 1/2" = 1'-0"



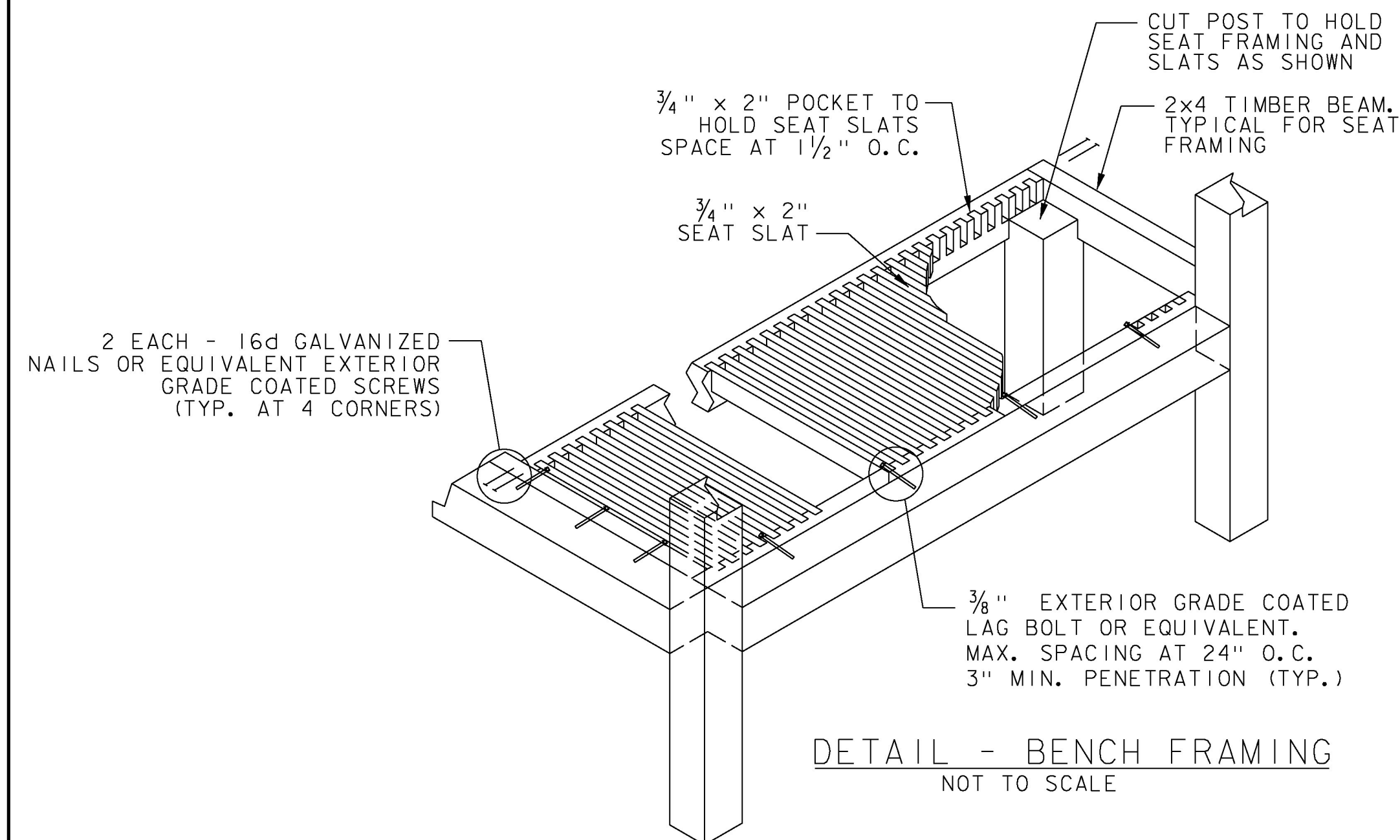
FRONT/REAR FRAMING - SECTION
SCALE: 1/2" = 1'-0"

DETAIL "E" (TYP.)

DETAIL "B" (TYP.)

DETAIL "C" (TYP.)

DETAIL "D" (TYP.)



DETAIL - BENCH FRAMING
NOT TO SCALE

PROJECT NAME: BRADFORD
PROJECT NUMBER: CMG PARK (33)

FILE NAME: z09k252shitr_def.dgn PLOT DATE: 5/22/2014
PROJECT LEADER: M. FOISY DRAWN BY: L. BUXTON
DESIGNED BY: J. HUNGERFORD CHECKED BY: G. BOGUE
BUS SHELTER DETAILS 2 SHEET 20 OF 33



NOTE:
FOR DETAILS B & C, SEE BUSH SHELTER DETAILS 3.
FOR DETAILS D & E, SEE BUS SHELTER DETAILS 4.
ALL DIMENSIONS IN INCHES UNLESS OTHERWISE NOTED.