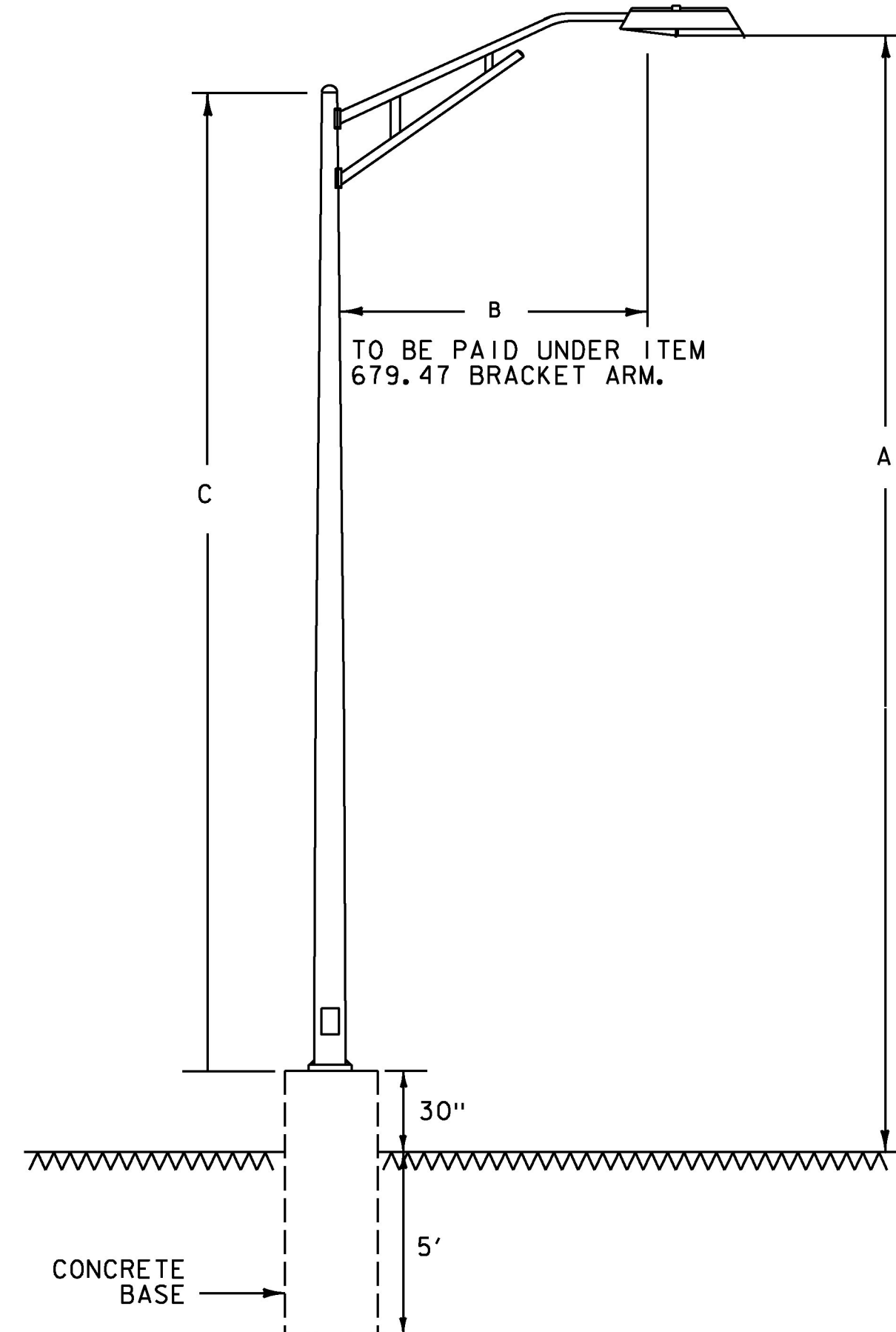


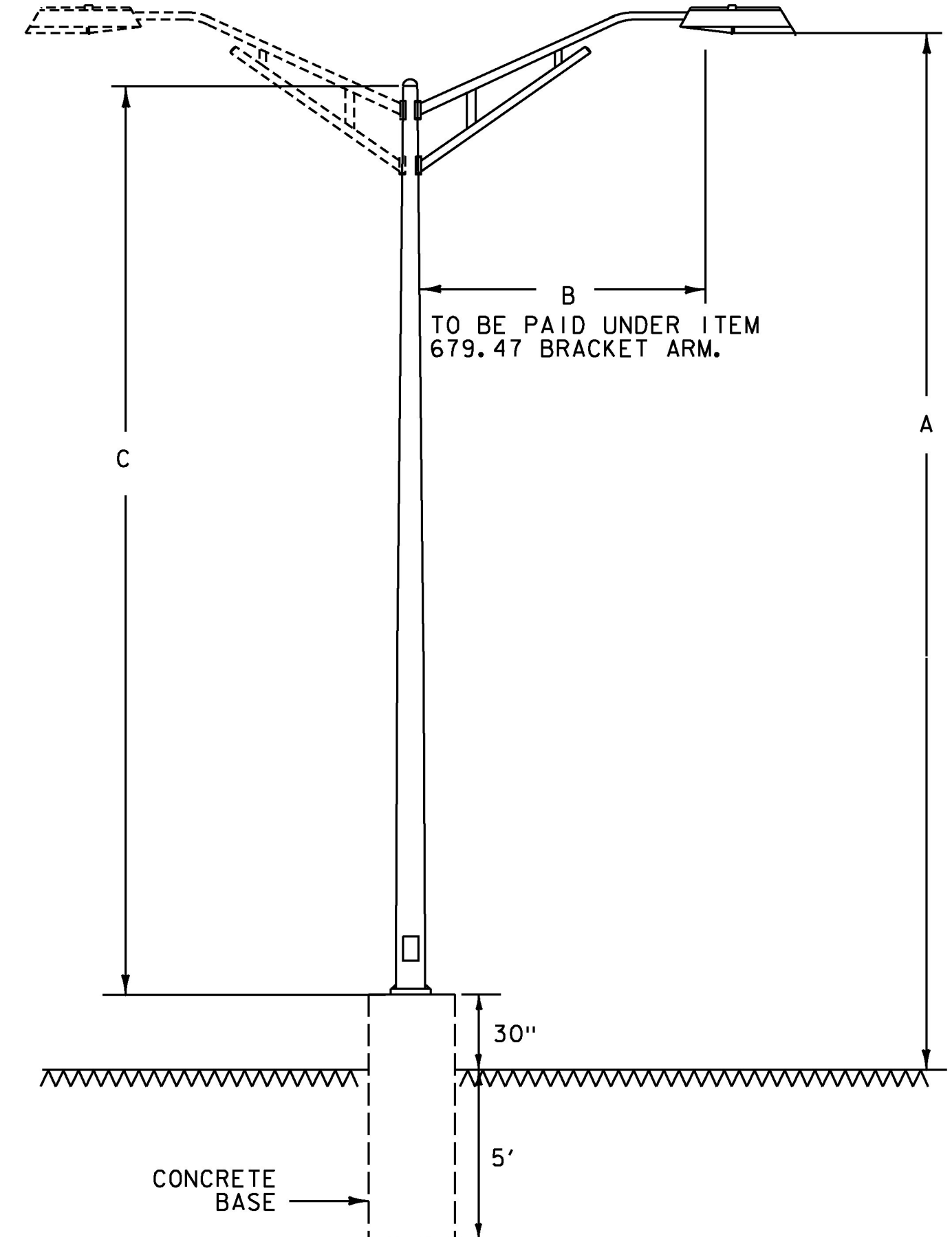
LUMINAIRE
STR-LWY-3MB-04-C-UL-BZ-525-R-SC
 NOT TO SCALE



DIMENSIONS:
 A = MOUNTING HEIGHT - 22.5'
 B = LUMINAIRE SUPPORT ARM LENGTH - 8'
 C = POLE HEIGHT - 20'

TYPE 'A' SITE LIGHT
 NOT TO SCALE

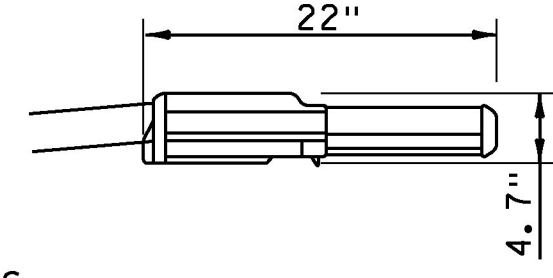
SEE STANDARD E-180A
 FOR ADDITIONAL INFORMATION



DIMENSIONS:
 A = MOUNTING HEIGHT - 22.5'
 B = LUMINAIRE SUPPORT ARM LENGTH - 8'
 C = POLE HEIGHT - 20'

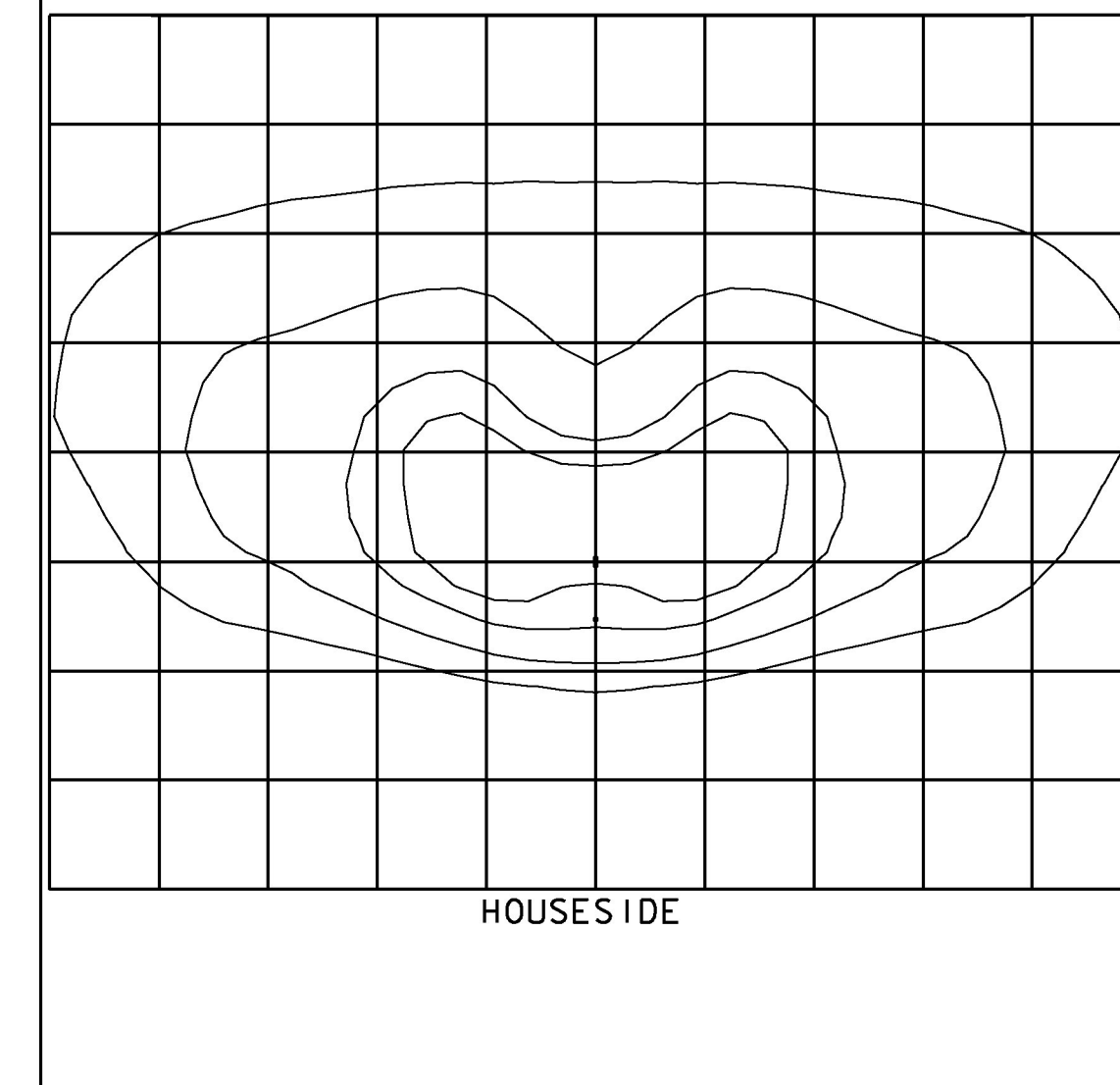
TYPE 'B' SITE LIGHT
 NOT TO SCALE

LUMINAIRE:
 LENS FINISH: CLEAR FLAT GLASS
 HOUSING: ALUMINUM
 LAMP:
 TYPE: 40 LEDS



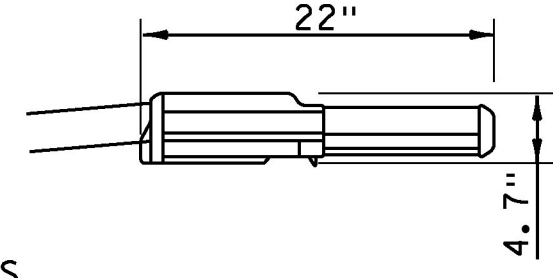
ANSI/IES TYPE:
 TYPE III CUT-OFF OPTICS
 WITH HOUSE SIDE SHIELD

LUMINAIRE: STR-LWY-3MB-04-C-UL-BZ-525-R-SC
 LAMP: TYPE: LED
 MOUNTING HEIGHT: 22' - 6" POLES ON CONCRETE
 BASES = 20.0'



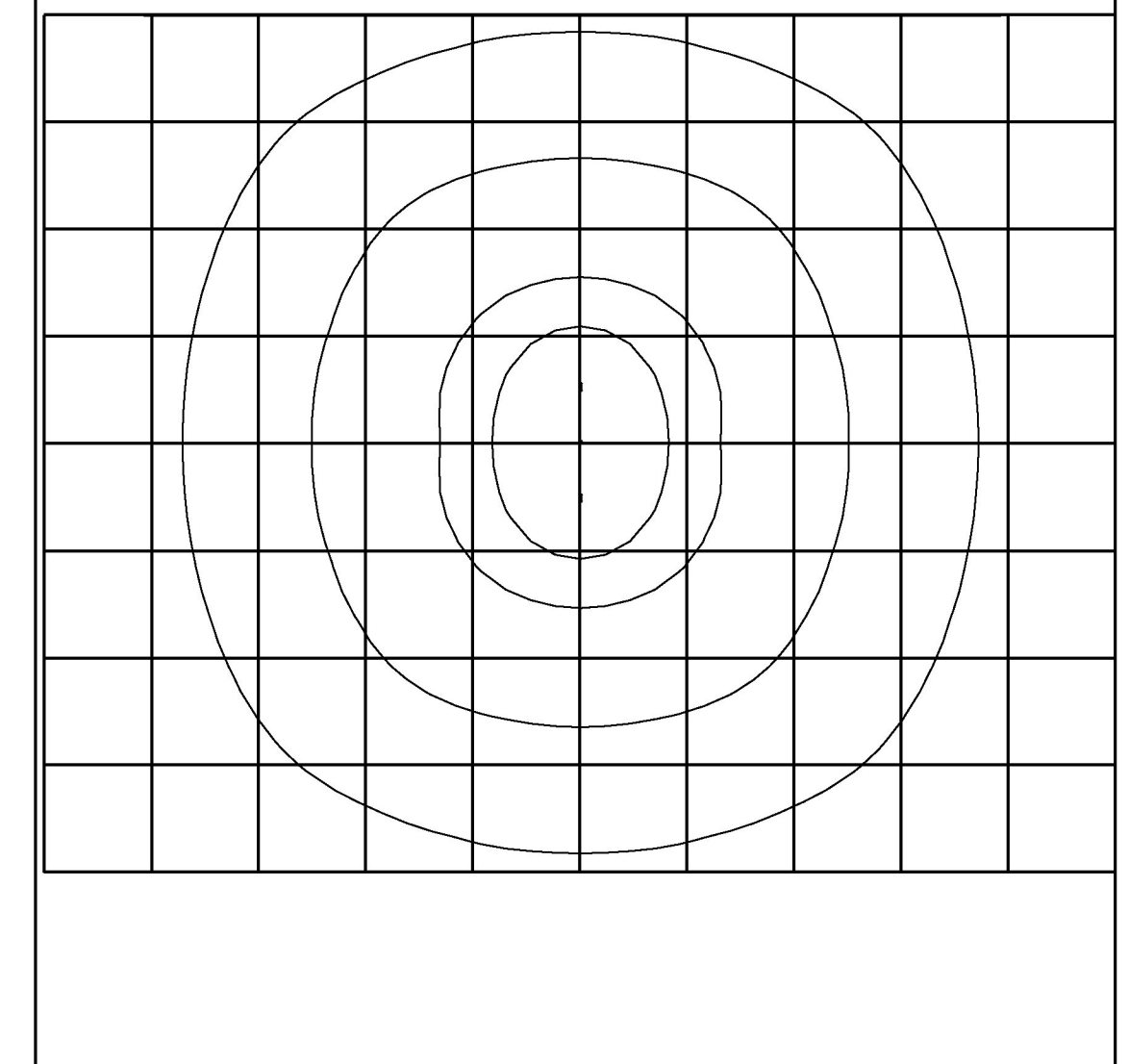
TYPE 'A' SITE LIGHT
ISO-FOOTCANDLE DATA
 NOT TO SCALE

LUMINAIRE:
 LENS FINISH: CLEAR FLAT GLASS
 HOUSING: ALUMINUM
 LAMP:
 TYPE: (2) 40 LEDS



ANSI/IES TYPE:
 TYPE III CUT-OFF OPTICS

LUMINAIRE: (2) STR-LWY-3MB-04-C-UL-BZ-525-R-SC
 LAMP: TYPE: LED
 MOUNTING HEIGHT: 22' - 6" POLES ON CONCRETE
 BASES = 20.0'



TYPE 'B' SITE LIGHT
ISO-FOOTCANDLE DATA
 NOT TO SCALE

PROJECT NAME: BRADFORD	PLOT DATE: 5/22/2014
PROJECT NUMBER: CMG PARK (33)	DRAWN BY: P. ARMATA
FILE NAME: z09K252frm.dgn	DESIGNED BY: M. CROWLEY
PROJECT LEADER: M. FOISY	CHECKED BY: G. SANTY
LIGHTING DETAILS 2	SHEET 17 OF 33

