

OPTION
 646.402 - DURABLE 4" WHITE LINE, THERMOPLASTIC
 646.404 - DURABLE 4" WHITE LINE, POLYUREA
 STA. 10+00 TO 13+25, LT & RT (PARKING SPACES AND DIAGONALS)

OPTION
 646.412 - DURABLE 4" YELLOW LINE, THERMOPLASTIC
 646.414 - DURABLE 4" YELLOW LINE, POLYUREA
 STA. 10+26 TO STA. 10+27, RT (CENTER LINE FOR PLATEAU ACRES)

OPTION
 646.482 - DURABLE 24" STOP BAR, THERMOPLASTIC
 646.484 - DURABLE 24" STOP BAR, POLYUREA
 STA. 10+21, RT. (PLATEAU ACRES)
 STA. 10+66, RT.

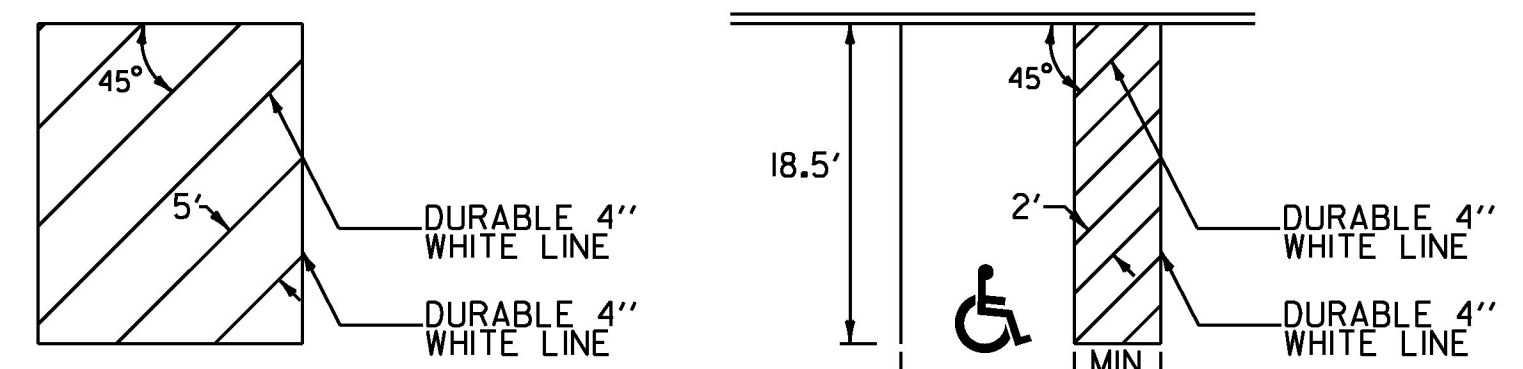
OPTION
 646.492 - DURABLE LETTER OR SYMBOL, THERMOPLASTIC
 646.494 - DURABLE LETTER OR SYMBOL, POLYUREA

STA. 10+85, RT. - &
 STA. 10+89, RT. - †
 STA. 10+98, RT. - †
 STA. 11+02, RT. - &
 STA. 11+11, RT. - &
 STA. 11+25, RT. - &
 STA. 11+96, LT. - †
 STA. 11+96, LT. - †
 STA. 11+96, RT. - †
 STA. 11+96, RT. - †
 STA. 12+83, RT. - †
 STA. 12+91, RT. - †

646.85 - REMOVAL OF EXISTING PAVEMENT MARKINGS
 STA. 10+33, RT (STOPBAR AND LETTERS)

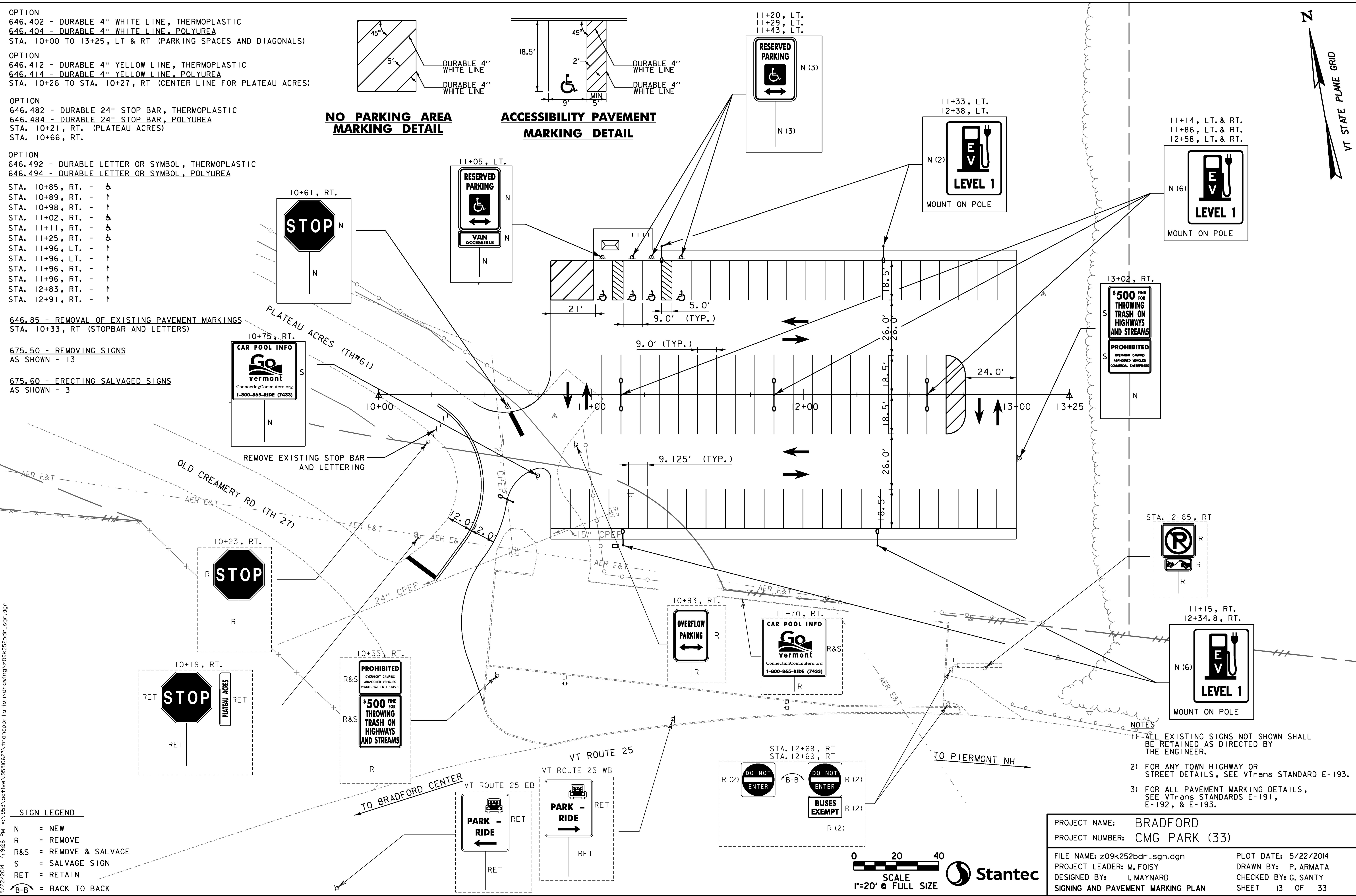
675.50 - REMOVING SIGNS
 AS SHOWN - 13

675.60 - ERECTING SALVAGED SIGNS
 AS SHOWN - 3



NO PARKING AREA MARKING DETAIL

ACCESSIBILITY PAVEMENT MARKING DETAIL

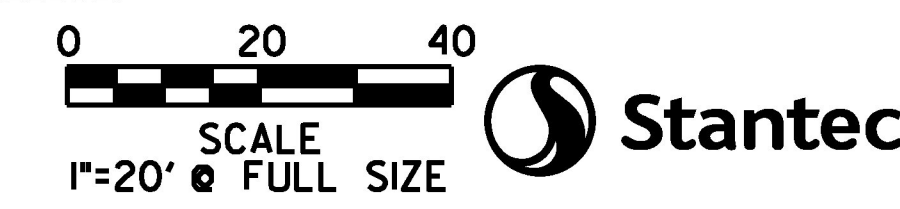


SIGN LEGEND

N	= NEW
R	= REMOVE
R&S	= REMOVE & SALVAGE
S	= SALVAGE SIGN
RET	= RETAIN
(B-B)	= BACK TO BACK

- NOTES**
- 1) ALL EXISTING SIGNS NOT SHOWN SHALL BE RETAINED AS DIRECTED BY THE ENGINEER.
 - 2) FOR ANY TOWN HIGHWAY OR STREET DETAILS, SEE Vtrans STANDARD E-193.
 - 3) FOR ALL PAVEMENT MARKING DETAILS, SEE Vtrans STANDARDS E-191, E-192, & E-193.

PROJECT NAME:	BRADFORD
PROJECT NUMBER:	CMG PARK (33)
FILE NAME:	z09k252bdr_sgn.dgn
DESIGNED BY:	I. MAYNARD
SIGNING AND PAVEMENT MARKING PLAN	CHECKED BY: G. SANTY
PLOT DATE:	5/22/2014
DRAWN BY:	P. ARMATA
SHEET	13 OF 33



5/22/2014 4:49:26 PM \\VA1953\active\195306231\transport\tdm\drawing\z09k252bdr_sgn.dgn