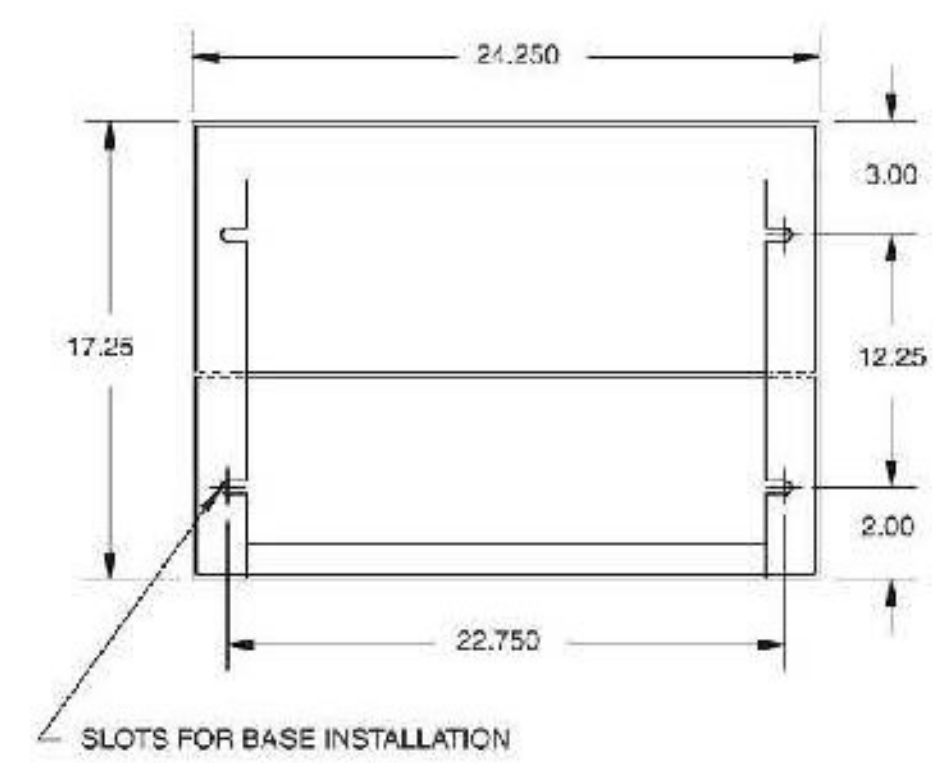
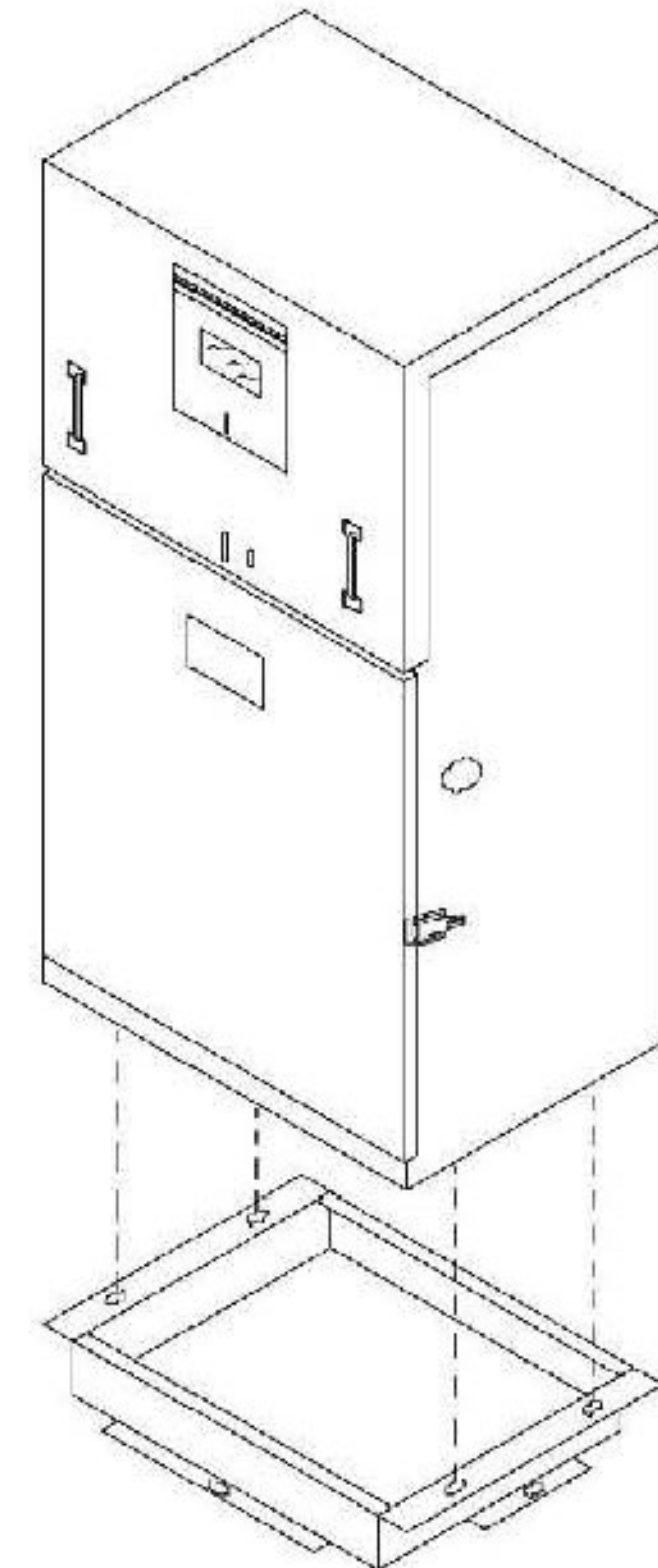


**Standard Model**  
 Custom Configurations also available.  
 Consult your factory representative.

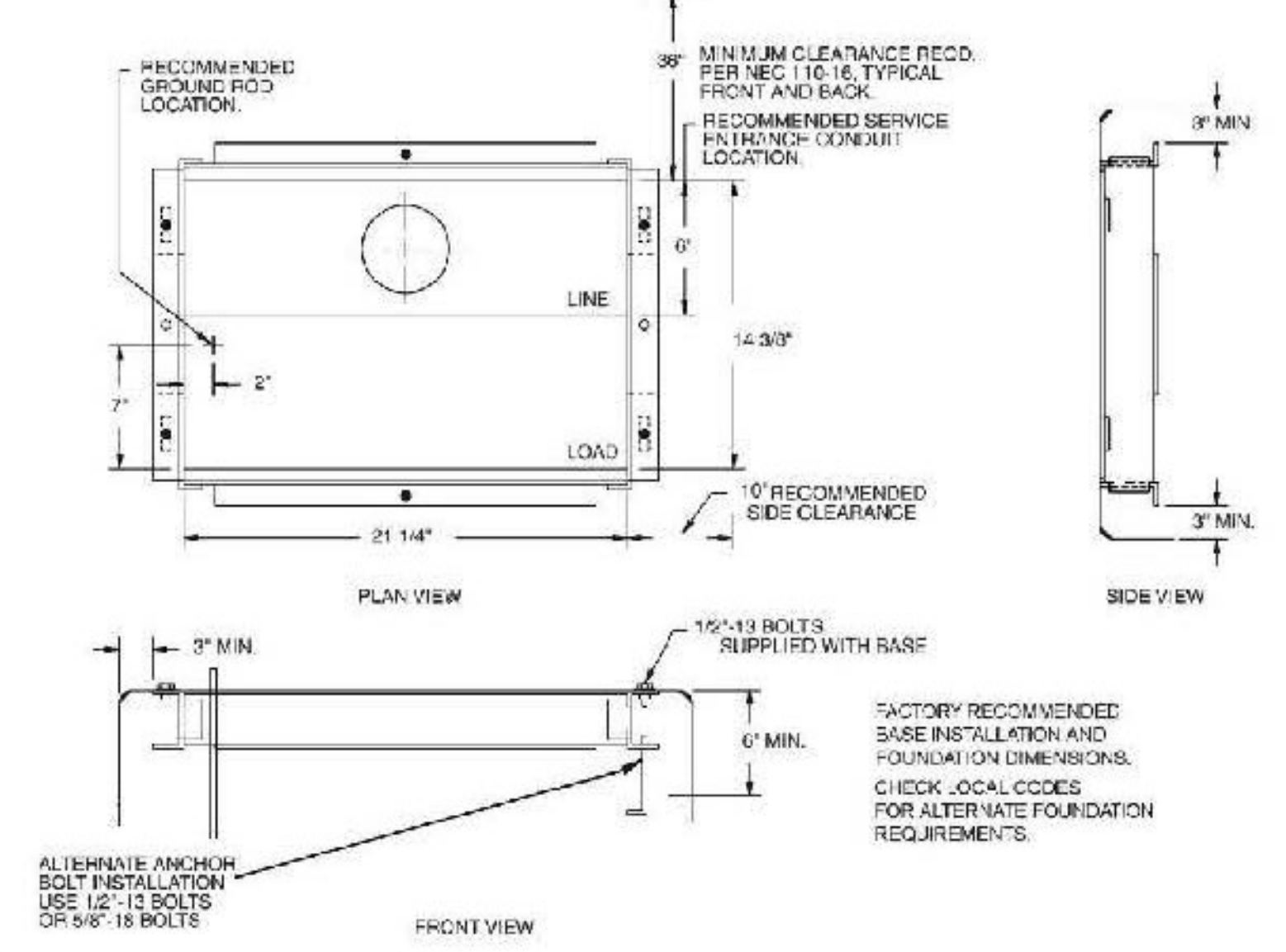
Catalog No.	Amps	Voltage	Main	AIC Rating
MEUG24-S-M100	100	120/240	100A	10,000

For aluminum enclosure, order MEUG24A-  
 For stainless steel enclosure, order MEUG24X-



**BOTTOM VIEW**  
 MOUNTING SLOT DETAIL

**BASE DETAIL**



FACTORY RECOMMENDED  
 BASE INSTALLATION AND  
 FOUNDATION DIMENSIONS.  
 CHECK LOCAL CODES  
 FOR ALTERNATE FOUNDATION  
 REQUIREMENTS.



980 QUAKER HIGHWAY ( 146A ) ■ UXBRIDGE, MA ■ 01569  
 508-278-0446 ■ WWW.MARLIN-CONTROLS.COM

1199-05-06L1