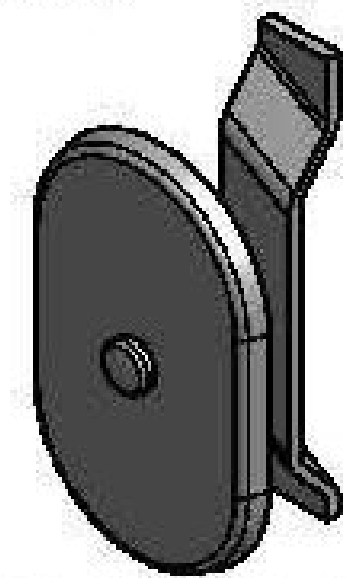
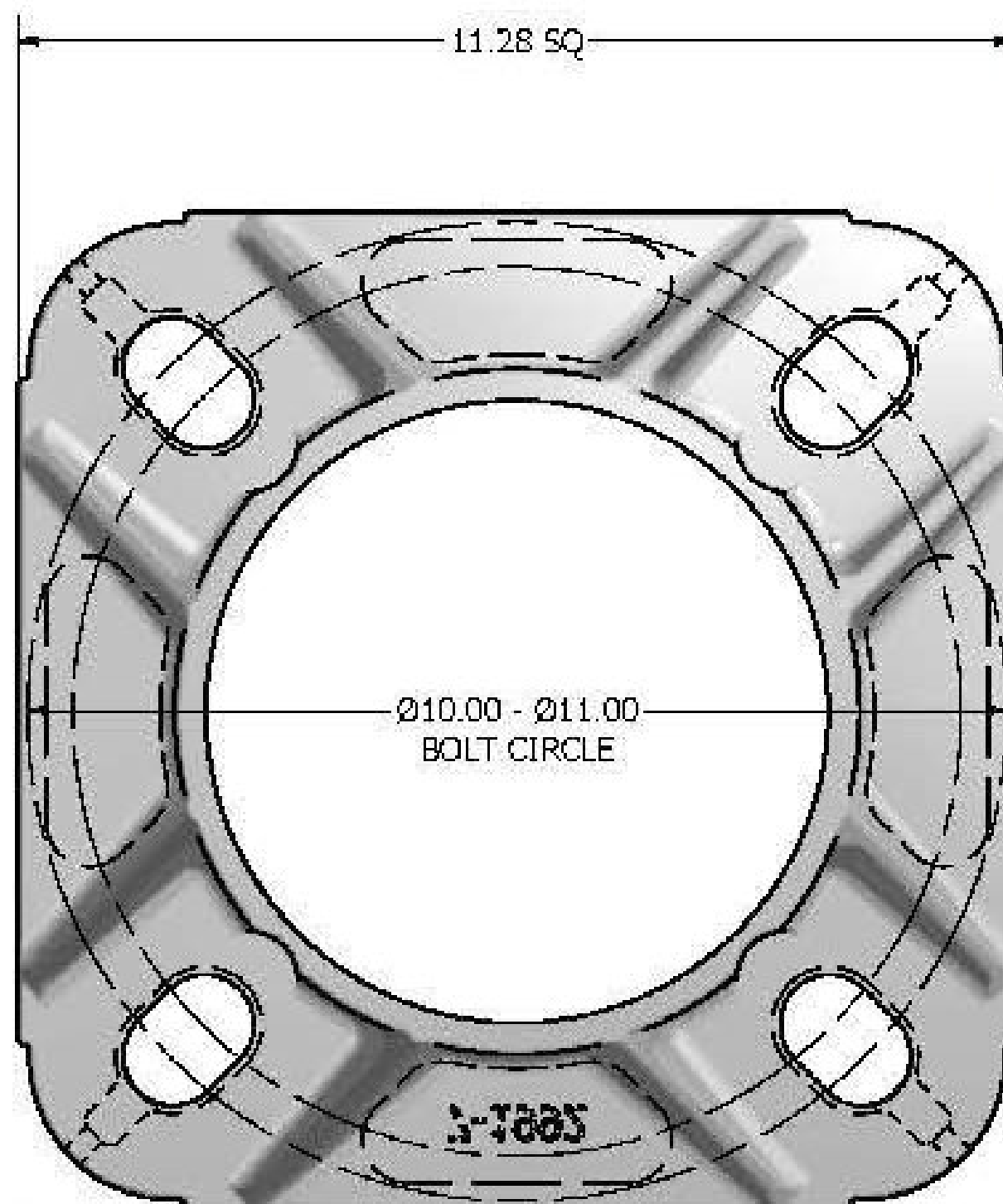


POLE SHAFT SPECIFICATIONS					
NO.	1. SHAFTS ARE ONE SECTION DESIGN FABRICATED FROM 6063 T6 ALUMINUM EXTRUSION-SPUN TAPERED.				
2.	BASE CASTING IS 356 T6 ALUMINUM. THE SHAFT TELESCOPES INTO THE BASE CASTING AND IS CIRCUMFERENTIALLY WELDED TOP AND BOTTOM.				
3.	ANCHOR BOLTS ARE "L" FORMED RODS HAVING A MINIMUM YIELD STRENGTH OF 55,000 P.S.I. FABRICATED FROM 304 STAINLESS STEEL AND FURNISHED COMPLETE WITH 2 HEX NUTS AND 2 FLAT WASHERS.				
4.	POLES SHALL HAVE A POLYESTER POWDER COAT CUSTOM COLOR (LUMEC BRONZE) FINISH.				
POLE DIMENSIONS					
POLE HGT (FT.)	TOP DIA. (IN.)	BOTTOM DIA. (IN.)	GAGE	MTG. HGT. (FT.)	
18'	4.50	7.00	0.156	20'	
BASE PLATE DIMENSIONS					
BOLT CIRCLE (IN.)	BASE PLATE DIM. (IN.)	BOLT HOLE (IN.)	PLATE THK. (IN.)		
10.00-11.00	11.28 SQ	1.13	1.00		
ANCHOR BOLT DIMENSIONS					
ANCHOR BOLT DIA. (IN.)		ANCHOR BOLT LENGTH (IN.)			
1.00		40.00			
ALLOWABLE WIND LOADING (SQ. FT.)					
WIND*	INDICATED EPA	80 MPH	90 MPH	100 MPH	120 MPH
EPA	-	17.7	13.6	10.8	6.9

*1994 AASHTO LTS-3 (1.3 GUST FACTOR)

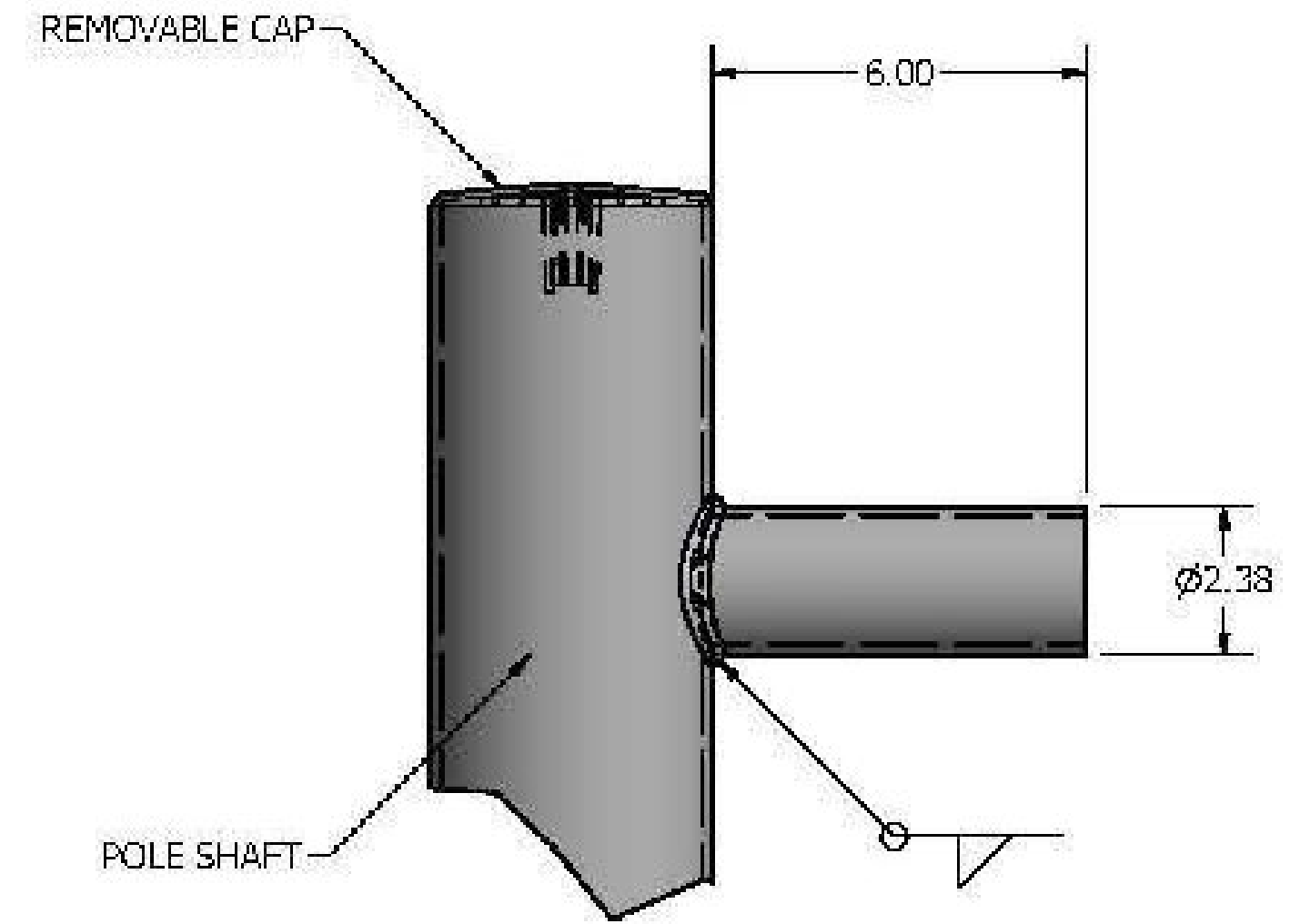


3.00 X 5.00 HAND HOLE COVER

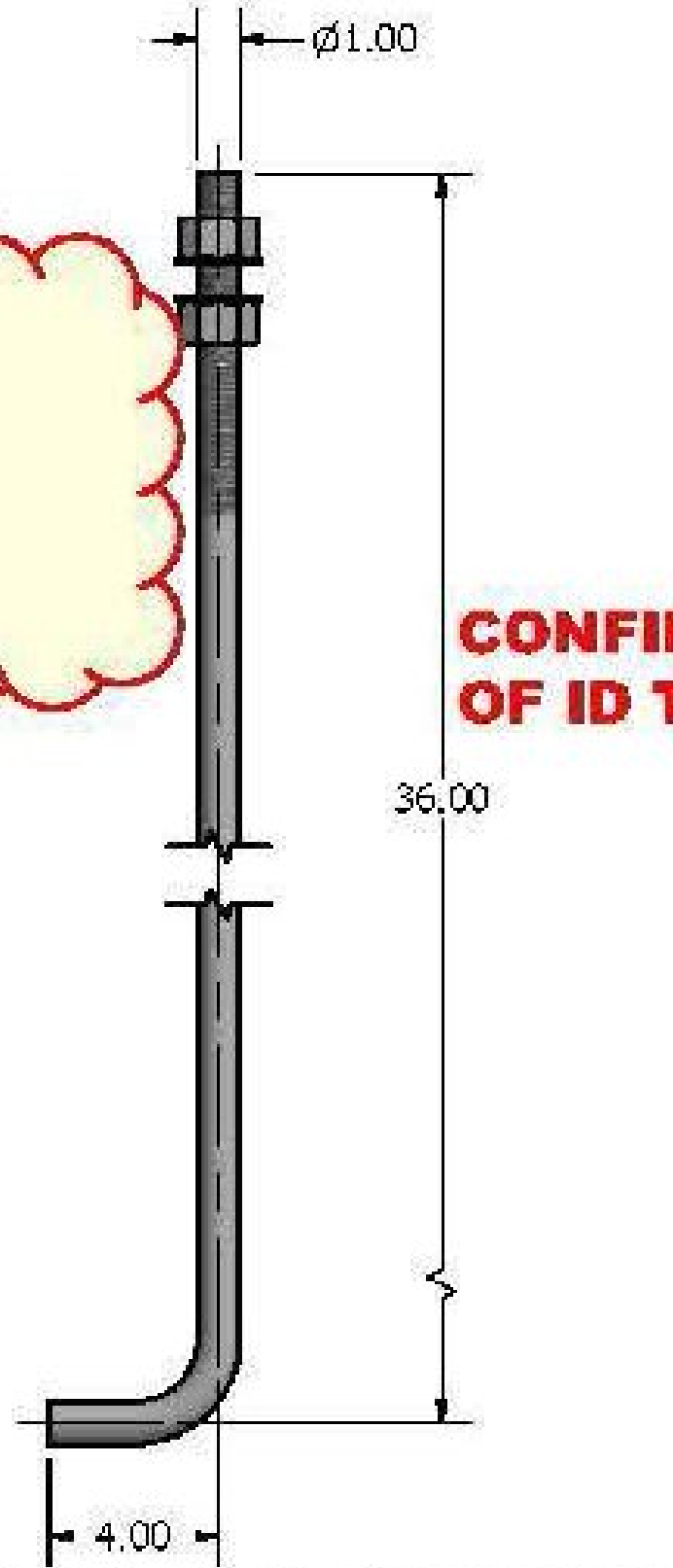


11.28 X 11.28 X 3.38 THK BASE CASTING

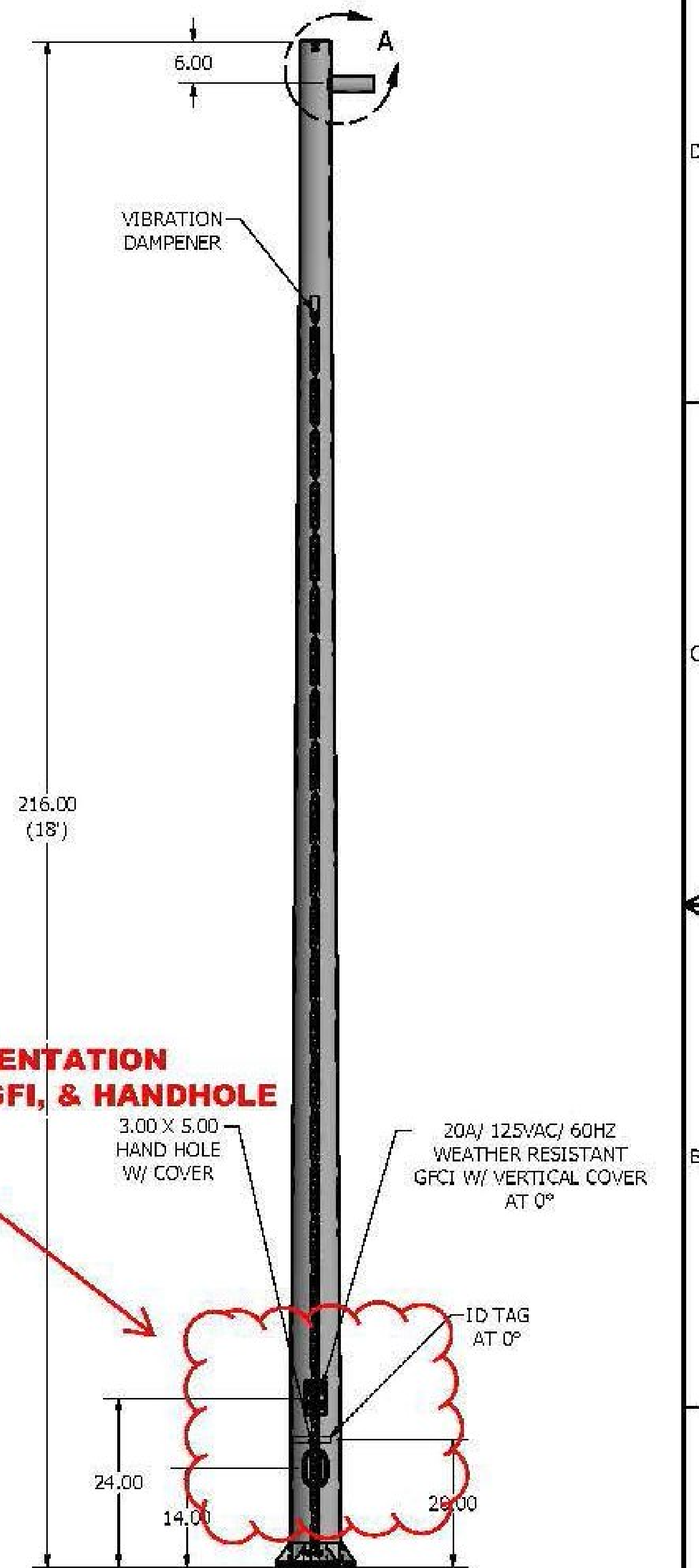
QTY OF (6) ON THE PROJECT
TYPES SL9, SL10, SL11, SL12,
SL13, SL14



DETAIL A
MODTENON DETAIL VIEW



Ø1.00 X 40.00 ANCHOR BOLT
(STAINLESS STEEL)



POLE DETAIL

lyte poles
P.O. Box 340
Eastpointe, MI 48021
P: (586) 771-4610 | F: (586) 771-5527
www.lytepoles.com
a DVM company

DRAWN:	S. HARVALA	3/24/2015
CHECKED:		
REVISION:		DATE:
APPROVED:		
QUOTE:	1403642	
S.O.#		
REF:		SCALE: NONE

SOME GEOGRAPHICAL AREAS HAVE SPECIAL WIND CONDITIONS THAT CAN CAUSE WIND INDUCED VIBRATIONS CAUSING A FATIGUE PROBLEM. NO METHOD HAS YET BEEN FOUND FOR PREDICTING DESTRUCTIVE LIGHTING POLE VIBRATION. THESE CONDITIONS ARE UNIQUE AND CANNOT BE GUARANTEED AGAINST, AND ARE THE RESPONSIBILITY OF A LOCAL SPECIALIST.		
TITLE: SPRINGFIELD, VT PARK & RIDE		
CATALOG: 405-7015-18-VD-GFI-MODTENON-SSAB-IDTAG-CC		
DWG NO:	SD-7119	SIZE C
		SHEET 1 OF 1

