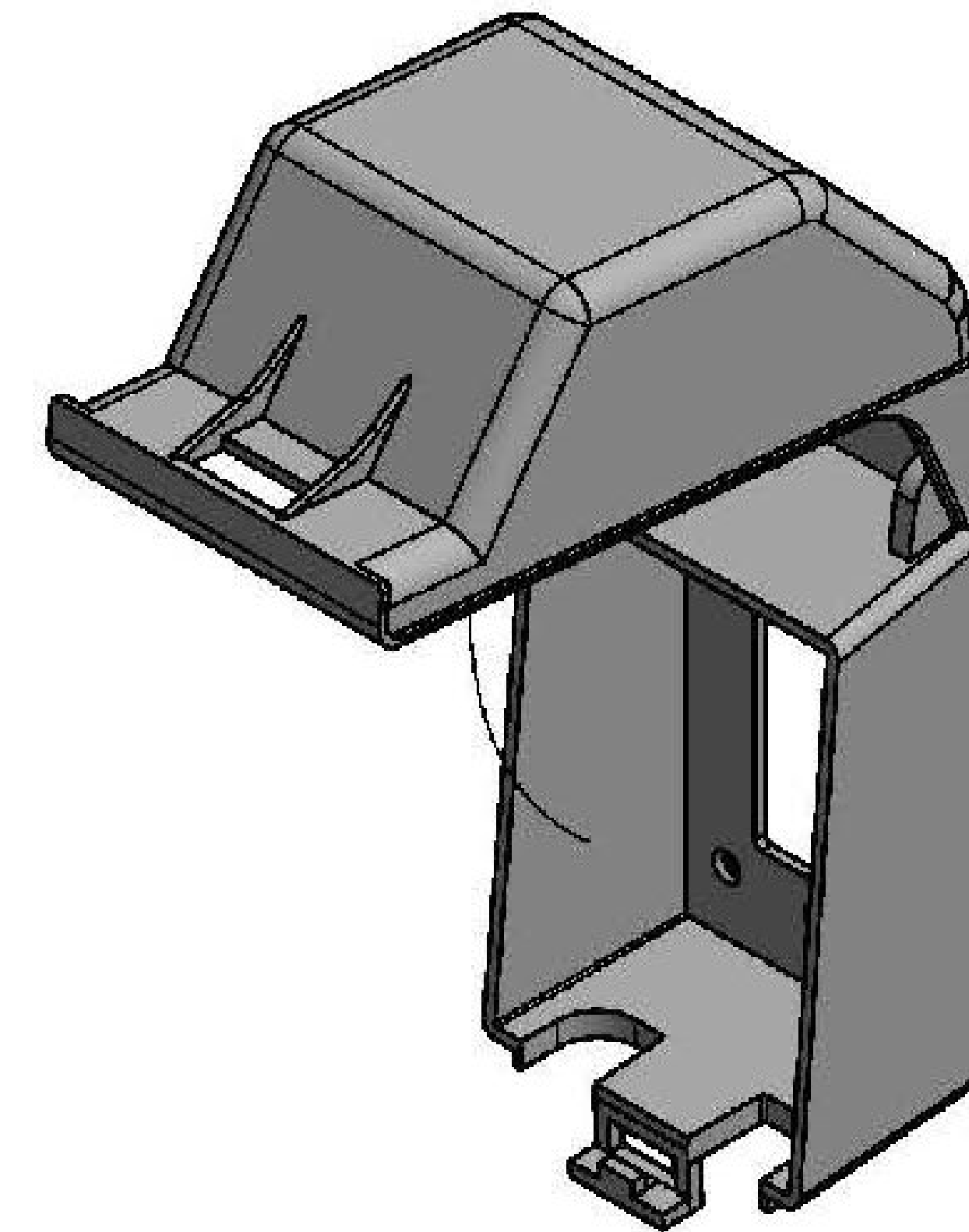
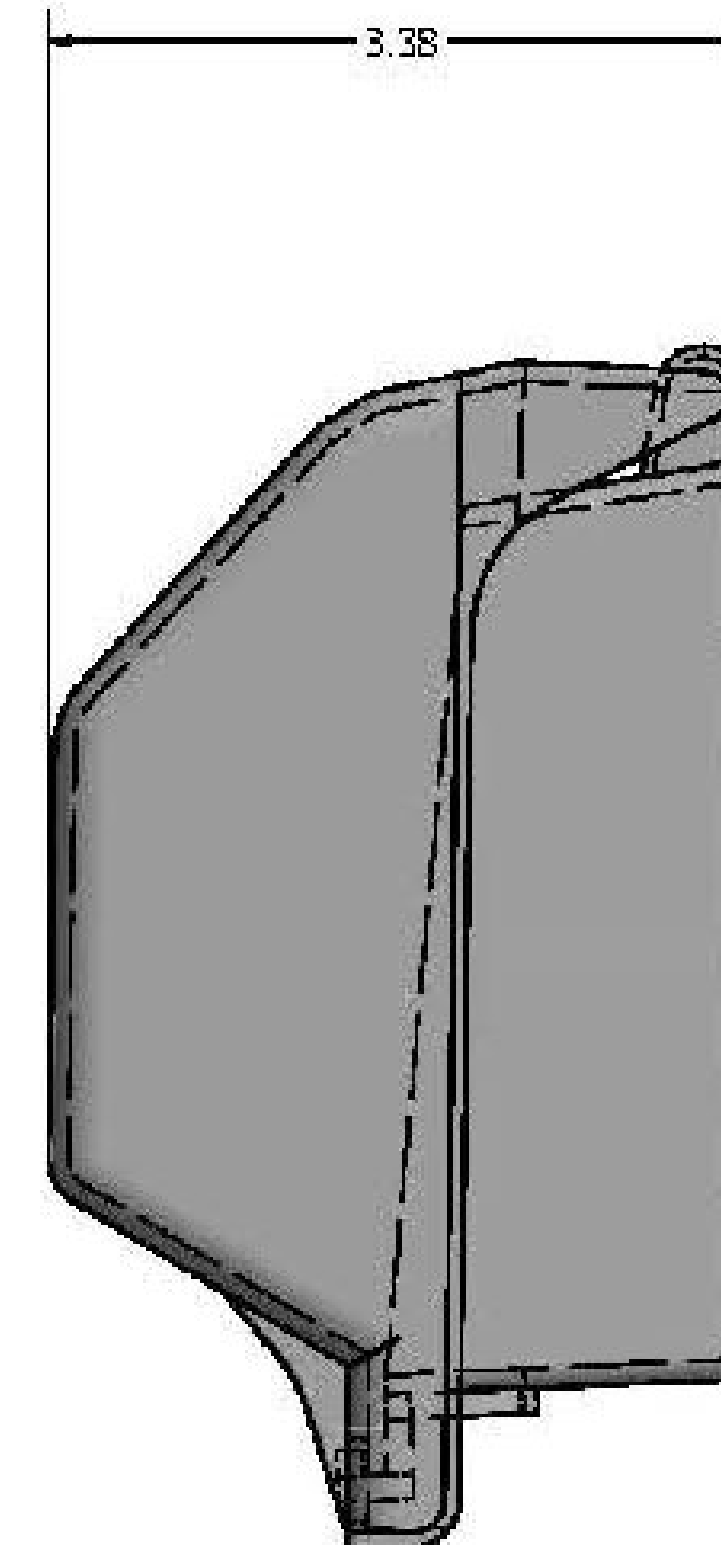
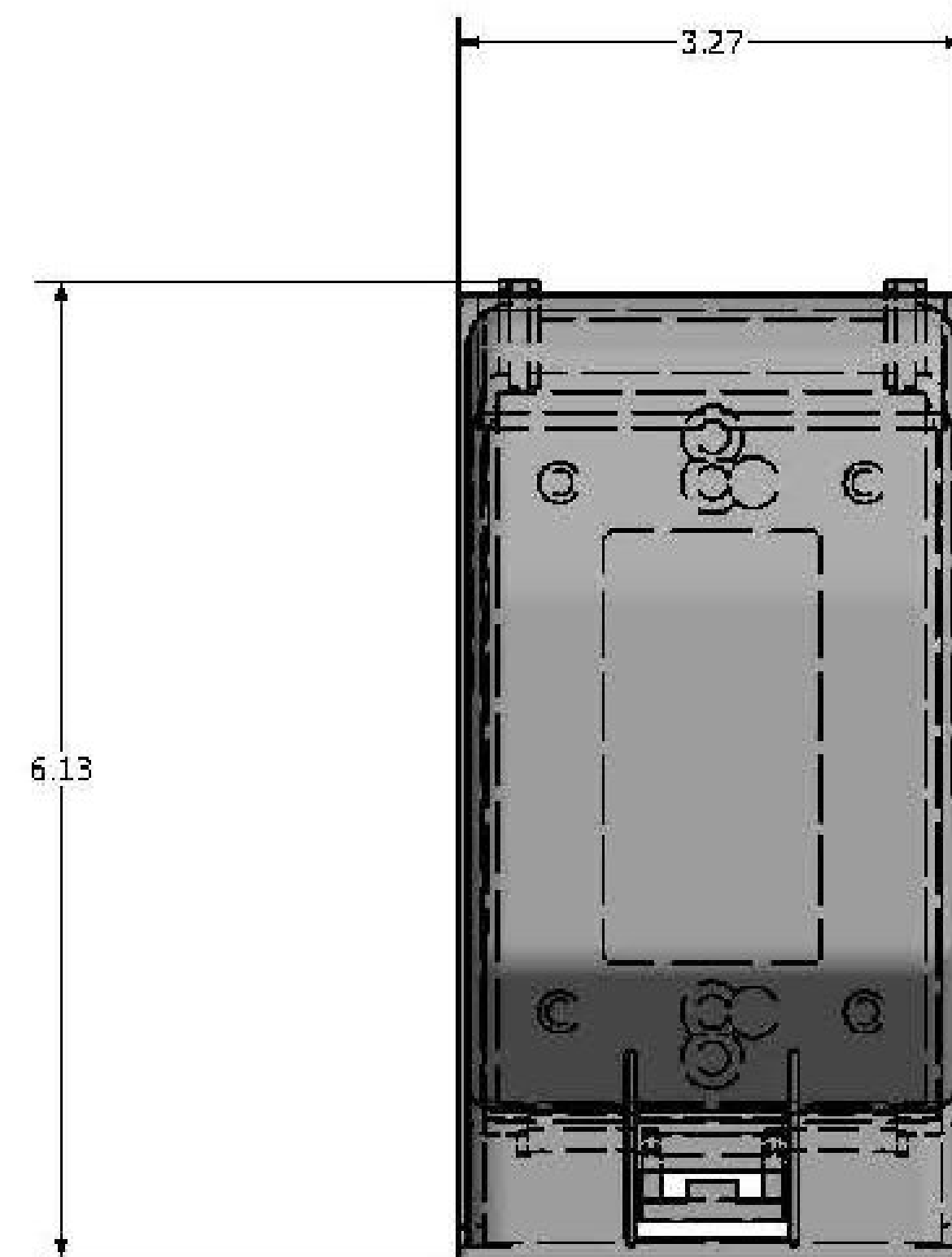


NOTES:

1. WEATHER PROOF WHILE IN USE
2. HEAVY DUTY ALL METAL CONSTRUCTION
3. LOCKABLE SECURITY COVER
4. 3 1/4 IN. INTERNAL DEPTH
5. FOR USE WITH GFCI, DUPLEX, SWITCH, OR SINGLE RECEPTACLES.
6. MEETS NEC EXTRA DUTY REQUIREMENTS
7. PROVIDED WITH ADAPTER PLATES AND FOAM GASKET.



✓ WEATHERPROOF COVER
OPEN POSITION



UNIVERSAL METAL WEATHERPROOF COVER

FINISH: COVER SHALL HAVE A POLYESTER POWDER COAT FINISH TO MATCH POLE. ✓



P.O. BOX 340 • EASTPOINTE, MI 48021
PHONE: 586-771-4610 • FAX: 586-771-5527
WWW.LYTEPOLESINC.COM

DRAWN:	M. HARVALA	4/14/2014
CHECKED:		
REVISION:		DATE:
APPROVED:		
QUOTE:		
S.O.#		
REF:		SCALE: NONE

TITLE:	
CATALOG NO.	
DWG NO:	IUC
SIZE	C
SHEET	1 OF 1

