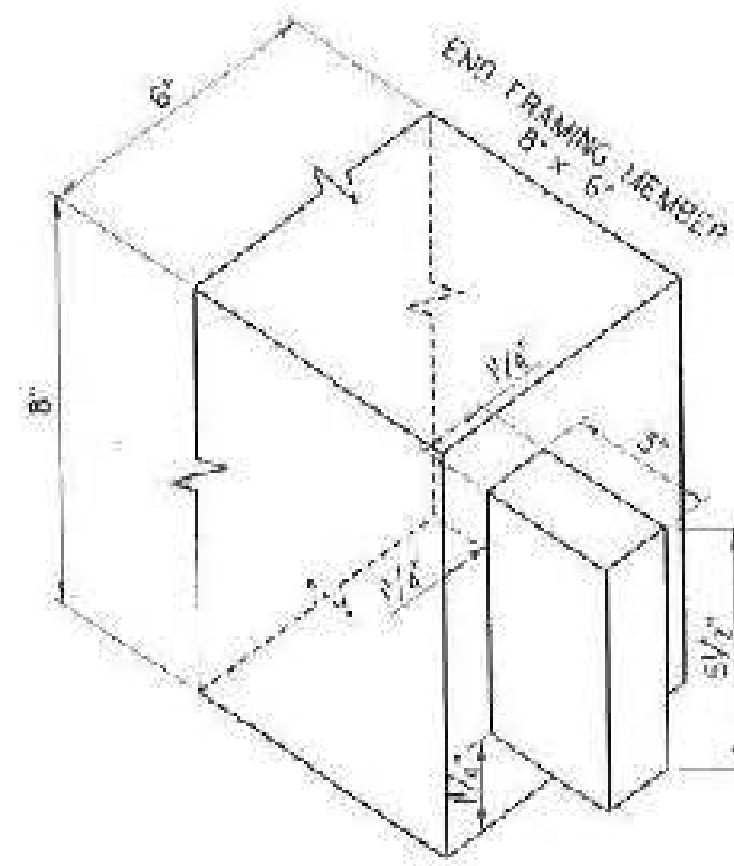
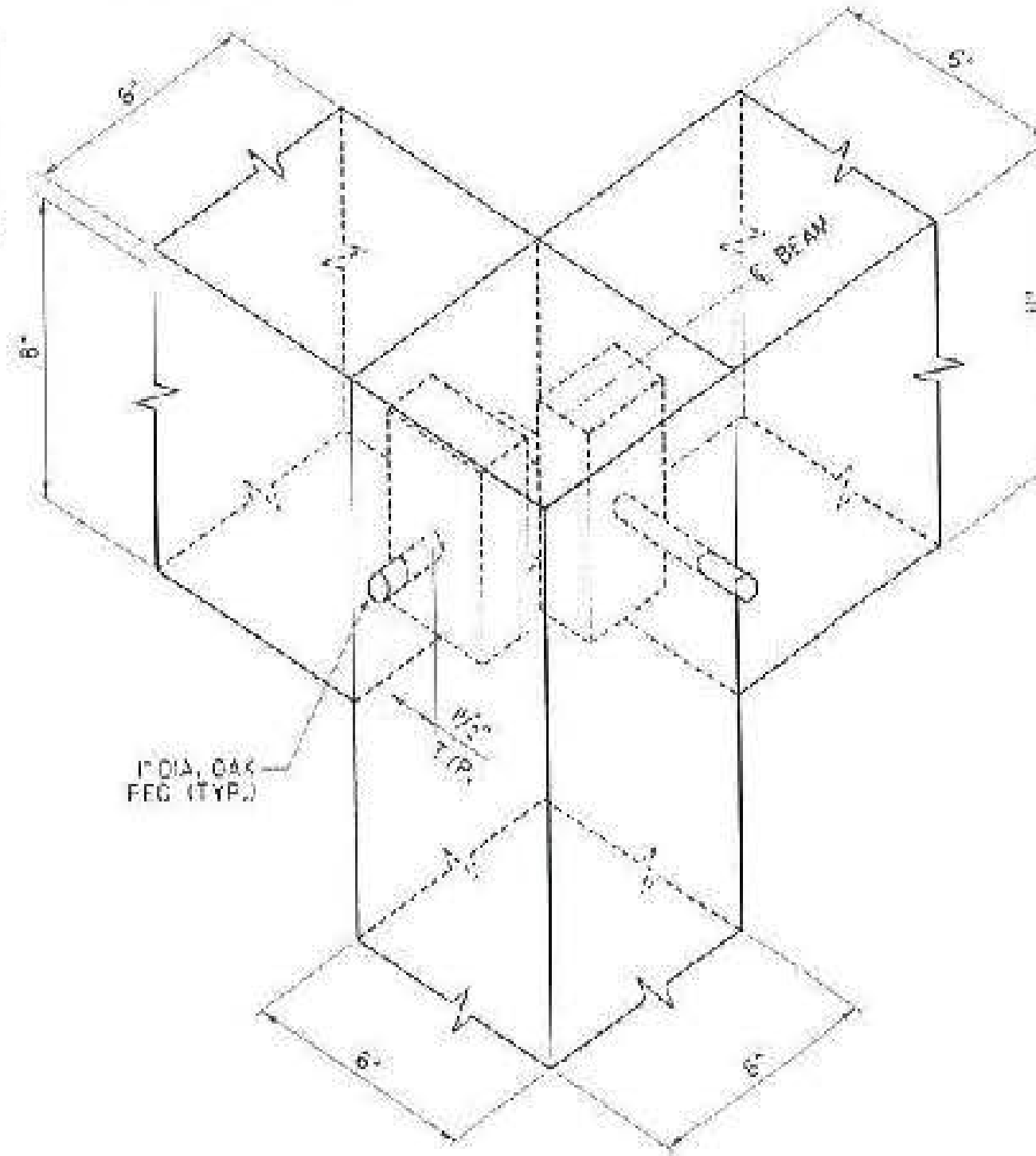


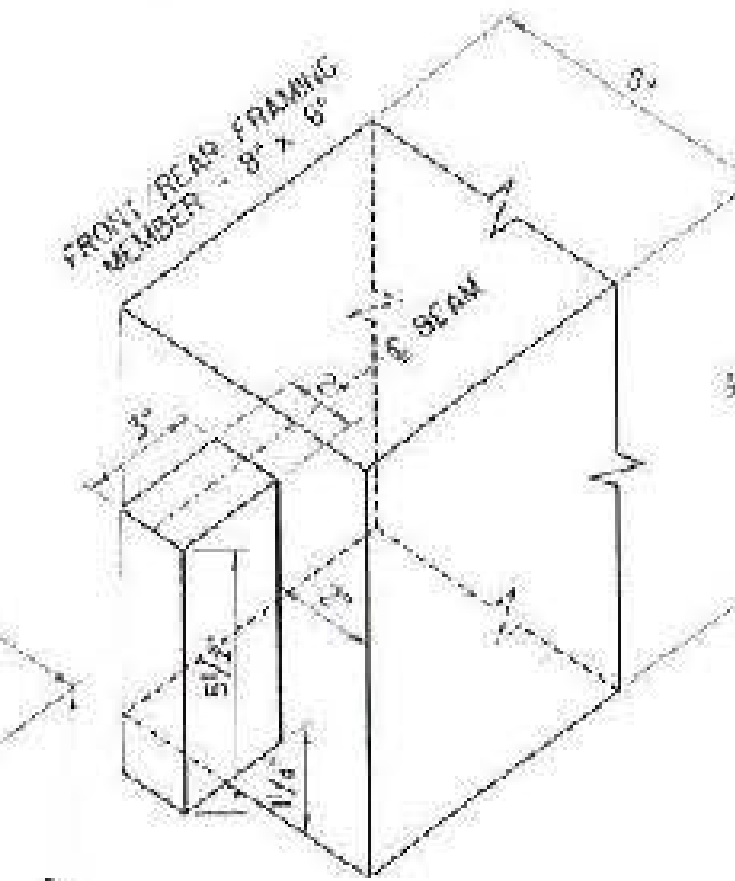
DETAIL "B"
SCALE 1/4" = 1'-0"



MORTISE & TENON
DETAIL



DETAIL "C"
SCALE 1/2" = 1'-0"



MORTISE & TENON
DETAIL

Ingram Construction Corp.
Approved for Submittal
Date 4/16/15 By SPC



| | |
|--------------------|---------------|
| PROJECT NAME: | SPRINGFIELD |
| PROJECT NUMBER: | OMG PARK (32) |
| FILE NAME: | 208K250.dwg |
| PROJECT LEADER: | V. FISBY |
| DESIGNED BY: | J. UNDERSTAD |
| BUS SHEET DETAILS: | 3 |
| PLT DATE: | 6/27/2014 |
| DRAWN BY: | L. SUTTON |
| CHECKED BY: | C. BOHNE |
| SHEET: | 21 OF 45 |