



111 North River Road
 North Aurora, IL 60542
 Phone: (800) 323-5664
 Fax: (630) 897-0573
 sales@belson.com

Model # U190-SF-P

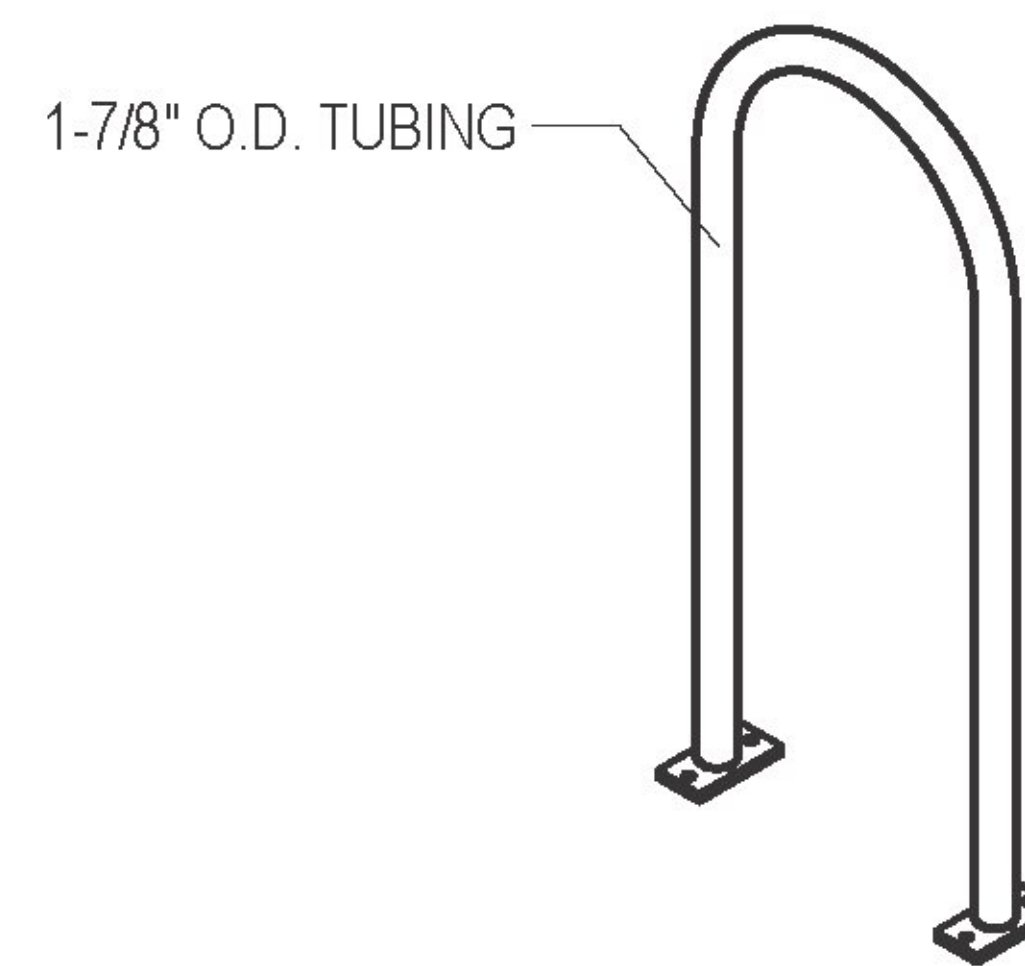
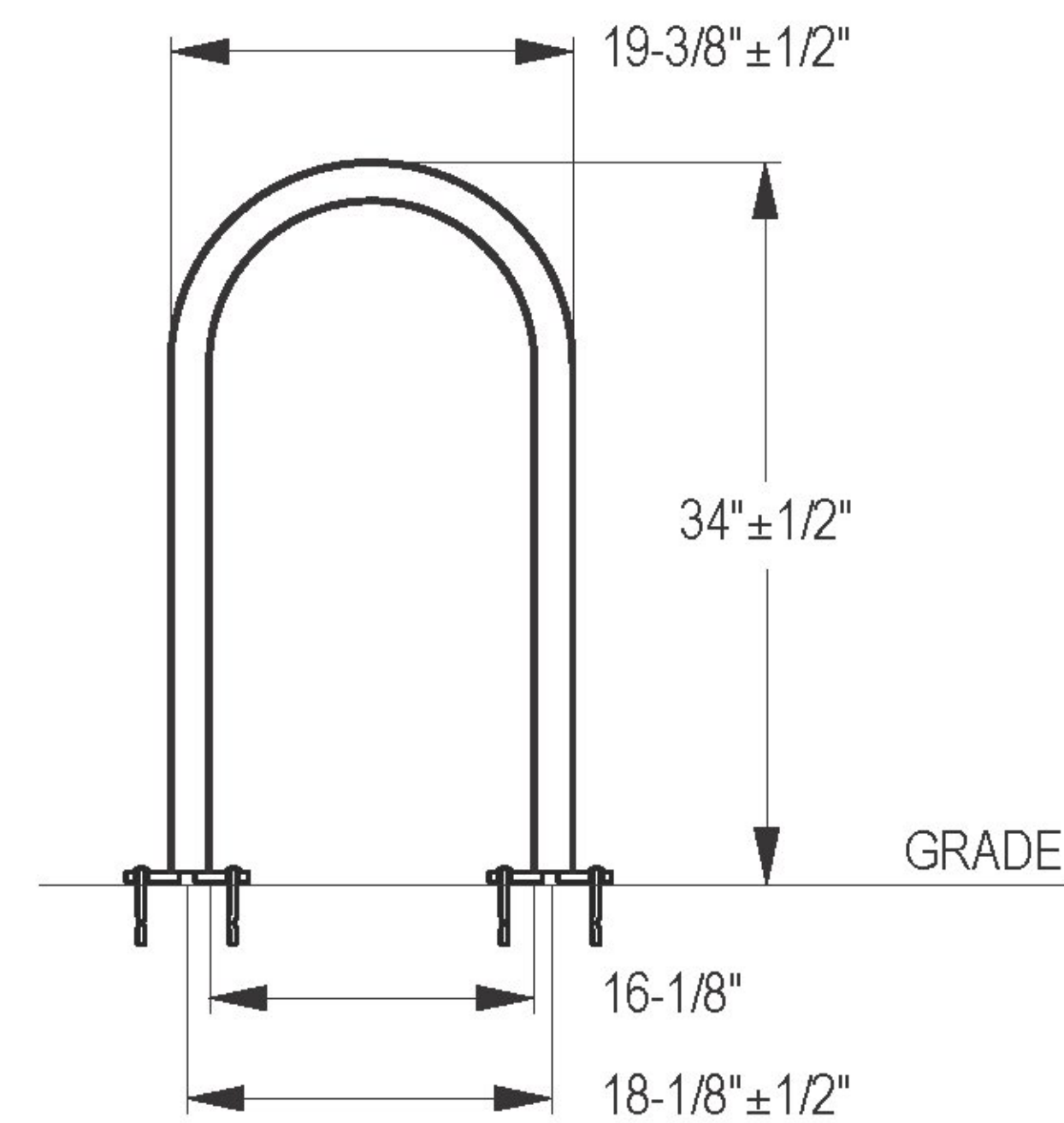
Dimension Sheet

Quantity: 4

Galvanized & Powder Coated Black

U RACK | 1 LOOP 3 BIKES

ELEVATION VIEW



APPROVED: Approval of drawings and/or procedures indicates concurrence with the information presented and does not relieve the Contractor or Fabricator of compliance with all specifications and code requirements	X	
APPROVED AS NOTED		
REVISE AND RESUBMIT		
NOT REVIEWED		
Date: 5-1-2015		
Signature: <i>Marc Fussy</i>		
<small>This review by Stantec Consulting Services Inc. is for the sole purpose of ascertaining conformance with the general design concept. This review shall not mean that Stantec Consulting Services Inc approves the detail design inherent in the shop drawings, responsibility for which shall remain with the Contractor. Submitting same, and such review shall not relieve the Contractor of his responsibility for errors or omissions in the shop drawing or of his responsibility for meeting all requirements of the Contract Documents. The contractor is responsible for dimensions to be confirmed and correlated at the job site, for information that pertains solely to the fabrication processes or to techniques of construction and installation and for coordination of the work of all subtrades.</small>		

