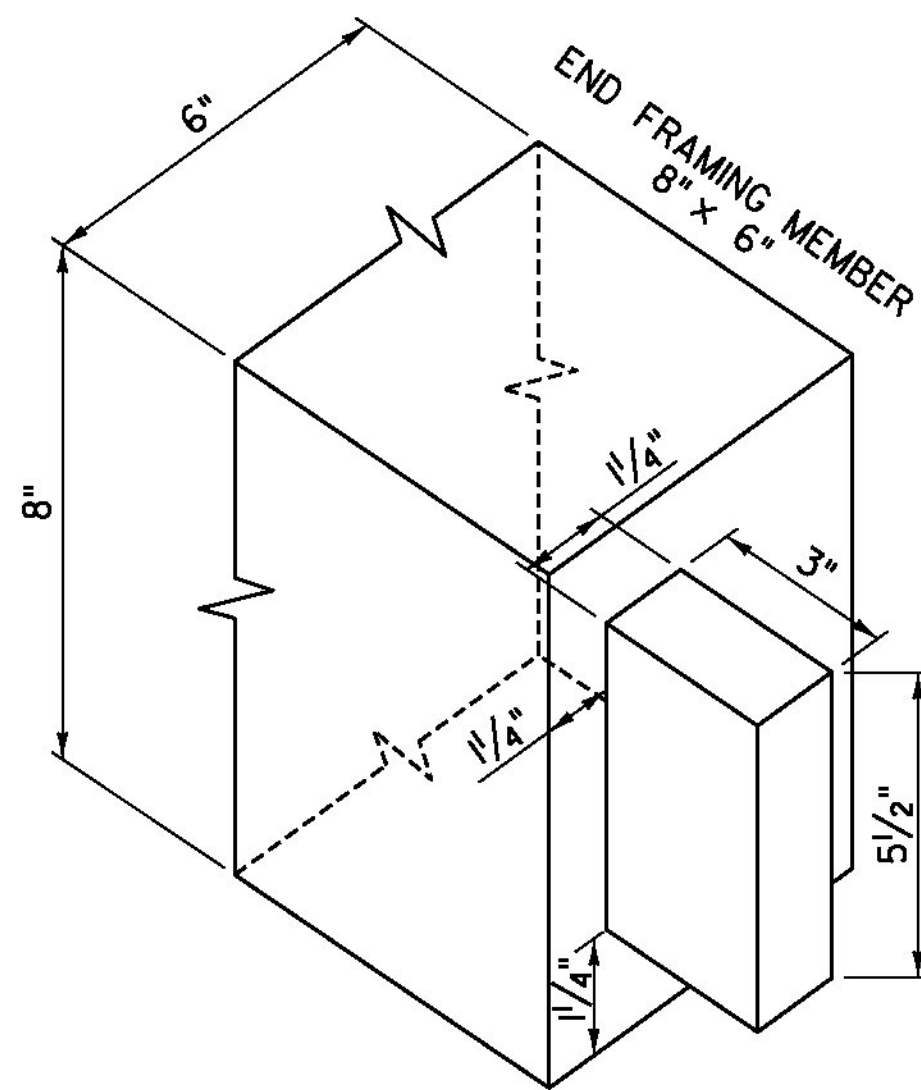
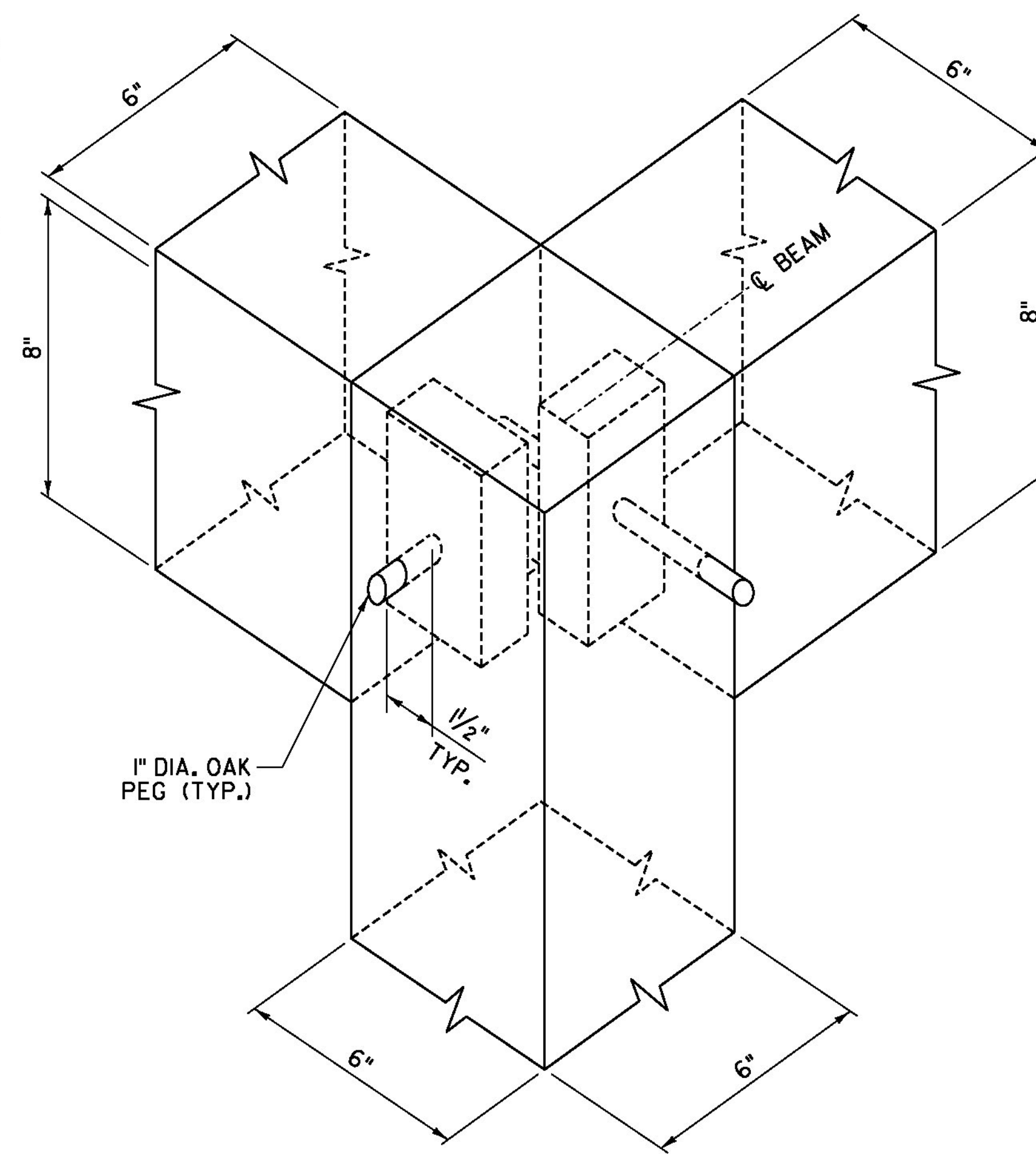


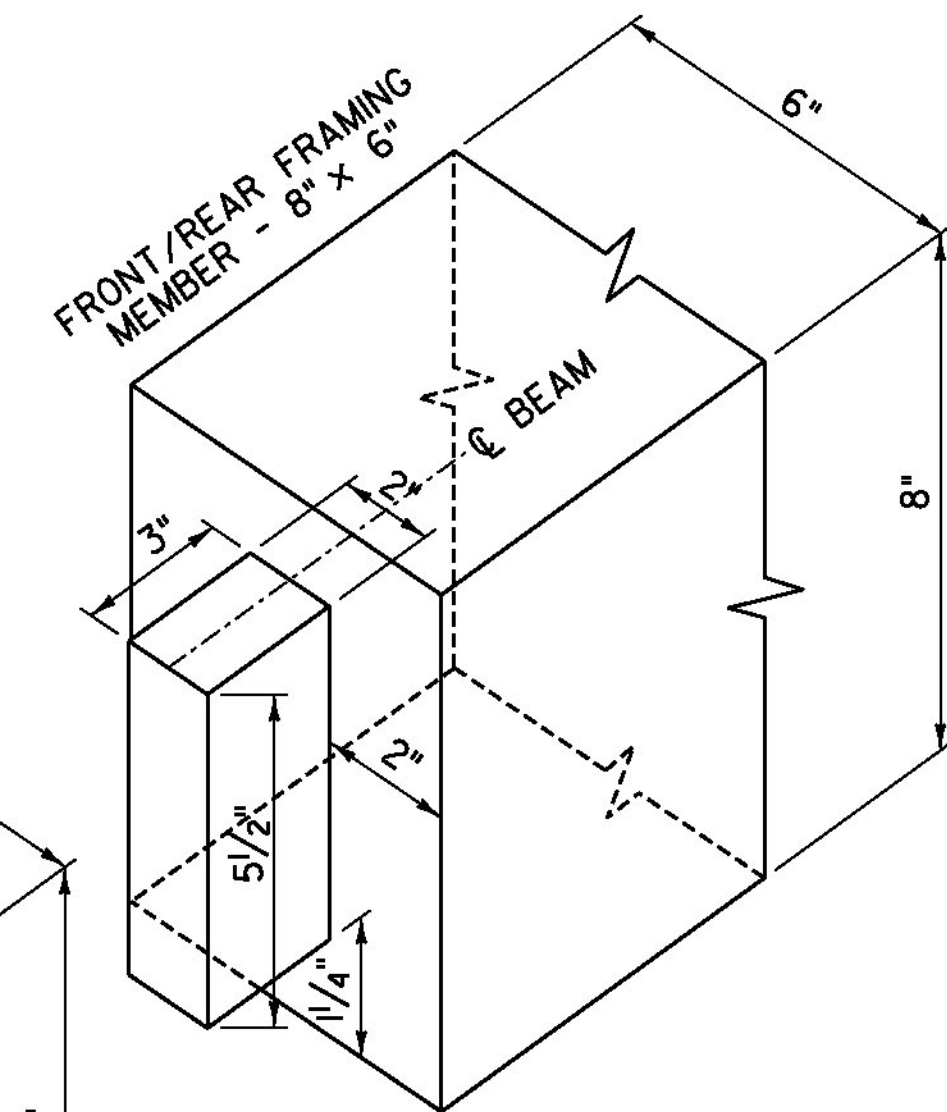
DETAIL "B"
SCALE 1/2" = 1'-0"



MORTISE & TENON
DETAIL



DETAIL "C"
SCALE 1/2" = 1'-0"



MORTISE & TENON
DETAIL

PROJECT NAME: SPRINGFIELD
PROJECT NUMBER: CMG PARK (32)

FILE NAME: z09k250shitr_def.dgn PLOT DATE: 6/25/2014
PROJECT LEADER: M. FOISY DRAWN BY: L. BUXTON
DESIGNED BY: J. HUNGERFORD CHECKED BY: G. BOGUE
BUS SHELTER DETAILS 3 SHEET 27 OF 43

