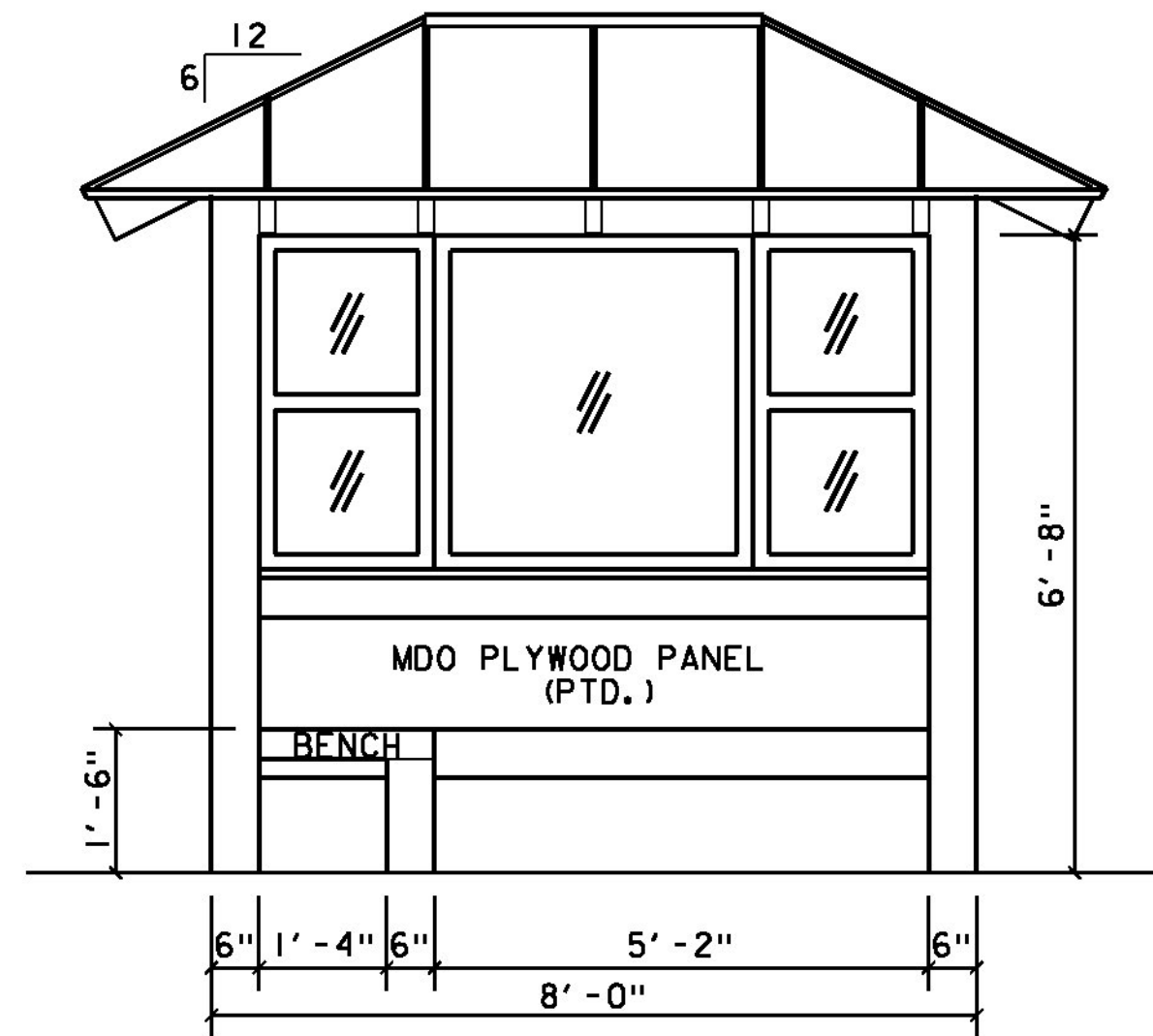
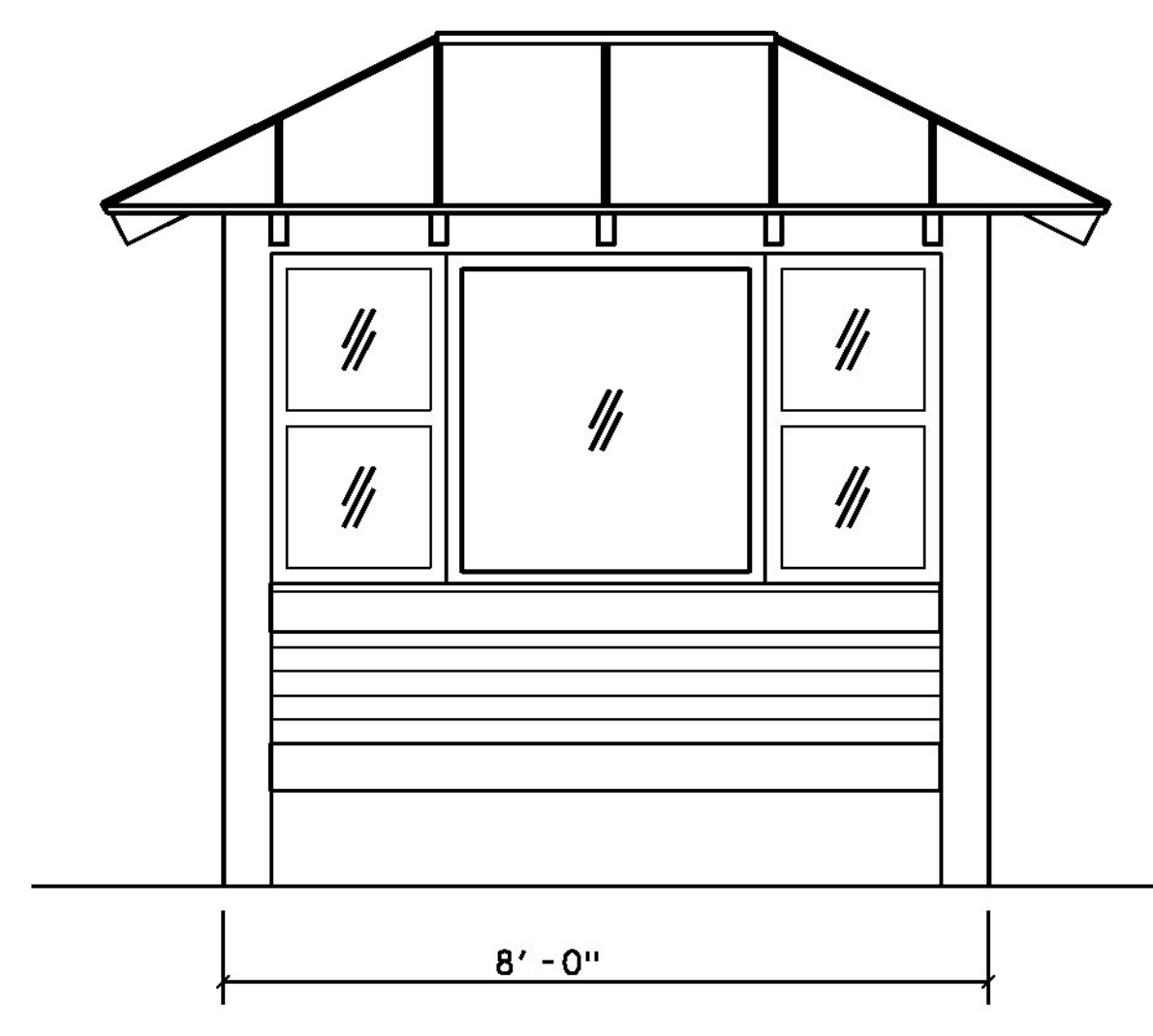


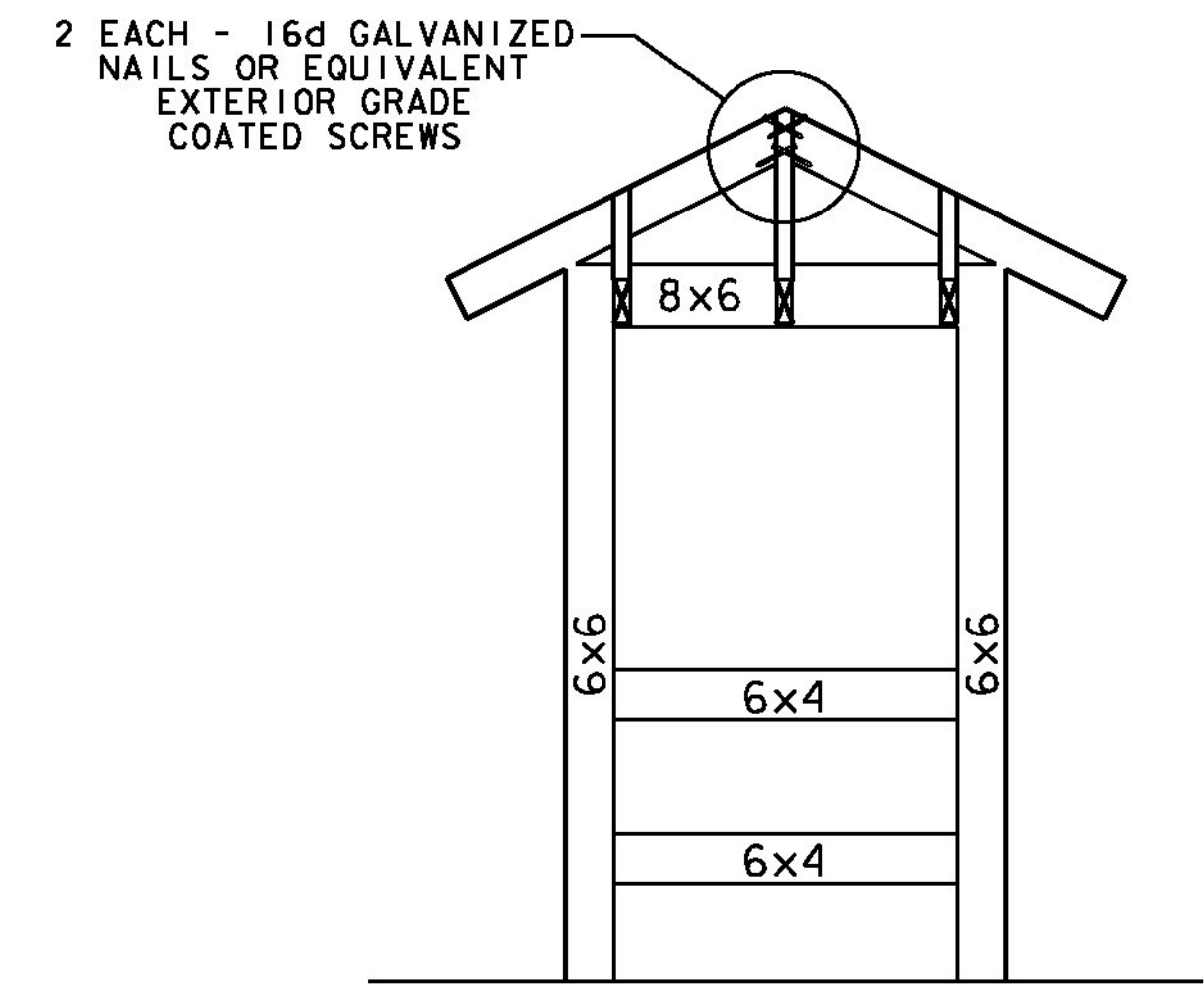
END ELEVATION (TYP.)
SCALE: 1/2" = 1'-0"



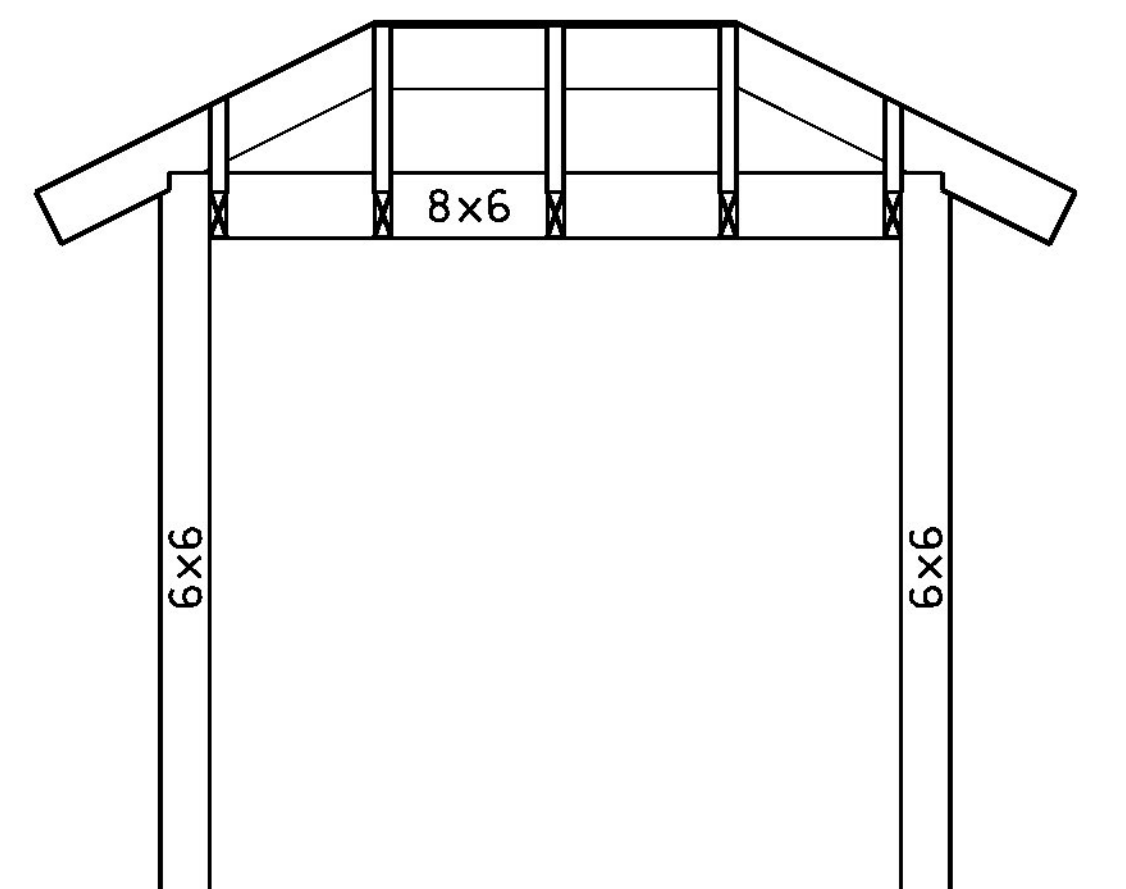
FRONT/INTERIOR ELEVATION
SCALE: 1/2" = 1'-0"



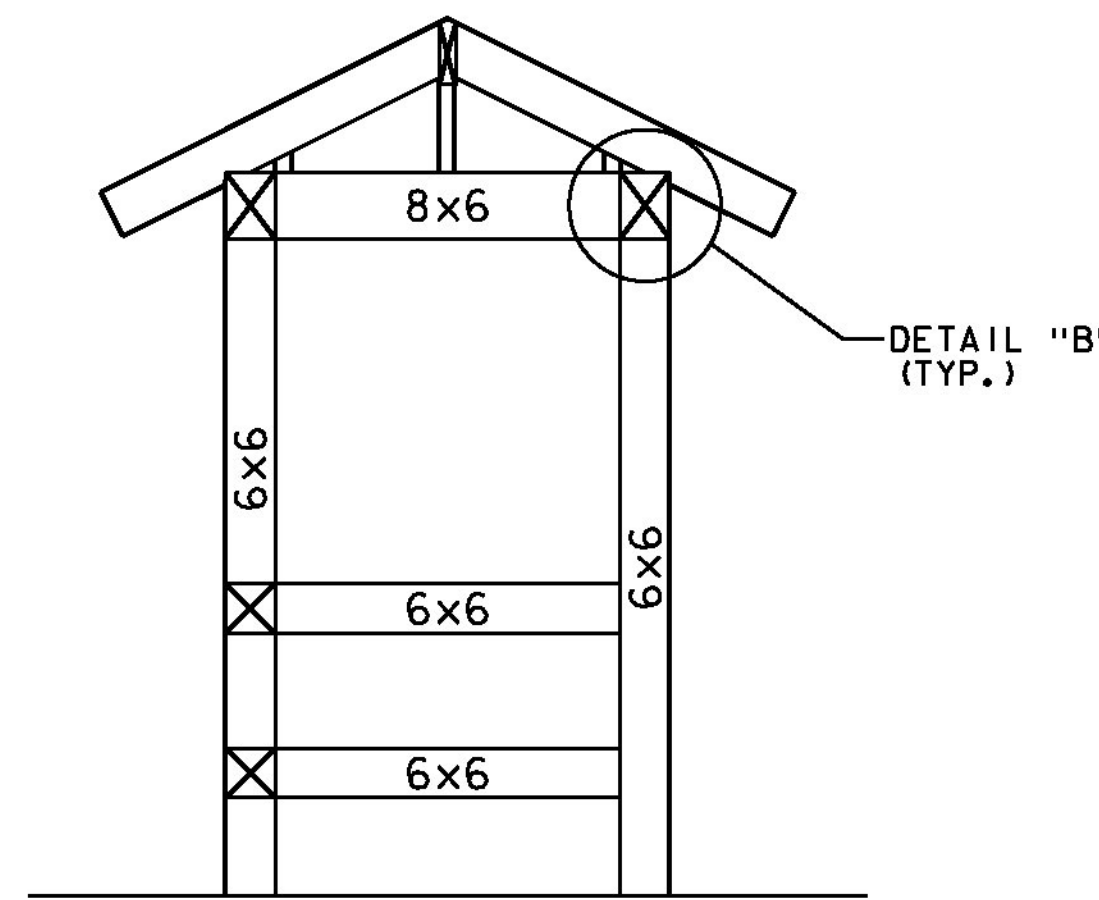
REAR ELEVATION
SCALE: 1/2" = 1'-0"



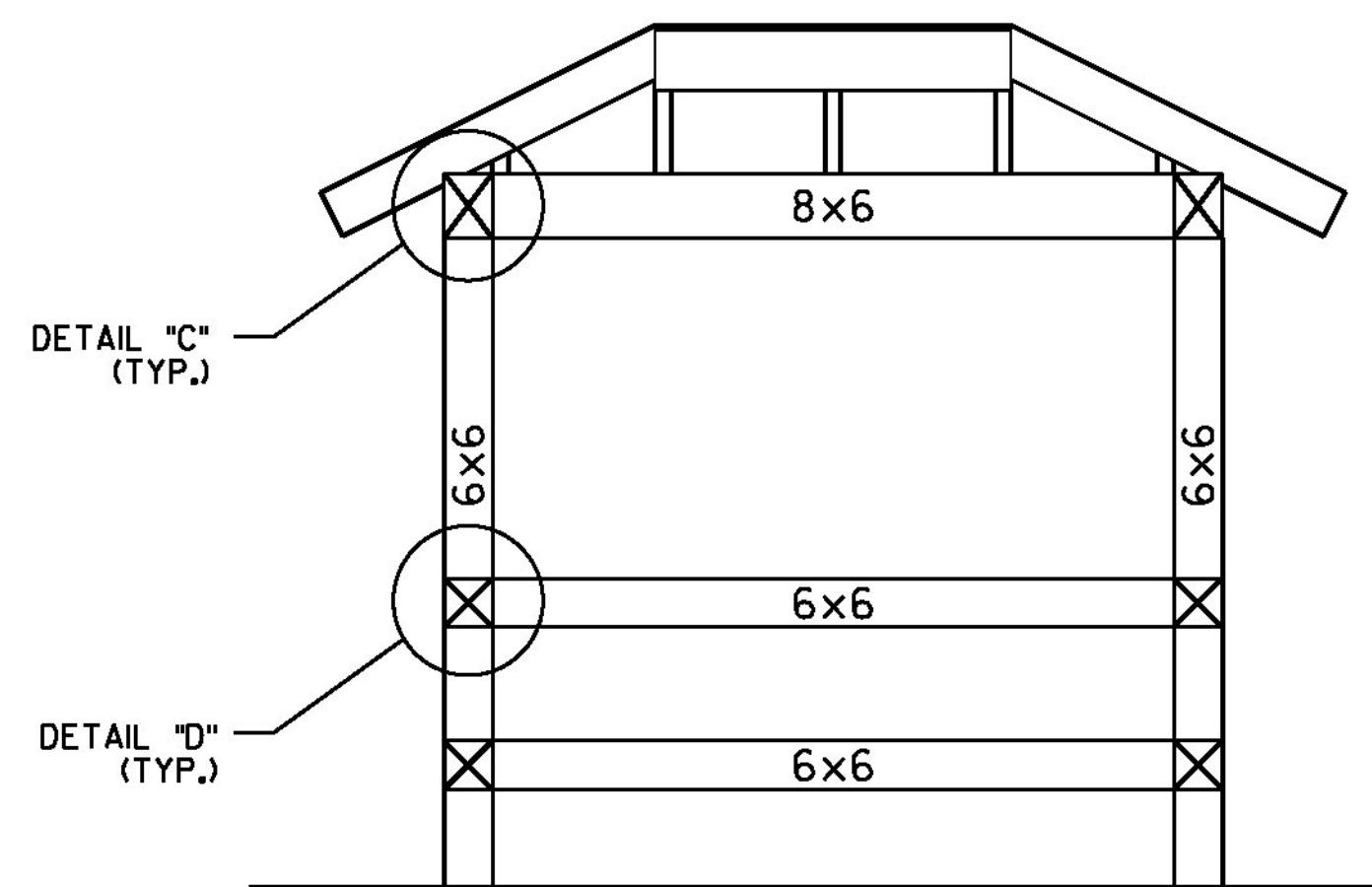
END FRAMING - ELEVATION
SCALE: 1/2" = 1'-0"



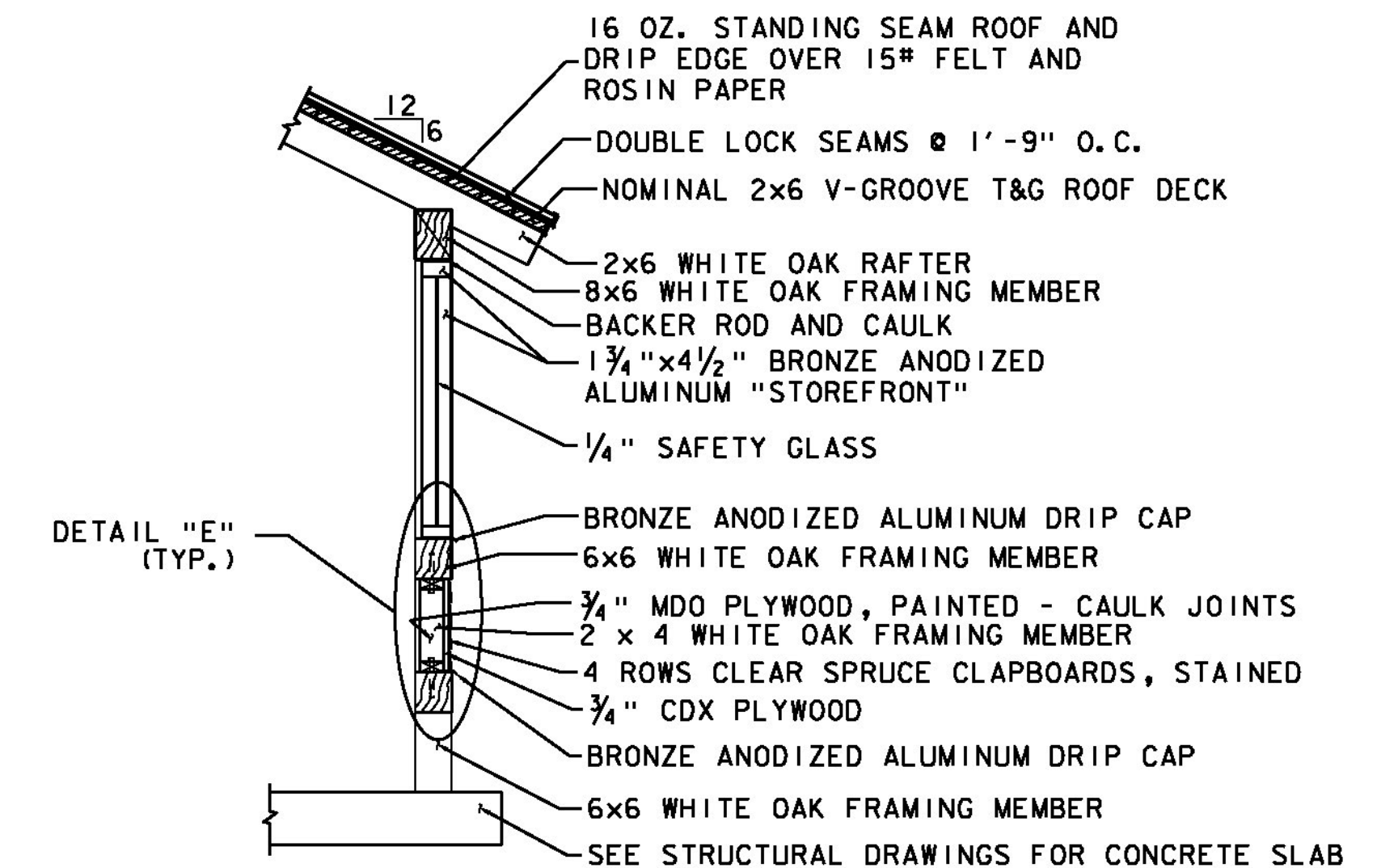
FRONT/REAR FRAMING - ELEVATION
SCALE: 1/2" = 1'-0"



END FRAMING - SECTION
SCALE: 1/2" = 1'-0"

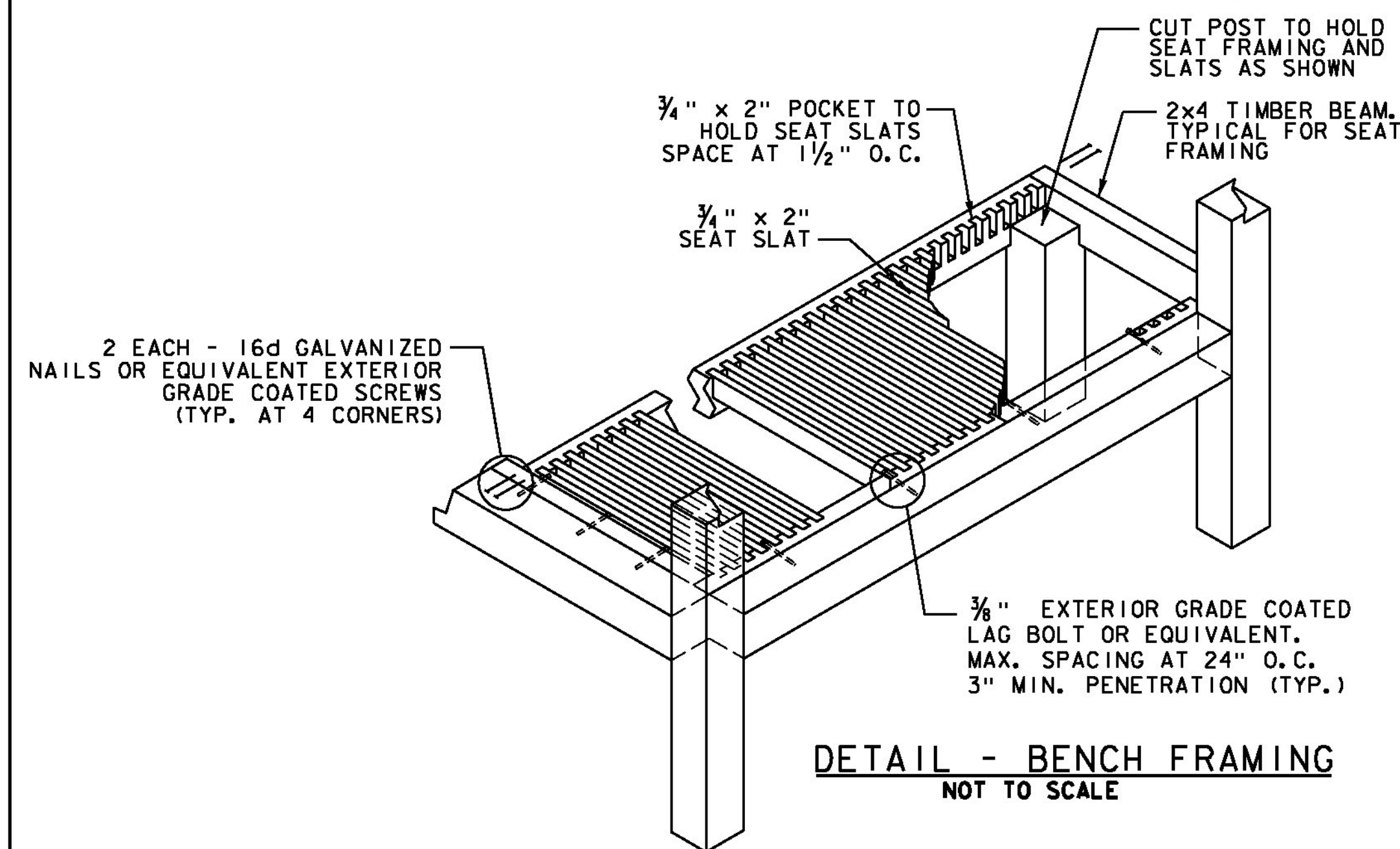


FRONT/REAR FRAMING - SECTION
SCALE: 1/2" = 1'-0"



TYPICAL WALL SECTION
SCALE: 1/2" = 1'-0"

- NOTES**
1. JACK AND COMMON RAFTERS ARE 2x6.
 2. HIP RAFTERS ARE 2x7
 3. RIDGE BEAM IS 2x8



NOTE:
FOR DETAILS B & C, SEE BUSH SHELTER DETAILS 3.
FOR DETAILS D & E, SEE BUS SHELTER DETAILS 4.
ALL DIMENSIONS IN INCHES UNLESS OTHERWISE NOTED.

PROJECT NAME:	SPRINGFIELD	FILE NAME:	z09k250shitr_def.dgn	PLOT DATE:	6/25/2014
PROJECT NUMBER:	CMG PARK (32)	PROJECT LEADER:	M. FOISY	DRAWN BY:	L. BUXTON
		DESIGNED BY:	J. HUNGERFORD	CHECKED BY:	G. BOGUE
		BUS SHELTER DETAILS 2		SHEET	26 OF 43

