

INDEX OF SHEETS

1	TITLE SHEET
2-4	TYPICAL SECTIONS
5	CONVENTIONAL SYMBOLOLOGY - LEGEND SHEET
6-8	QUANTITY SHEETS
9	EARTHWORK SUMMARY SHEET
10	DRAINAGE DETAIL SHEET
11	SURVEY CONTROL AND TIES
12	LAYOUT PLAN
13	PROFILE SHEET
14	GRADING AND DRAINAGE PLAN
15	SIGNING AND PAVEMENT MARKING PLAN
16-18	TRAFFIC SIGN SUMMARY SHEETS
19	SIGN DETAILS
20	LIGHTING AND LANDSCAPING PLAN
21	LIGHTING AND LANDSCAPING DETAILS
22-23	LIGHTING DETAILS
24	UTILITY RELOCATION PLAN
25-28	BUS SHELTER DETAILS
29	CONSTRUCTION APPROACH SIGNING
30	STORMWATER MANAGEMENT DETAILS
31-36	CROSS SECTION SHEETS
37	EPSC NARRATIVE
38	EPSC EXISTING CONDITIONS PLAN
39	EPSC CONSTRUCTION SITE PLAN
40	EPSC FINAL CONDITIONS SITE PLAN
41-43	EPSC DETAIL SHEETS

INDEX OF STANDARDS

A-80	SHARED USE PATH/HIGHWAY INTERSECTION DETAILS	03-31-04
B-5	SLOPE GRADING, EMBANKMENTS, MUCK	06-01-94
B-71	RESIDENTIAL AND COMMERCIAL DRIVES	07-08-05
C-3A	SIDEWALK RAMPS	03-10-08
D-20	HIGHWAY CROSSING FOR UNDERGROUND UTILITIES	03-03-03
E-121	STANDARD SIGN PLACEMENT - CONVENTIONAL ROAD	08-08-95
E-131	GUIDE SIGN DETAILS	08-08-95
E-132	GENERAL MOTORIST SERVICE SIGN DETAILS	08-18-95
E-143	REGULATORY SIGN DETAILS	06-15-04
E-144	REGULATORY SIGN DETAILS	03-29-99
E-146	REGULATORY SIGN DETAILS	09-20-95
E-173	PULLBOXES AND JUNCTION BOXES	08-09-95
E-175	POWER DROP STANCHION	06-08-09
E-180A	STREET LIGHTING DETAILS	08-09-95
E-180B	STREET LIGHTING DETAILS	08-09-95
E-191	PAVEMENT MARKING DETAILS	02-01-99
E-192	PAVEMENT MARKING DETAILS	10-12-00
E-193	PAVEMENT MARKING DETAILS	08-18-95
E-195	SHARED USE PATH PAVEMENT MARKINGS & SIGN DETAILS	06-09-08
T-1	TRAFFIC CONTROL GENERAL NOTES	08-06-12
T-10	CONVENTIONAL ROADS CONSTRUCTION APPROACH SIGNING	08-06-12
T-28	CONSTRUCTION SIGN DETAILS	08-06-12
T-29	CONSTRUCTION SIGN DETAILS	08-06-12
T-30	CONSTRUCTION SIGN DETAILS	08-06-12
T-45	SQUARE TUBE SIGN POST AND ANCHOR	01-02-13

GENERAL NOTES

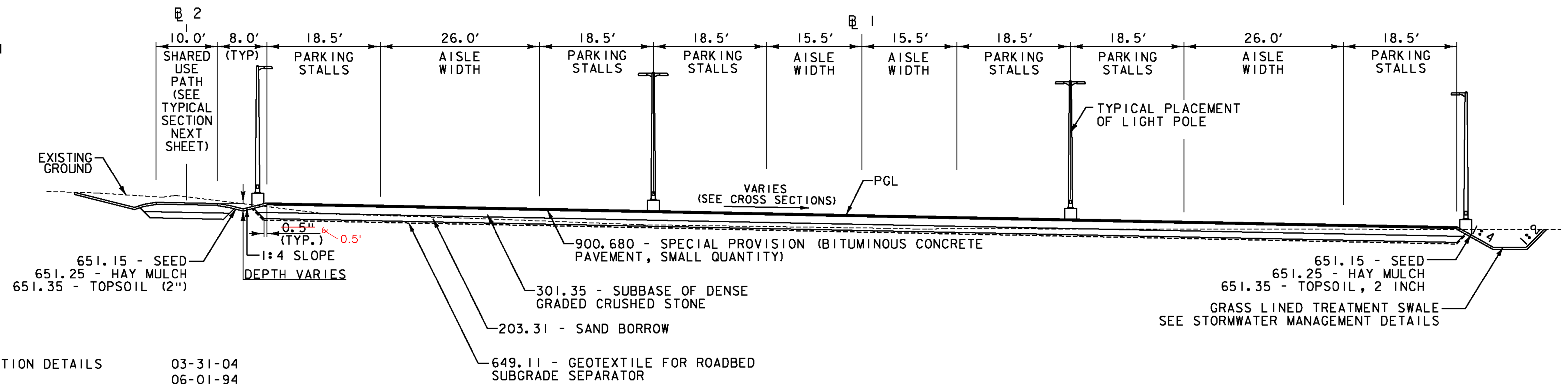
- FOR LIGHT LOCATIONS, SEE LIGHTING PLAN.
- SLOPE ROUNDING: ALL CUT SLOPES TO BE ROUNDED IN ACCORDANCE WITH STANDARD SHEET B-5 UNLESS OTHERWISE NOTED.
- EMULSIFIED ASPHALT SHALL BE APPLIED BETWEEN ALL COURSES OF PAVEMENT AND ON ALL COLD PLANED SURFACES AT THE RATE OF 0.025 GAL/SY OR AS DIRECTED BY THE ENGINEER.
- SAW CUT PAID INCIDENTAL TO ITEM 900.680 (BITUMINOUS CONCRETE PAVEMENT, SMALL QUANTITY).
- COLD PLANING SHALL BE PERFORMED IN ACCORDANCE WITH SECTION 210.
- FOR PG BINDER GRADE SEE BITUMINOUS CONCRETE PAVEMENT, SMALL QUANTITY OF SECTION 900 OF THE SPECIAL PROVISIONS.

TYPICAL SECTIONS

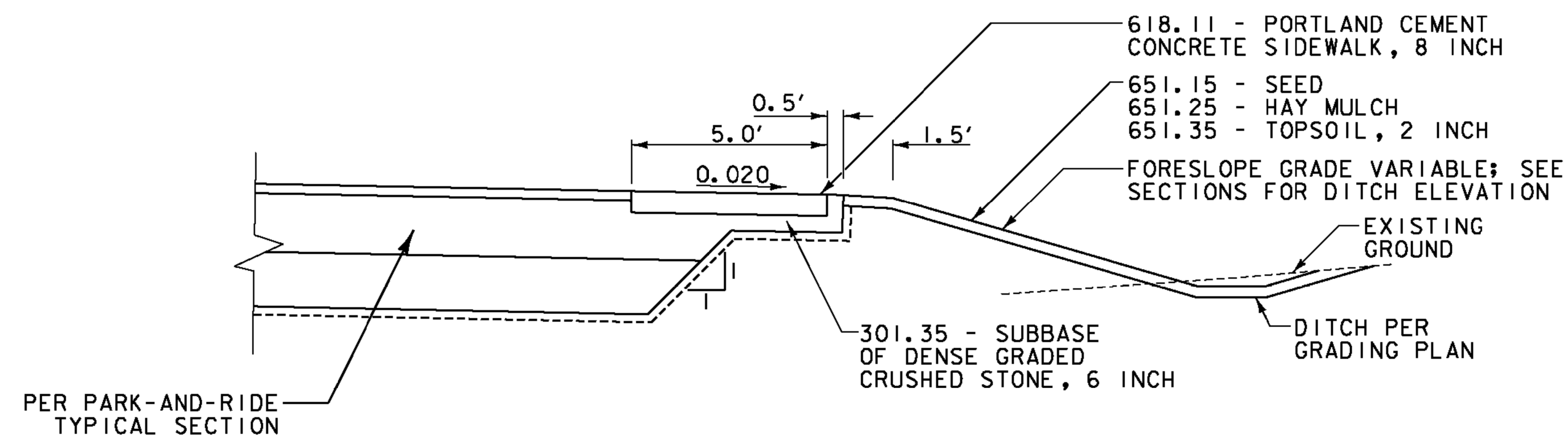
MATERIAL ITEM THICKNESS /TOLERANCE

BITUMINOUS CONCRETE PAVEMENT	+/- 1/4" (TOTAL DEPTH)
DENSE GRADED CRUSHED STONE	+/- 1/2" (TOTAL DEPTH)
SAND BORROW	+/- 1" (TOTAL DEPTH)

1 1/2" BITUMINOUS CONCRETE PAVEMENT (1 LIFT - TYPE IVS)
 3 1/2" BITUMINOUS CONCRETE PAVEMENT (1 LIFT - TYPE IIS)
 15" SUBBASE OF DENSE GRADED CRUSHED STONE 2 LIFTS, 1 1/4"
 12" SAND BORROW
 GEOTEXTILE FOR ROADBED SUBGRADE SEPARATOR



PARK-AND-RIDE TYPICAL SECTION
 (PERPENDICULAR TO BASELINE 1 AND 2, SEE LAYOUT PLAN)
 NOT TO SCALE



SIDEWALK DETAIL SECTION A-A
 NOT TO SCALE



PROJECT NAME:	SPRINGFIELD	PLOT DATE:	6/25/2014
PROJECT NUMBER:	CMG PARK (32)	DRAWN BY:	I. MAYNARD
FILE NAME:	z09k250+yp.dgn	DESIGNED BY:	I. MAYNARD
PROJECT LEADER:	G. SANTY	CHECKED BY:	M. FOISY
TYPICAL SECTIONS SHEET 1			SHEET 2 OF 43