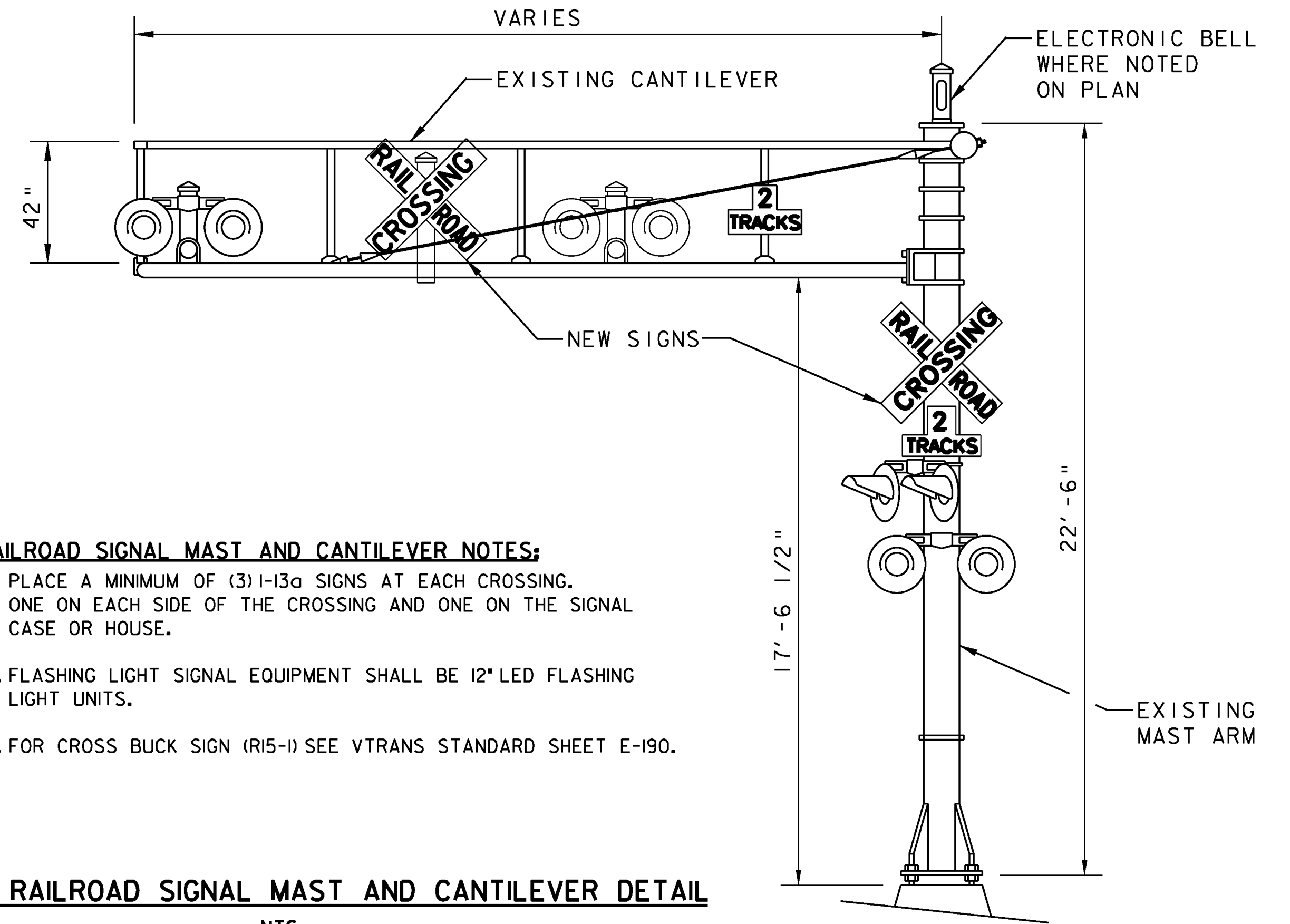
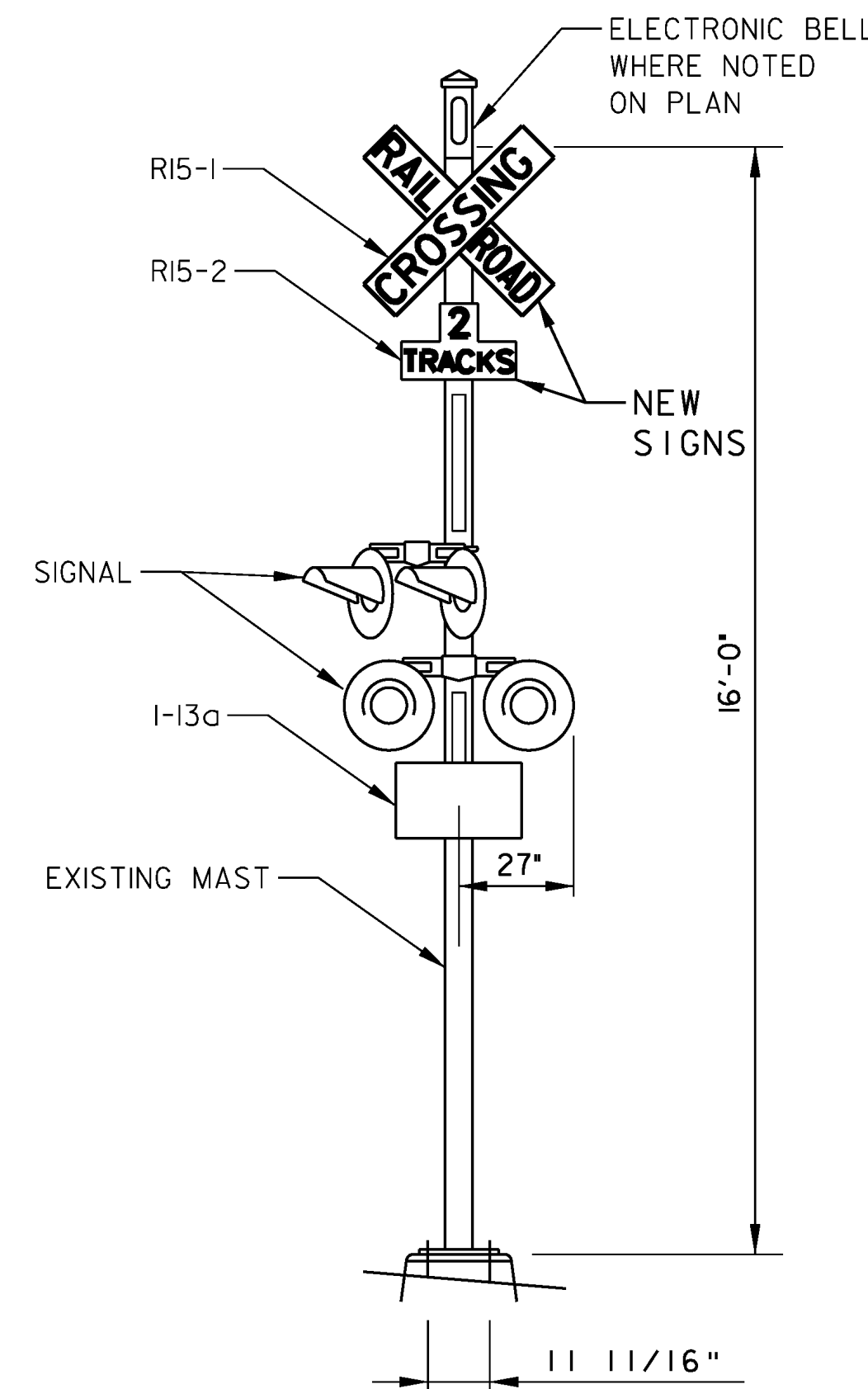


PERMANENT NUMBER SIGN

NTS

PERMANENT NUMBER SIGN NOTES:

- PERMANENT NUMBER SIGN PLATES SHALL BE MADE UP OF 0.032 GAGE ALUMINUM WITH RAISED NUMBERS AND LETTERS. SEE SPECIFICATIONS. INSTALL ON SIGNAL MAST ONE ON EACH SIDE OF CROSSING.

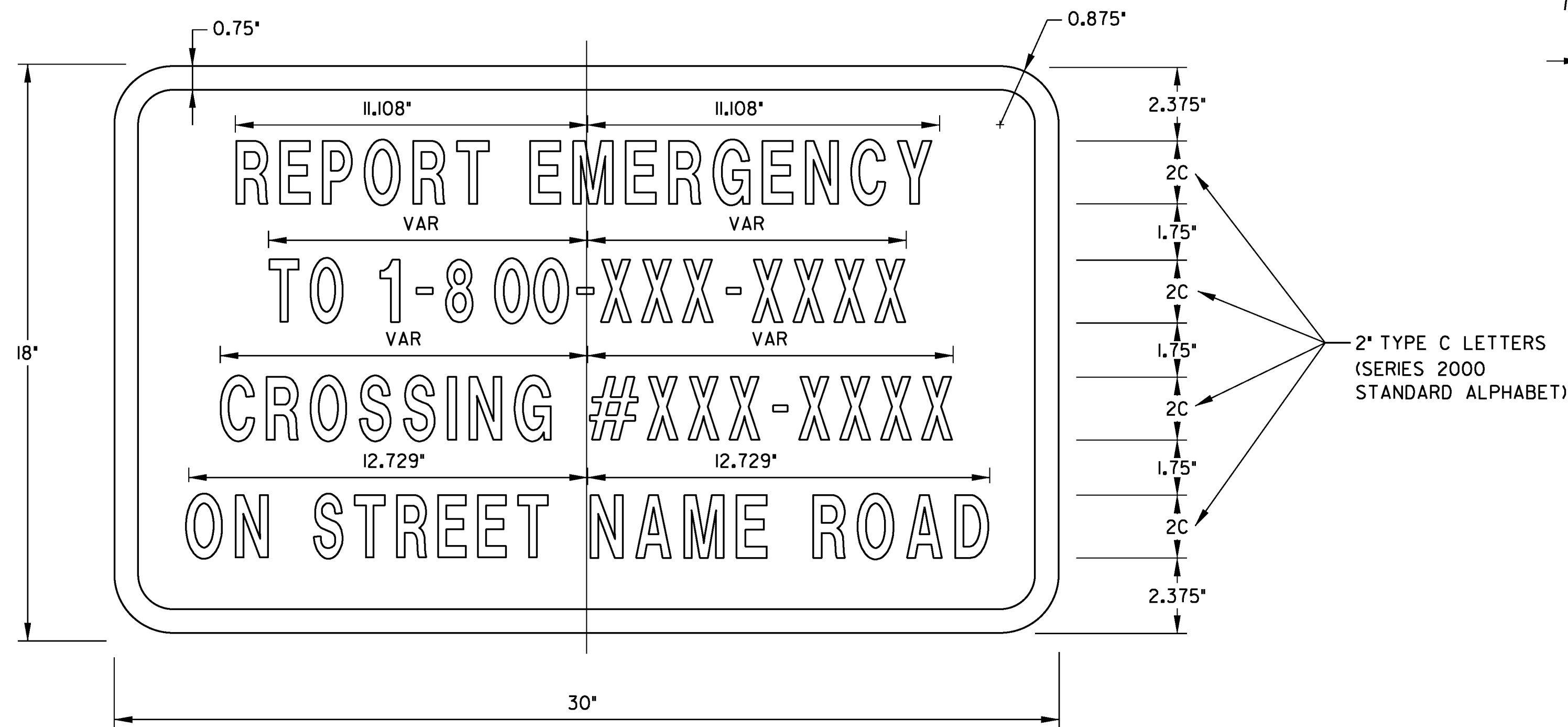


RAILROAD SIGNAL MAST AND CANTILEVER NOTES:

- PLACE A MINIMUM OF (3) I-13a SIGNS AT EACH CROSSING. ONE ON EACH SIDE OF THE CROSSING AND ONE ON THE SIGNAL CASE OR HOUSE.
- FLASHING LIGHT SIGNAL EQUIPMENT SHALL BE 12" LED FLASHING LIGHT UNITS.
- FOR CROSS BUCK SIGN (R15-1) SEE VTRANS STANDARD SHEET E-190.

TYPICAL RAILROAD SIGNAL MAST AND CANTILEVER DETAIL

NTS

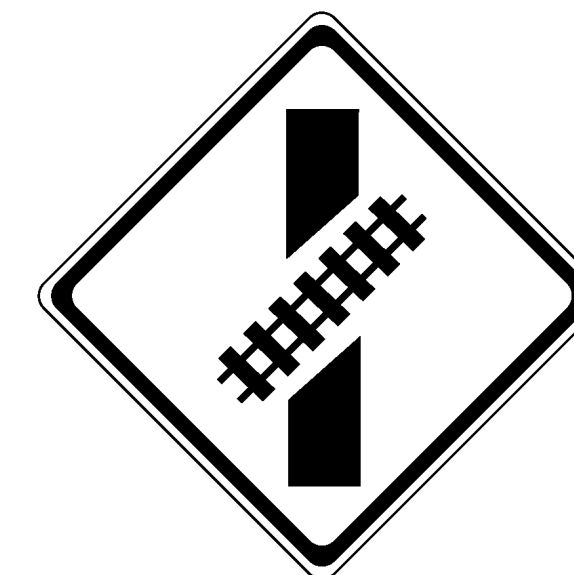


I-13a SIGN

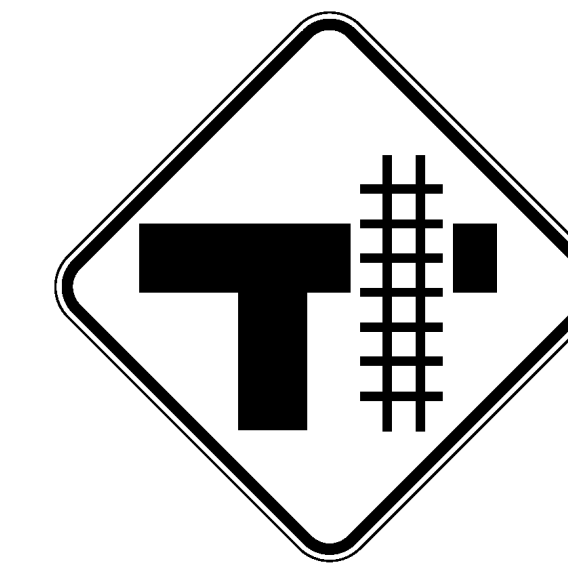
COLORS:	LEGEND	WHITE (RETROREFLECTIVE)	BLUE (RETROREFLECTIVE)

GENERAL MOTORIST SERVICE SIGN NOTES:

- THE COLORS, MATERIALS, LETTERING, DESIGN, AND SPECIFICATION SHALL CONFORM TO THE NOTES SHOWN ON VERMONT STANDARD E-132.
- THE EMERGENCY CONTACT TELEPHONE NUMBER IS 1-888-265-2735, THE CROSSING NUMBER IS 851-367U ON U.S. ROUTE 7.
- PLACE A MINIMUM OF (3) I-13a SIGNS AT EACH CROSSING. ONE ON EACH SIDE OF THE CROSSING AND ONE ON THE SIGNAL CASE OR HOUSE.



W10-12 SIGN



W10-4R SIGN

SIGN NOTES:

THE COLORS AND MATERIALS SHALL CONFORM TO THE NOTES SHOWN ON VERMONT STANDARD INCLUDING BUT NOT LIMITED TO E-190.

TEXT DESIGN:

LETTERS, DIGITS, SYMBOLS, SPACINGS AND TEXT DIMENSIONS SHALL CONFORM TO THE LATEST VERSION OF FHWA'S "STANDARD ALPHABETS FOR HIGHWAY SIGNS AND PAVEMENT MARKINGS". DETAILS SHALL CONFORM WITH THOSE DESCRIBED IN THE PUBLICATION "STANDARD HIGHWAY SIGNS" AS SPECIFIED IN THE MUTCD.

DESIGN:

THE DESIGN OF THESE SIGNS SHALL CONFORM WITH THE DETAILS SET FORTH IN THE MANUAL "STANDARD HIGHWAY SIGNS" AS SPECIFIED IN "THE MANUAL ON UNIFORM TRAFFIC CONTROL DEVICES".

SPECIFICATIONS:

THE SIGNS SHALL MEET THE VERMONT STANDARD STATE SPECIFICATIONS FOR "TRAFFIC SIGNS" AS DESCRIBED IN THE VAOT STANDARD SPECIFICATIONS FOR CONSTRUCTION, AND SHALL BE ASTM TYPE III SHEETING, OR BETTER.

NOTE:

WHERE CONFLICTS EXIST, LATEST MUTCD SHALL GOVERN

TYPICAL RR SIGNAL AND SIGN DETAILS

PROJECT NAME: NEW HAVEN	PLOT DATE: 13-JUL-2010
PROJECT NUMBER: RAIL 5307(16)	DRAWN BY: LB
FILE NAME: z09g070/RAIL/detail2.dgn	CHECKED BY: J.READ
PROJECT LEADER: J.B.McCARTHY	SHEET 8 OF 18
DESIGNED BY: LB	