

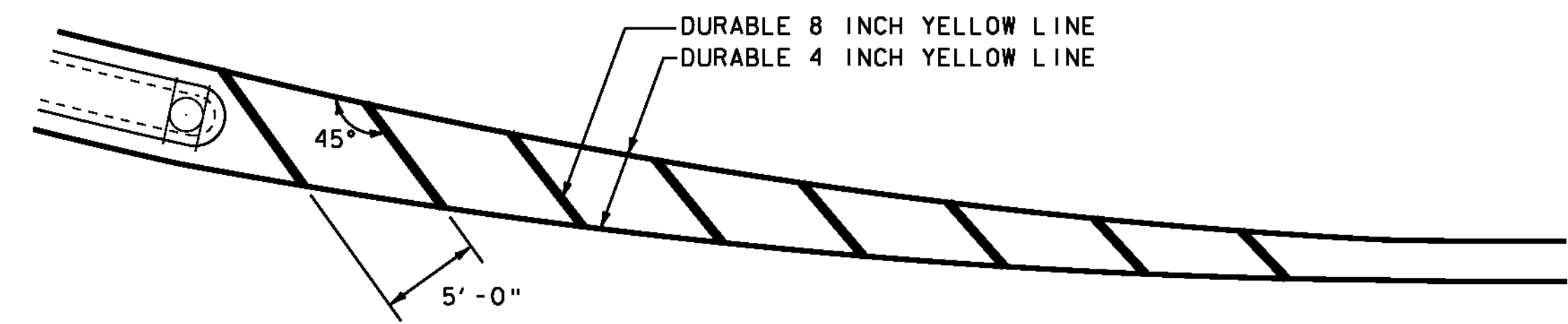
EXISTING CULVERT INVENTORY TABLE

STATION	CULVERT SIZE	CULVERT MATERIAL	COMMENT
MONTPELIER JCT STATE HIGHWAY			
0+40	18"	ACCGMP	MAINLINE
0+89	18"	ACCGMP	SLIP RAMP M
2+04	18"	ACCGMP	SLIP RAMP M
2+24	18"	ACCGMP	MAINLINE
3+44	30"	ACCGMP	MAINLINE

**REHAB. DROP INLETS, CATCH BASINS
or MANHOLES, CLASS I OR II**

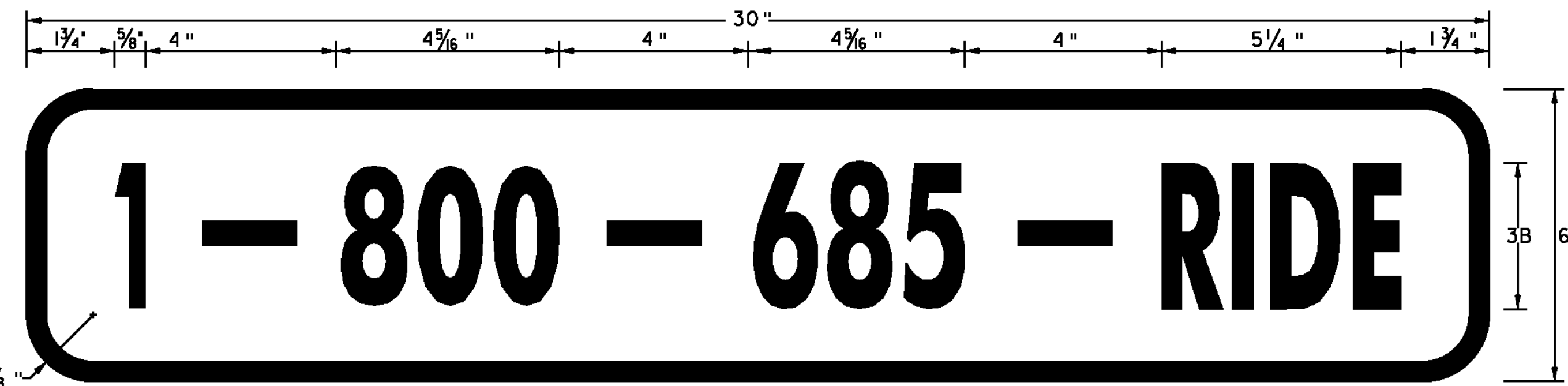
(ITEM 604.412 OR 604.415)

STATION	POSITION	DESCRIPTION
MONTPELIER JCT STATE HIGHWAY		
0+41	RT	D1
2+24	LT	D1
2+24	RT	D1
3+32	LT	D1



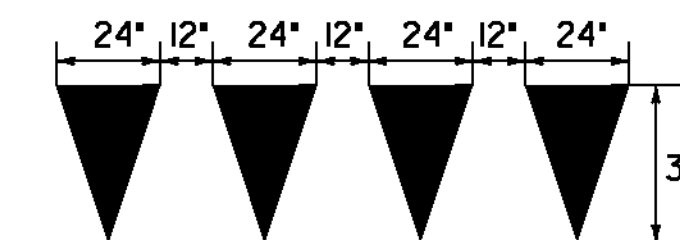
PAINTED GORE DETAIL
NOT TO SCALE

SEE LAYOUT SHEETS FOR LOCATIONS AND MATERIALS



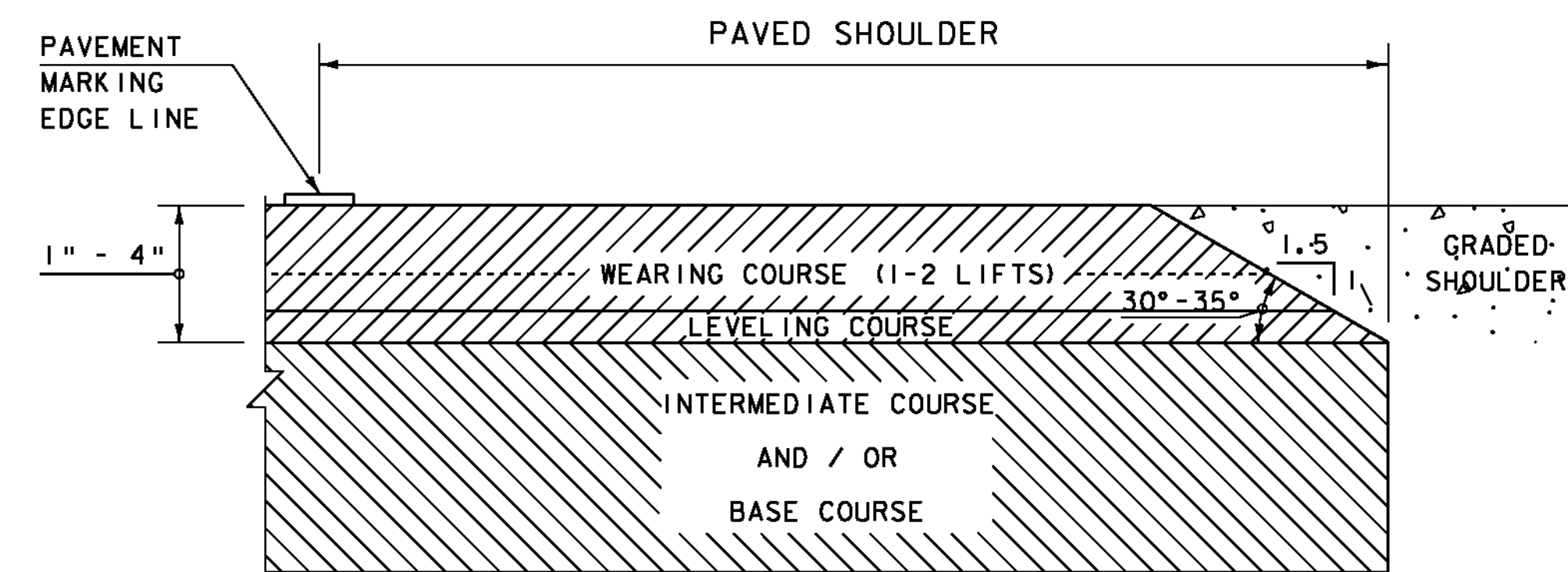
VD-365

LOCATION: STA. 3+58, RT
STA. 7+78, LT
COLOR: WHITE BORDER & TEXT (RETROREFLECTIVE)
GREEN BACKGROUND (RETROREFLECTIVE)
MATERIAL: PER VAOT STANDARD E-123
SHEETING: TYPE III MINIMUM



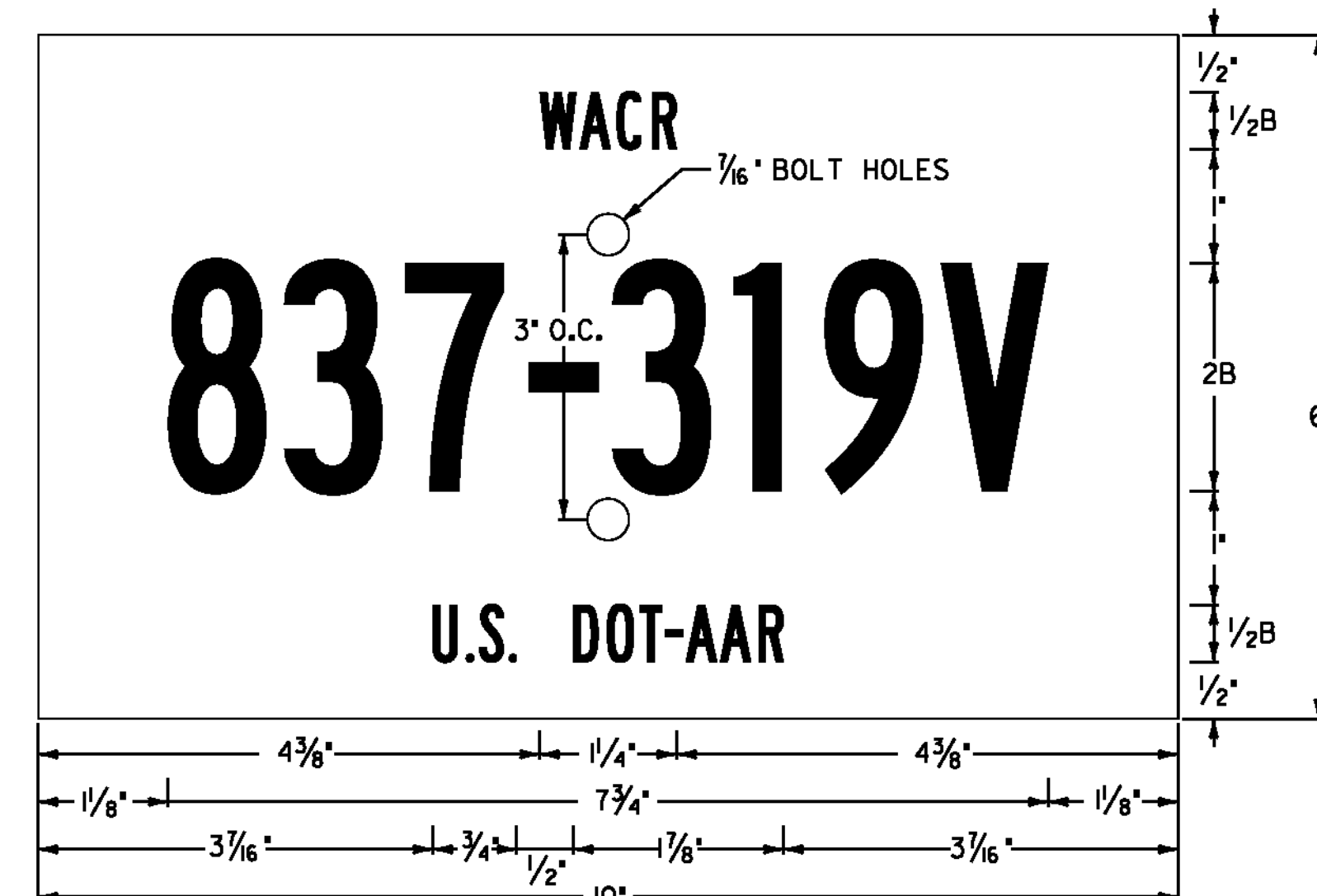
YIELD LINE DETAILS

SEE LAYOUT SHEETS FOR LOCATIONS AND MATERIALS. TO BE PAID AS ONE DURABLE LETTER OR SYMBOL PER TRIANGLE.



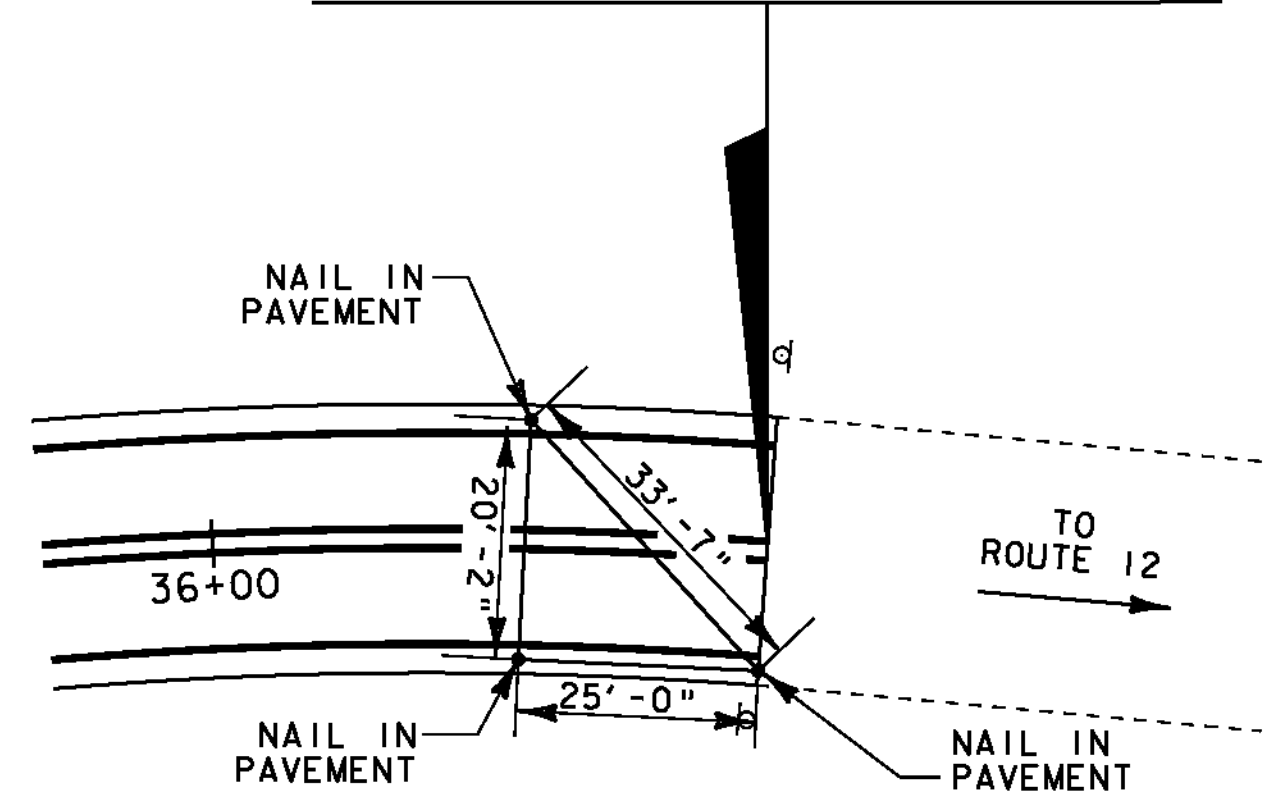
SAFETY EDGE DETAIL
NOT TO SCALE

NOTE: LEVELING COURSE MAY INCLUDE THE "SAFETY EDGE" AT THE CONTRACTOR'S CHOICE.



LOCATION: STA. 20+50, RT
COLOR: BLACK TEXT (NO BORDER)
WHITE BACKGROUND (RETROREFLECTIVE)

**END STP 2902(1)
MONTPELIER JCT STATE HIGHWAY
STA. 36+59.04 = MM 0.693**



END PROJECT LOCATION TIES

NOT TO SCALE

**MISCELLANEOUS
DETAIL
SHEET**

PROJECT NAME: MONTPELIER
PROJECT NUMBER: STP 2902(1)

FILE NAME: p09b318.dgn
PROJECT LEADER: JLL
DESIGNED BY: STANTEC
IPARM FILE: p09b318md.i

PLOT DATE: 31-MAY-2011
DRAWN BY: STANTEC
CHECKED BY: STANTEC
SHEET 79 OF 79

