

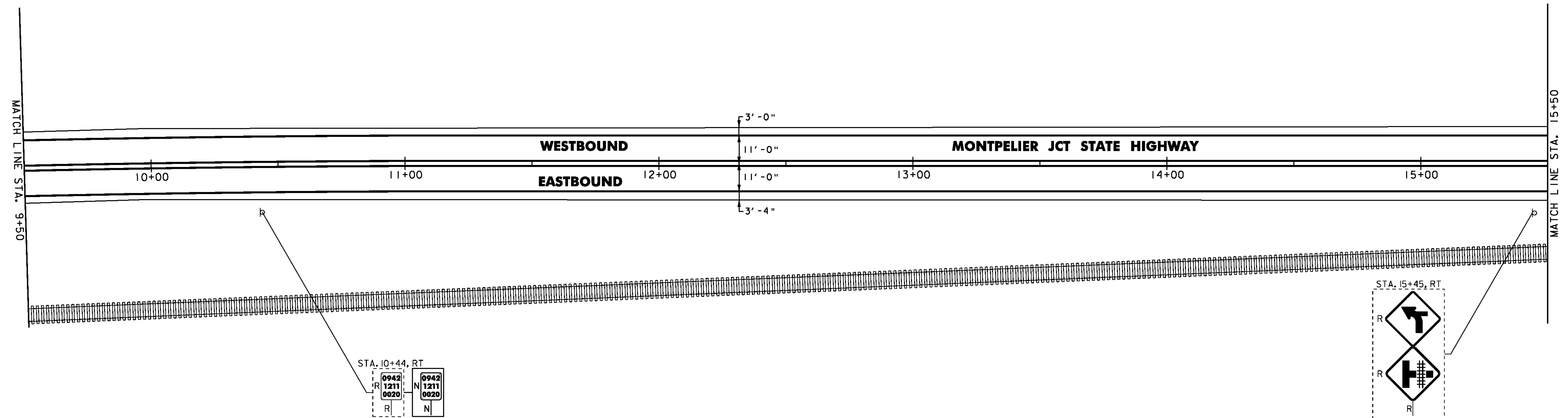
646.402 DURABLE 4 INCH WHITE LINE, THERMOPLASTIC OR
 646.403 DURABLE 4 INCH WHITE LINE, EPOXY PAINT OR
 646.404 DURABLE 4 INCH WHITE LINE, POLYUREA
 (ALL LINES WILL INCLUDE EDGE LINE BREAKS AND
 RADI1 FOR SIDE ROADS)
 STA. 9+50 TO 15+50, SOLID LT & RT

646.412 DURABLE 4 INCH YELLOW LINE, THERMOPLASTIC OR
 646.413 DURABLE 4 INCH YELLOW LINE, EPOXY PAINT OR
 646.414 DURABLE 4 INCH YELLOW LINE, POLYUREA
 (ALL LINES WILL INCLUDE @ BREAKS FOR SIDE ROADS)
 STA. 9+50 TO 15+50, SOLID LT & RT

646.602 TEMPORARY 4 INCH WHITE LINE, PAINT
 (ALL LINES WILL INCLUDE EDGE LINE BREAKS AND
 RADI1 FOR SIDE ROADS)
 STA. 9+50 TO 15+50, SOLID LT & RT

646.612 TEMPORARY 4 INCH YELLOW LINE, PAINT
 (ALL LINES WILL INCLUDE @ BREAKS FOR SIDE ROADS)
 STA. 9+50 TO 15+50, SOLID LT & RT

675.50 REMOVING SIGNS
 AS SHOWN - 3



NOTES: 1. FOR LEGENDS, SEE LAYOUT SHEET #1
 2. ALL EXISTING SIGNS NOT SHOWN SHALL
 BE RETAINED.

NOT TO SCALE

**PROJECT
 LAYOUT
 SHEET #3**

PROJECT NAME: MONTPELIER
 PROJECT NUMBER: STP 2902(1)

FILE NAME: p09b318.dgn
 PROJECT LEADER: JLL
 DESIGNED BY: STANTEC
 IPARM FILE: p09b318103.i

PLOT DATE: 26-MAY-2011
 DRAWN BY: STANTEC
 CHECKED BY: STANTEC
 SHEET 71 OF 79

