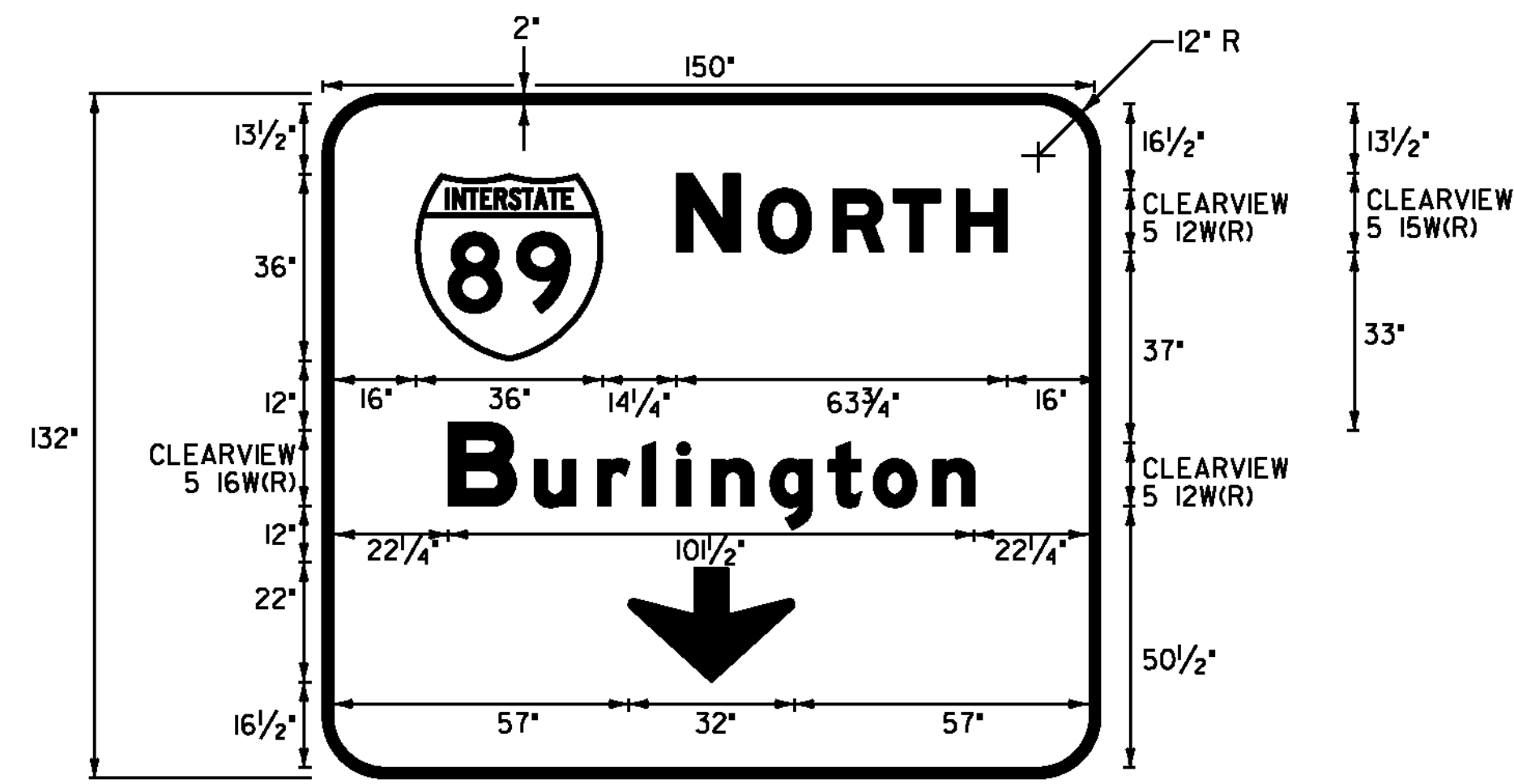


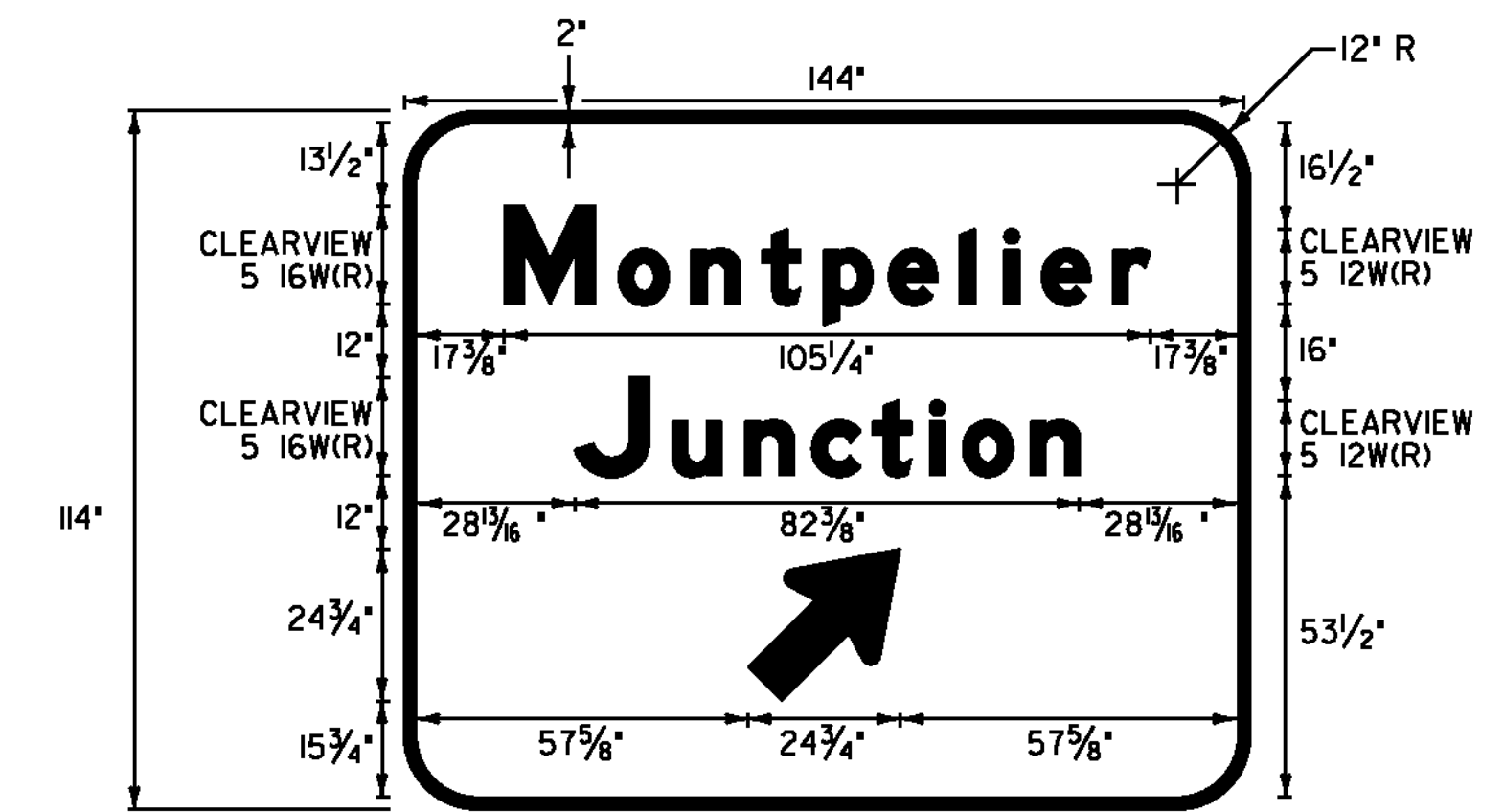
LOCATION: STA. 23+54, LT

COLOR: WHITE BORDER AND TEXT (RETROREFLECTIVE) (MINIMUM TYPE IX)  
 GREEN BACKGROUND (RETROREFLECTIVE) (MINIMUM TYPE III)  
 MATERIAL: PER VAOT STANDARD E-131



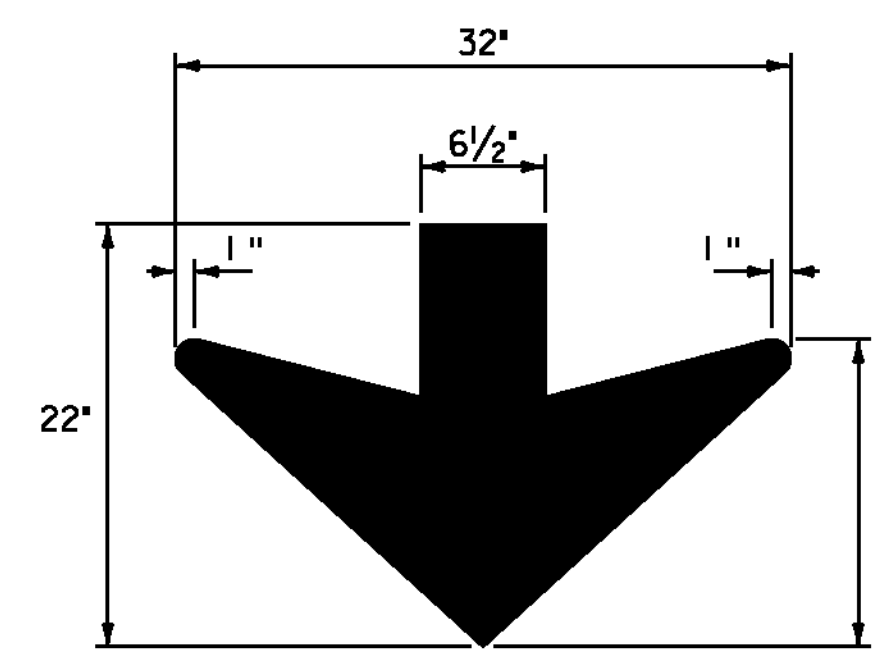
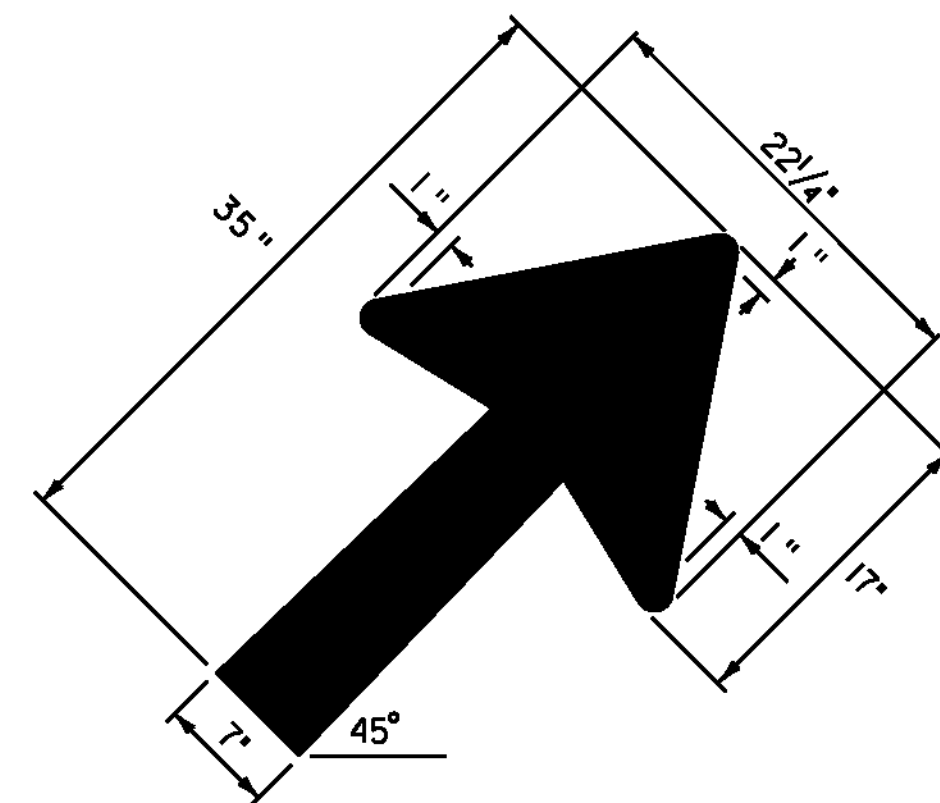
LOCATION: STA. 23+54, LT

COLOR: WHITE BORDER AND TEXT (RETROREFLECTIVE) (MINIMUM TYPE IX)  
 GREEN BACKGROUND (RETROREFLECTIVE) (MINIMUM TYPE III)  
 MATERIAL: PER VAOT STANDARD E-131



LOCATION: STA. 23+54, LT

COLOR: WHITE BORDER AND TEXT (RETROREFLECTIVE) (MINIMUM TYPE IX)  
 GREEN BACKGROUND (RETROREFLECTIVE) (MINIMUM TYPE III)  
 MATERIAL: PER VAOT STANDARD E-131



**ARROWS FOR GUIDE SIGNS**  
 MONTPELIER STATE HIGHWAY STA. 23+54, LT

NOT TO SCALE

**TRAFFIC  
 SIGN  
 DETAIL  
 SHEET #2**

PROJECT NAME: MONTPELIER  
 PROJECT NUMBER: NH 290(I)

FILE NAME: pl0dl16.dgn  
 PROJECT LEADER: JLL  
 DESIGNED BY: STANTEC  
 IPARM FILE: p09b316tsd02.i

PLOT DATE: 26-MAY-2011  
 DRAWN BY: STANTEC  
 CHECKED BY: STANTEC  
 SHEET 55 OF 79

