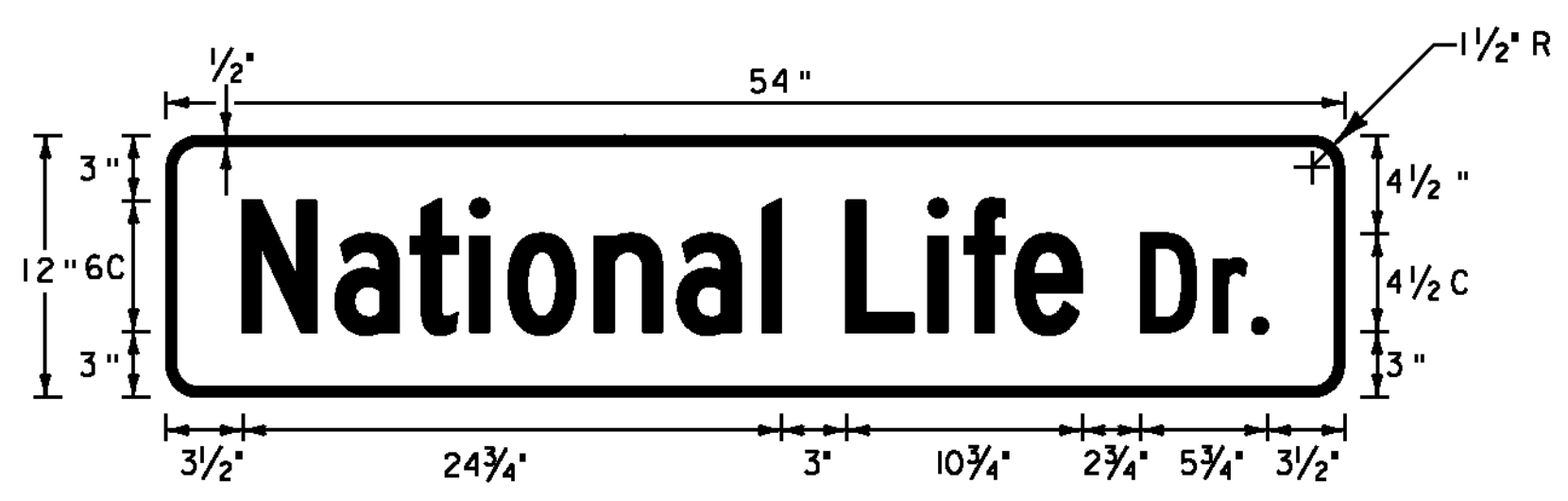
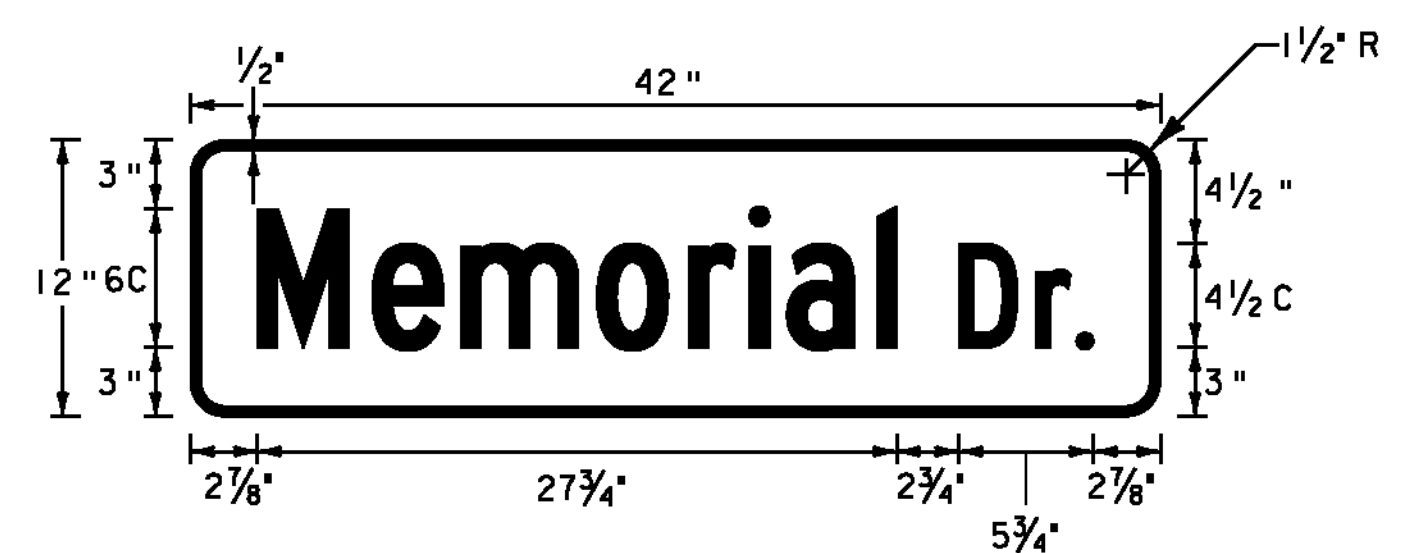


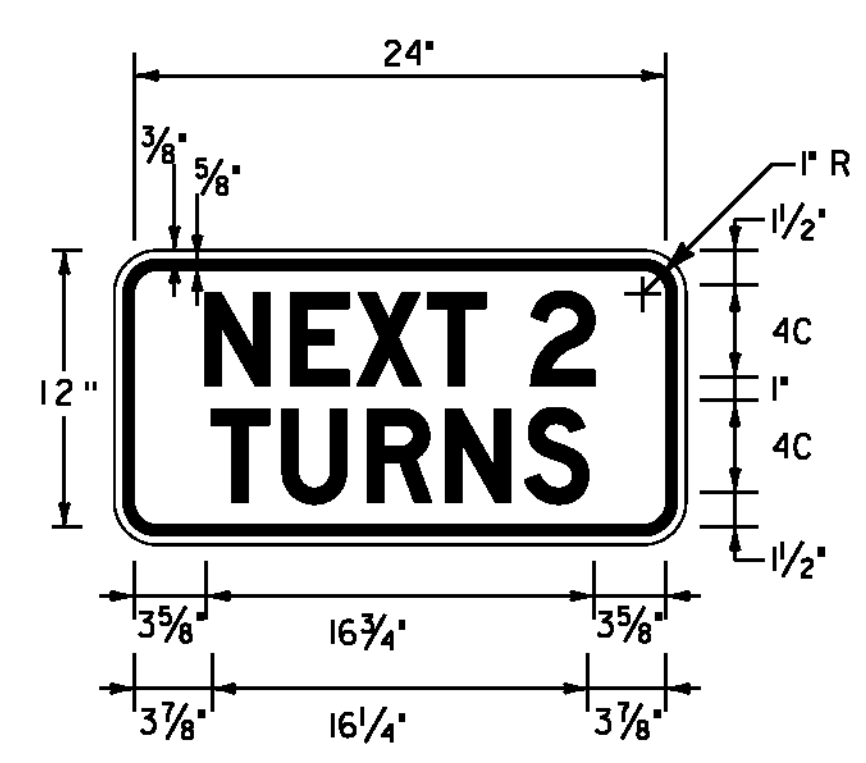
LOCATION: STA. 27+91, RT
 COLOR: WHITE BORDER AND TEXT (RETROREFLECTIVE) (MINIMUM TYPE IX)
 BLUE BACKGROUND (RETROREFLECTIVE) (MINIMUM TYPE III)
 MATERIAL: PER VAOT STANDARD E-131
 NOTE: THE 'GO VERMONT' LOGO WILL BE PROVIDED TO THE CONTRACTOR BY VAOT IN JPEG FORMAT.



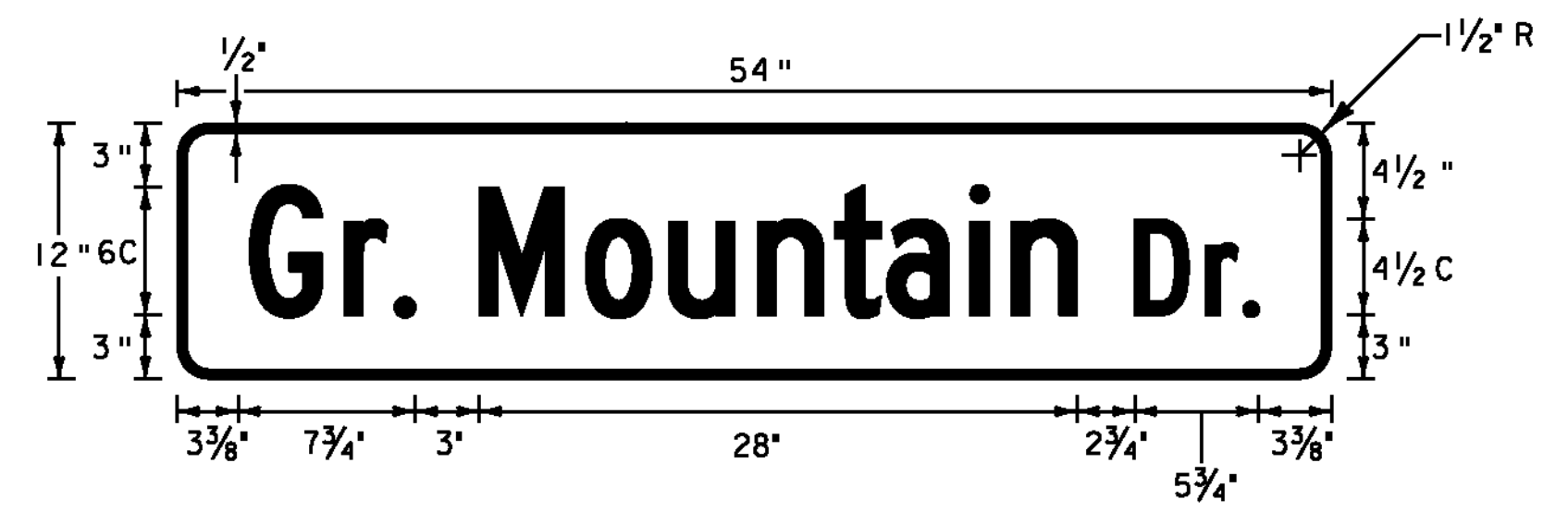
LOCATION: STA. 30+68, RT
 COLOR: WHITE BORDER AND TEXT (RETROREFLECTIVE)
 GREEN BACKGROUND (RETROREFLECTIVE)
 MATERIAL: PER VAOT STANDARD E-123



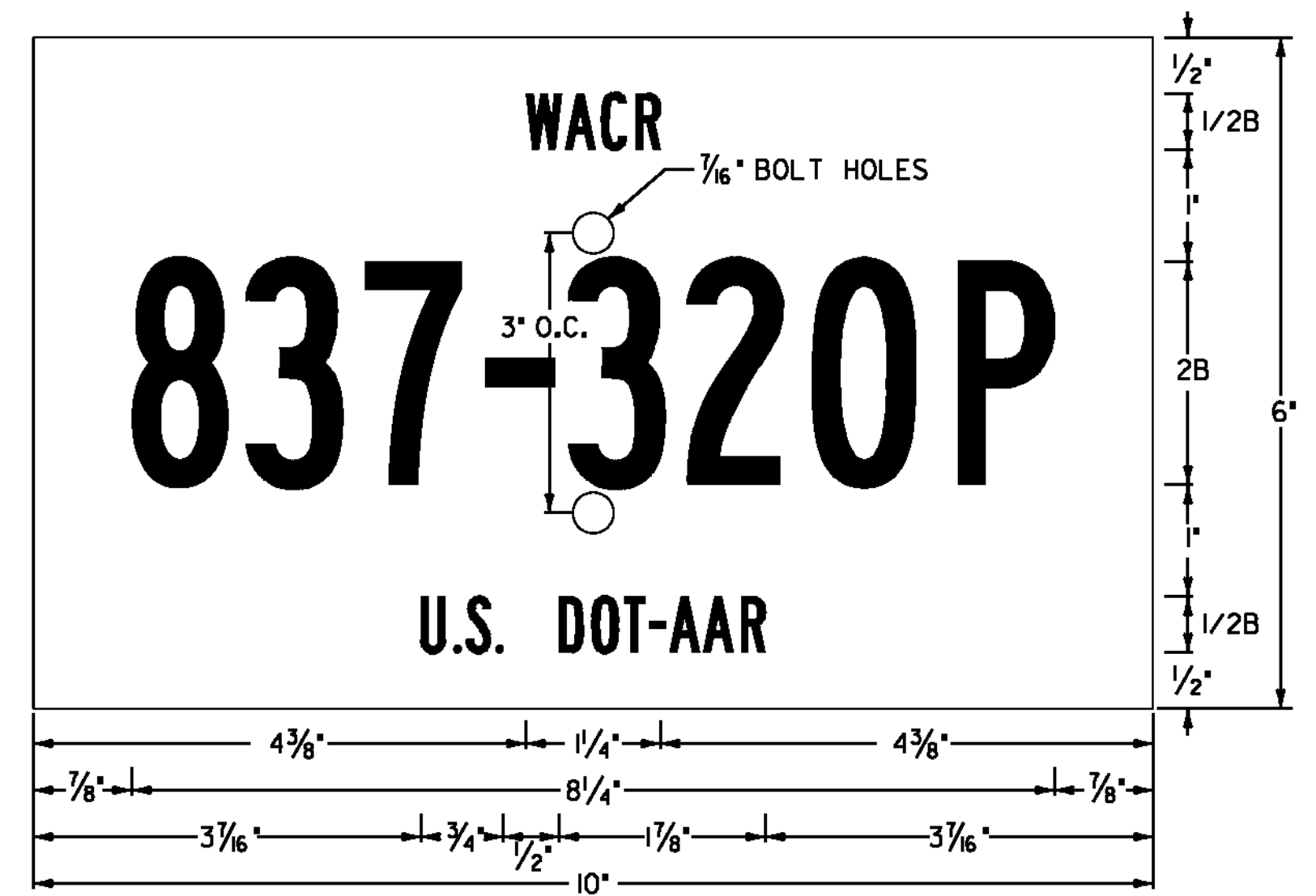
LOCATION: STA. 30+68, RT
 STA. 36+72, LT
 COLOR: WHITE BORDER AND TEXT (RETROREFLECTIVE)
 GREEN BACKGROUND (RETROREFLECTIVE)
 MATERIAL: PER VAOT STANDARD E-123



LOCATION: STA. 35+39, RT
 COLOR: BLACK BORDER AND TEXT (RETROREFLECTIVE)
 YELLOW BACKGROUND (RETROREFLECTIVE)
 MATERIAL: PER VAOT STANDARD E-150



LOCATION: STA. 36+72, LT
 COLOR: WHITE BORDER AND TEXT (RETROREFLECTIVE)
 GREEN BACKGROUND (RETROREFLECTIVE)
 MATERIAL: PER VAOT STANDARD E-123



LOCATION: STA. 37+49, LT
 COLOR: BLACK TEXT (NO BORDER)
 WHITE BACKGROUND (RETROREFLECTIVE)

NOTES: 1. ALL SHEETING SHALL BE TYPE III MINIMUM
 2. ALL STREET SIGNS ARE TWO-SIDED

NOT TO SCALE

TRAFFIC SIGN DETAIL SHEET #1	PROJECT NAME: MONTPELIER	PLOT DATE: 26-MAY-2011
	PROJECT NUMBER: NH 290(I)	
	FILE NAME: pl0dl16.dgn	CHECKED BY: STANTEC
	PROJECT LEADER: JLL	SHEET 54 OF 79
	DESIGNED BY: STANTEC	
	IPARM FILE: p09b316tsd01.i	

