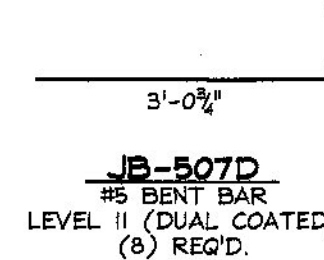
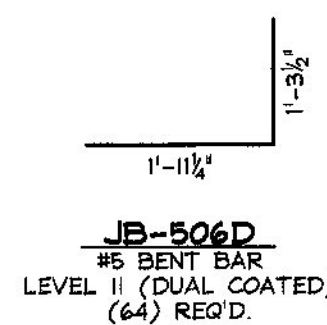
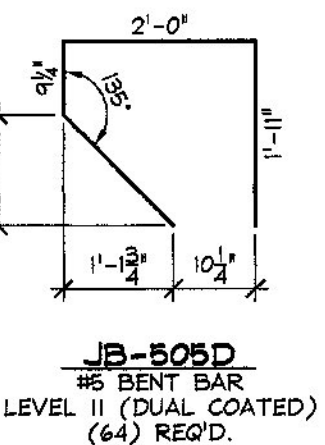
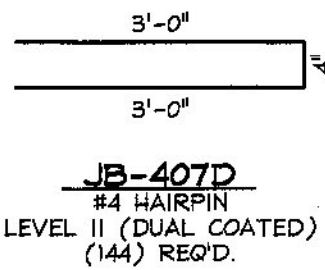


PRESTRESSED NEXT BEAMS



PRECAST CURTAIN WALLS

MISCELLANEOUS MATERIALS				
ITEM	MARK	QTY.	DESCRIPTION	REMARKS
1				
2		(894)	#4 x 8'-4" (LEVEL II, DUAL COATED)	(*) DENOTES (1) ADDITIONAL BAR FOR TESTING
3				
4		88	#5 x 5'-3" (LEVEL II, DUAL COATED)	
5		712	#5 x 7'-7" (LEVEL II, DUAL COATED)	
6		176	#5 x 8'-4" (LEVEL II, DUAL COATED)	
7		16	#5 x 8'-0 1/2" (LEVEL II, DUAL COATED)	
8		16	#5 x 7'-9 3/4" (LEVEL II, DUAL COATED)	
9		16	#5 x 7'-8" (LEVEL II, DUAL COATED)	
10		(42*)	#5 x 5'-0" (LEVEL II, DUAL COATED)	(*) DENOTES (2) ADDITIONAL BARS FOR TESTING
11				
12		16	GUARD RAIL ANCHOR PLATE (GALV.)	SUPPLIED BY OTHERS
13		16	SET OF (4) 0.60"Ø STRAND LIFTING LOOPS	
14				
15				
16				
17		32	#5 x 7'-8" (LEVEL II, DUAL COATED)	
18		44	#5 x 8'-5" (LEVEL II, DUAL COATED)	
19		16	#5 x 3'-9" (LEVEL II, DUAL COATED)	
20		12	#5 x 6'-6" (LEVEL II, DUAL COATED)	
21				
22		(44)	#8 x 1'-6" (LEVEL II, DUAL COATED)	
23		(1*)	#8 x 6'-0" (LEVEL II, DUAL COATED)	(*) DENOTES (1) BAR FOR TESTING
24				
25				

Vermont Agency of Transportation

RECEIVED

Walden Next Beams Rev1, Approved 4.15.15.pdf

CK'D BY CLB

OK'D BY HIS

April 13, 2015

RESUBMIT NO

Approved

BY C. CARLSON

DATE 04/15/15

△ 4-13-15 REVISED PER V.A.T. COMMENTS

APPROVAL STAMP:	J.P. CARRARA & SONS INC. Precast & Prestress Manufacturer 2464 CASE CIR., WOODBURY, VERMONT 05753 Phone:(802)388-6361 Fax:(802)388-9010		J.A. McDONALD, INC. CONTRACTOR LYNDON CENTER, VERMONT	
	STATE OF VERMONT AGENCY OF TRANSPORTATION COUNTY OF CALEDONIA		DATE: FEB. 26, 2015	SCALE: NOTED
	TOWN OF WALDEN VT ROUTE NO. 15 (MINOR ARTERIAL) OVER JOE'S BROOK BRIDGE NO.: 83 PROJECT NO.: BRF 030-3(5)		CHKD: P.C. DFTM: B.L.	JOB NO: 23460-015
	MATERIALS LIST		DWG. NO: M1	

PRESTRESSED NEXT BEAMS
PRECAST CURTAIN WALLS