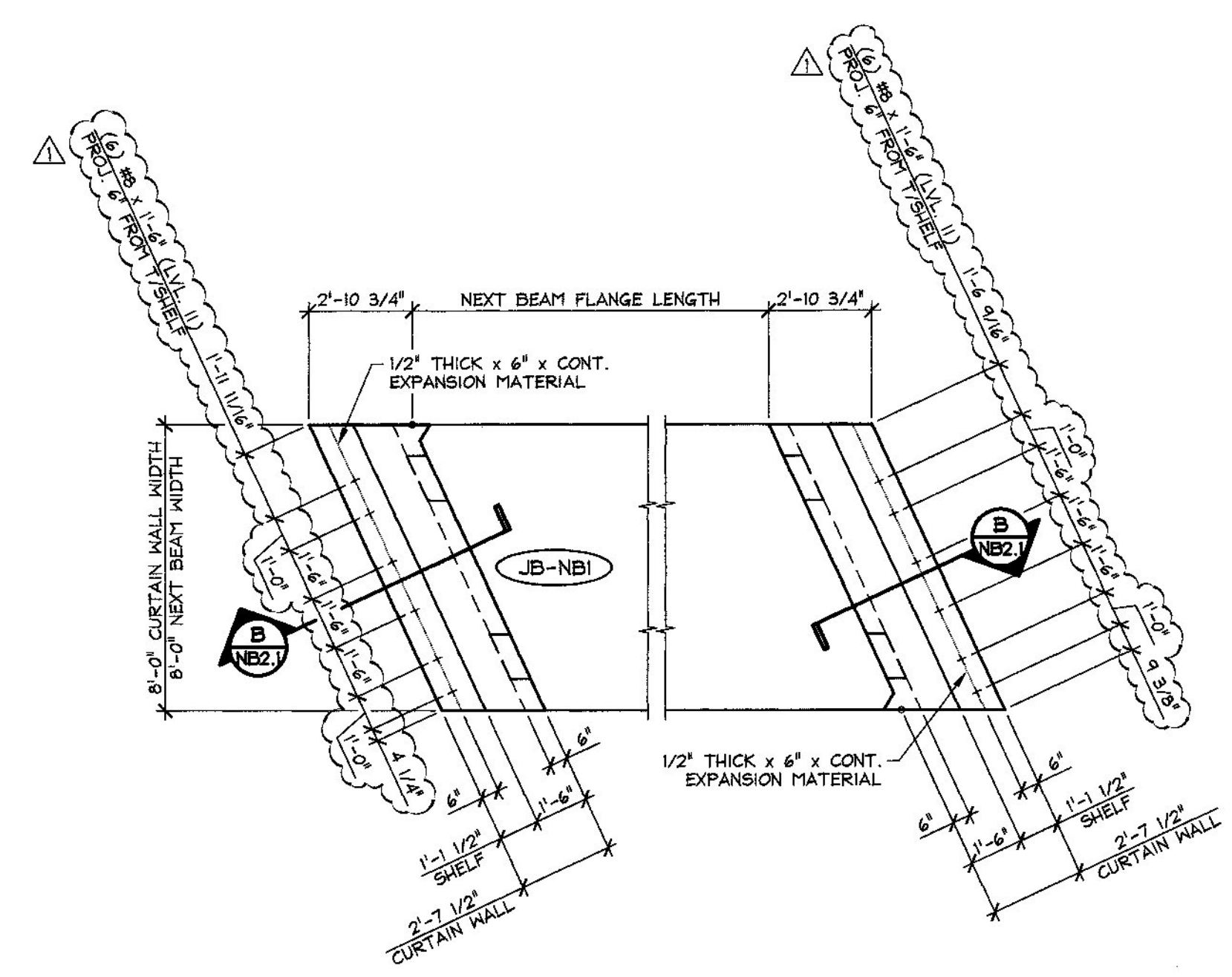


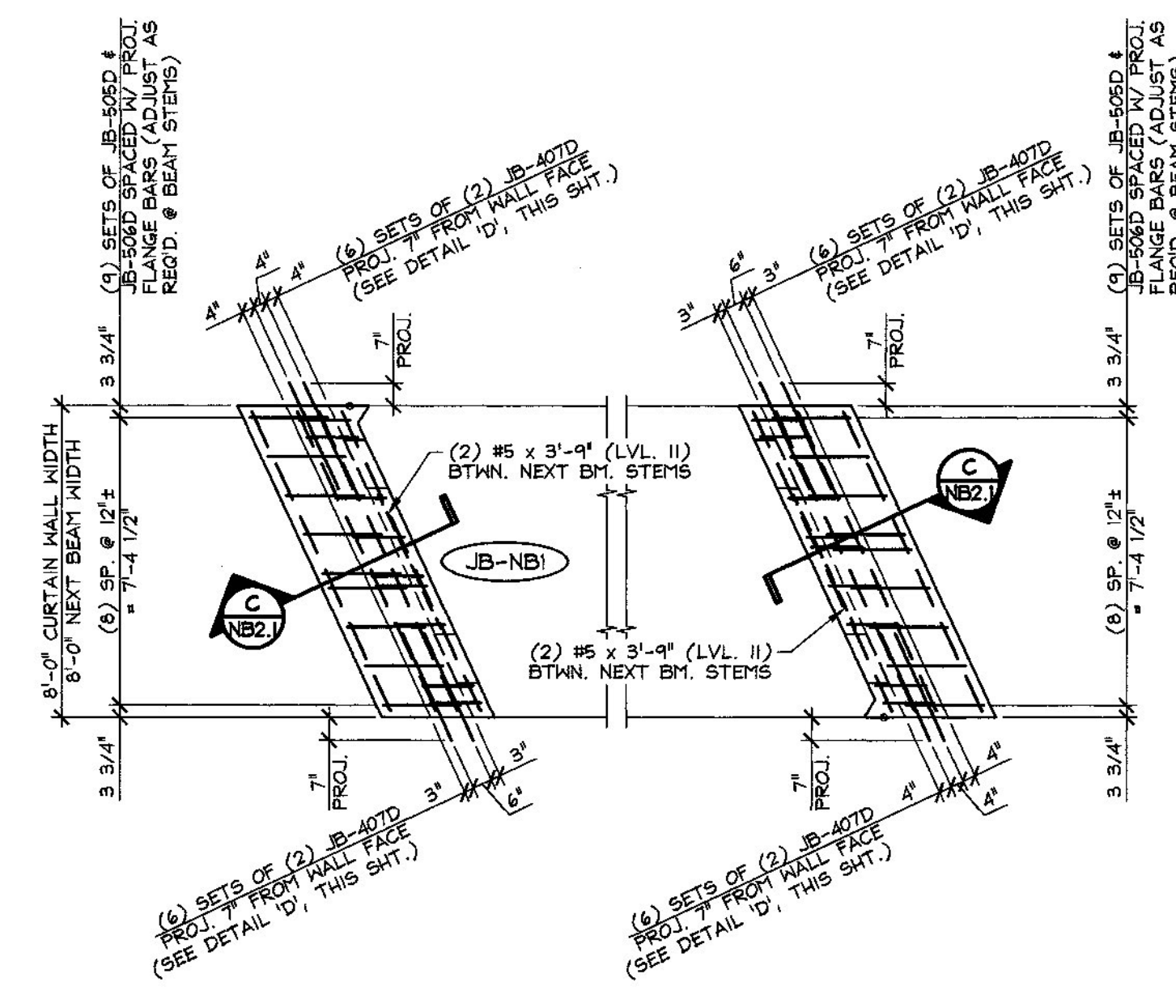
CK'D BY CLB OK'D BY HIS

April 13, 2015

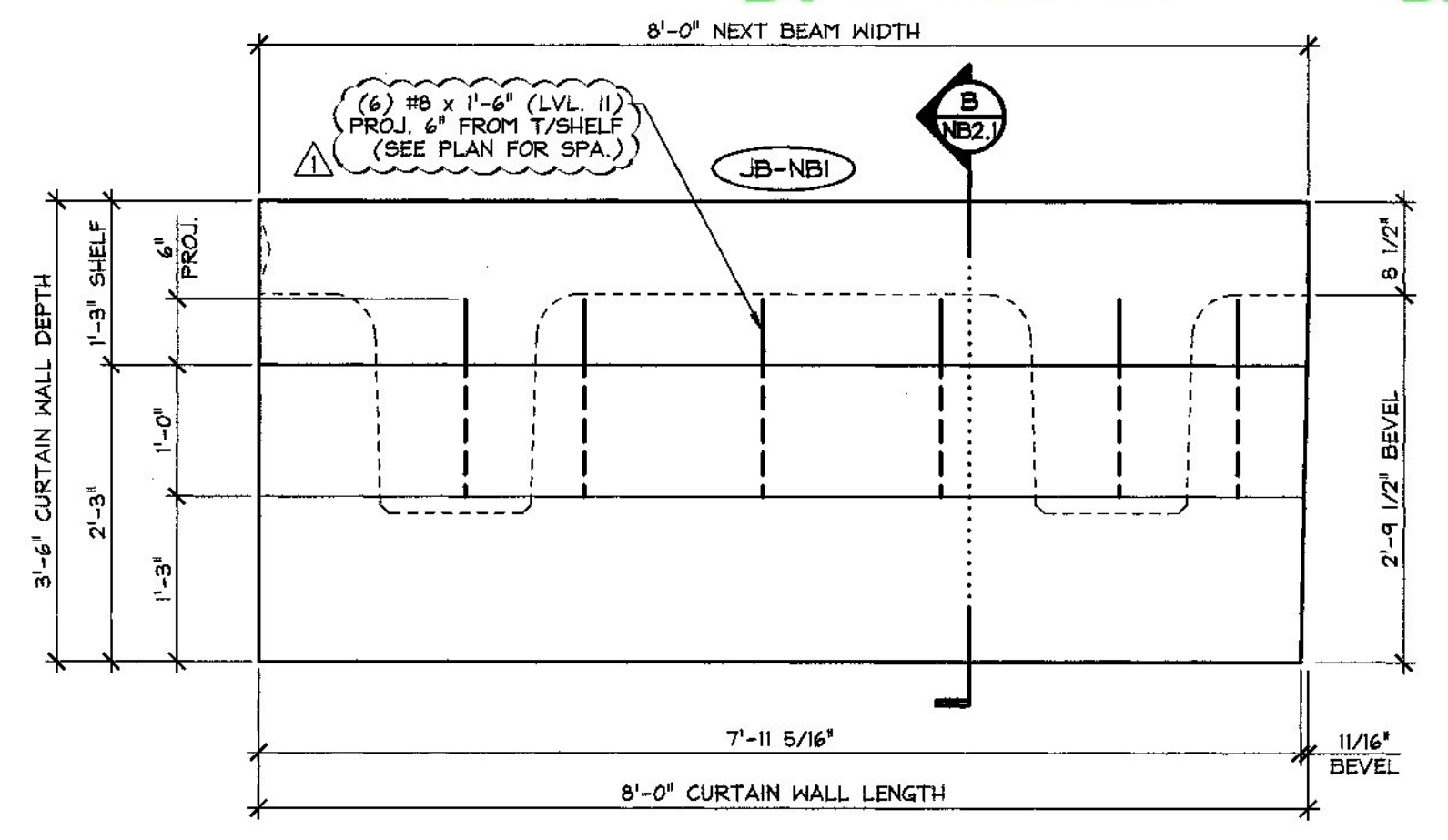
RESUBMIT NO Approved  
BY C. CARLSON DATE 04/15/15



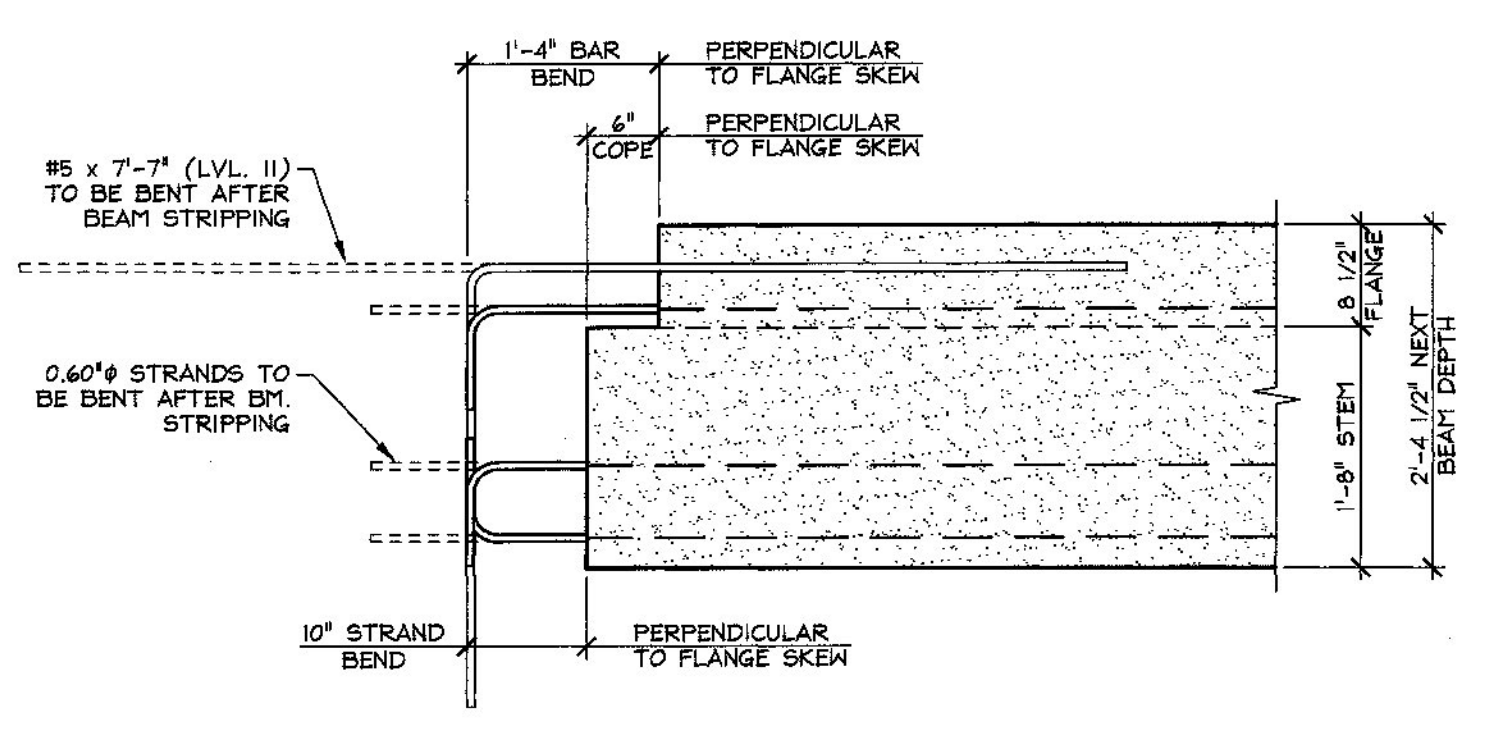
1 CURTAIN WALL DIMENSIONAL PLAN  
NB2.1 1/4" = 1'-0"



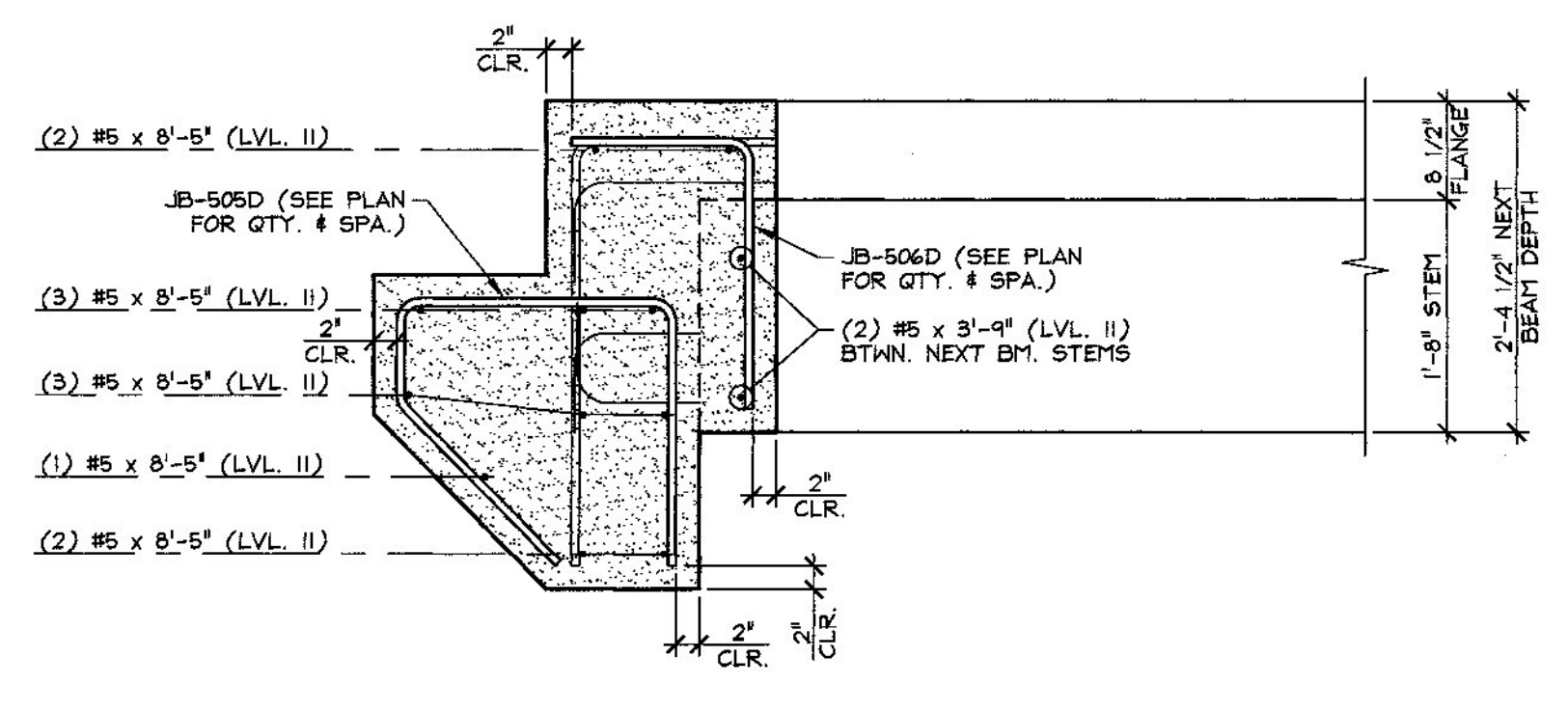
2 CURTAIN WALL REINFORCING PLAN  
NB2.1 1/4" = 1'-0"



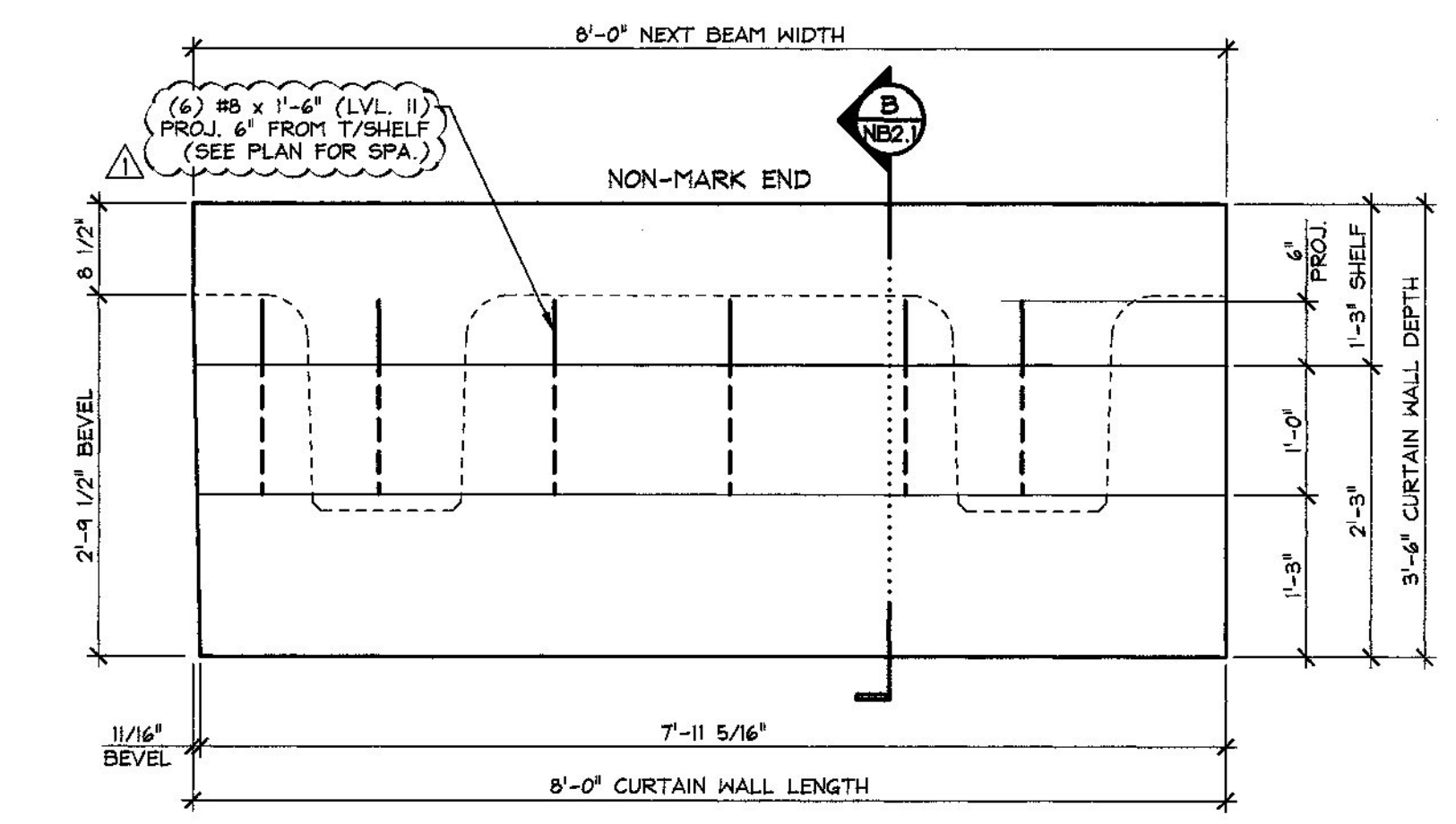
3 CURTAIN WALL ELEVATION (MARK END)  
NB2.1 COMPOSITE REINFORCING NOT SHOWN FOR CLARITY 3/4" = 1'-0"



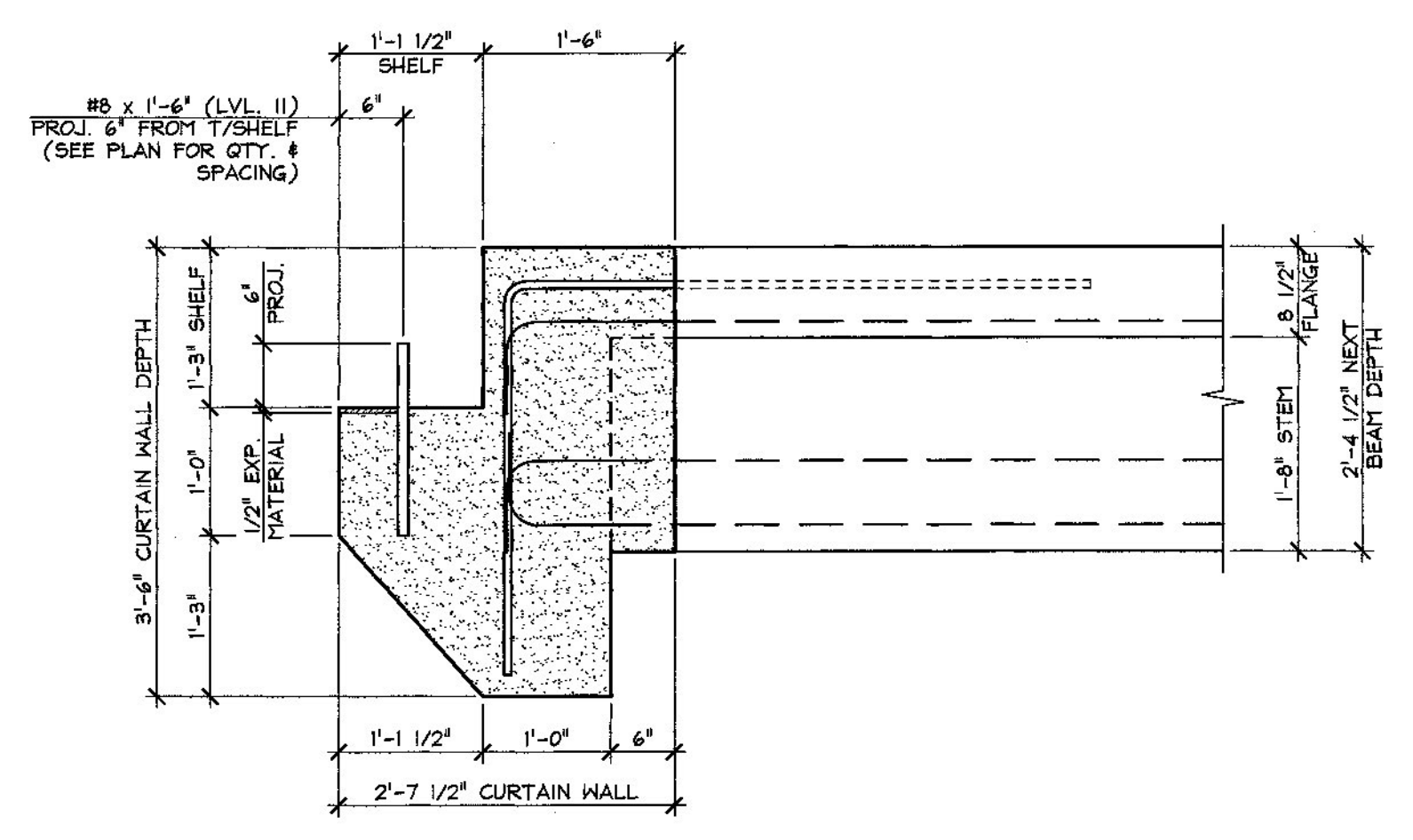
A PROJECTING STRAND & BAR BEND DETAIL  
NB2.1 3/4" = 1'-0"



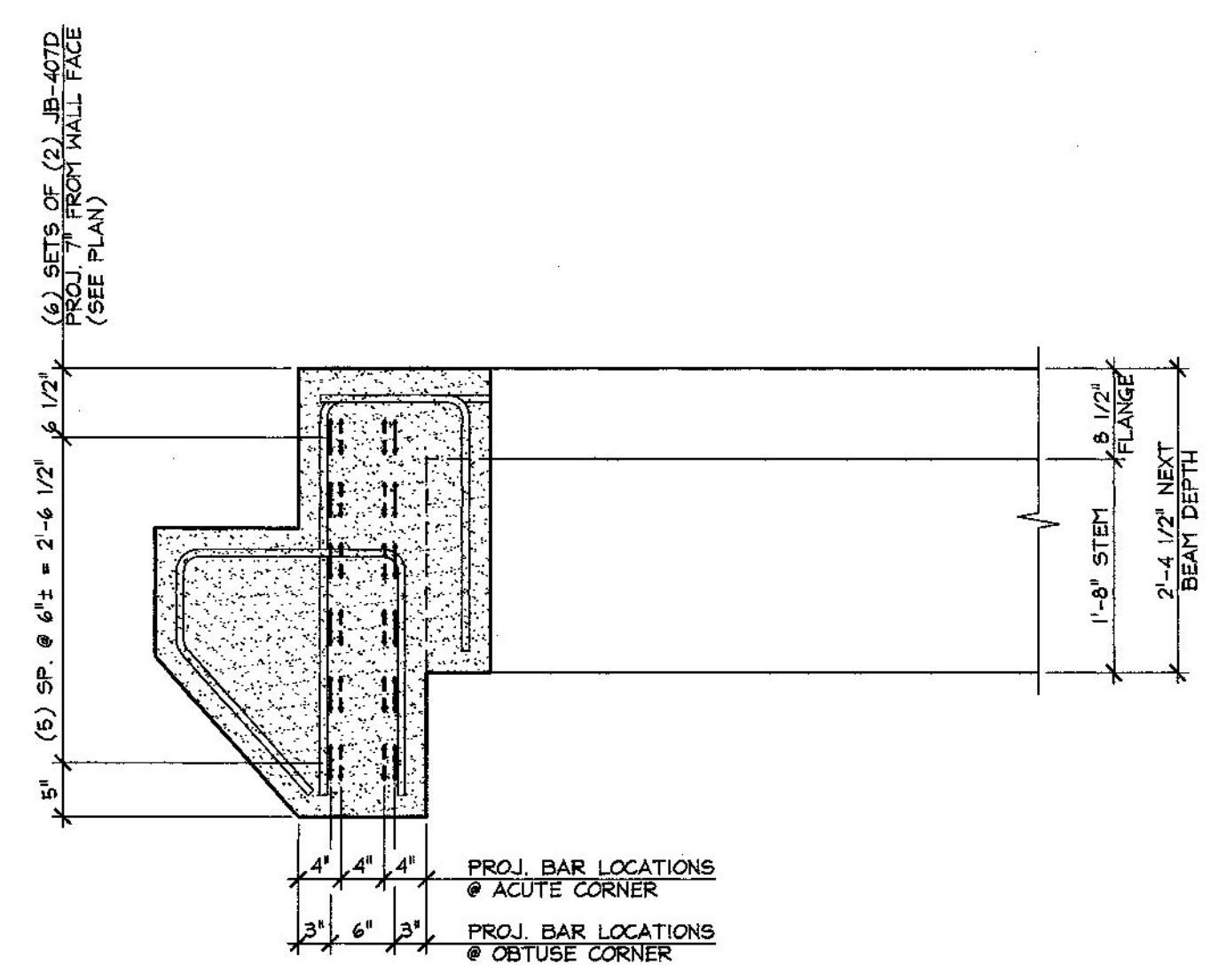
C CURTAIN WALL REINFORCING SECTION  
NB2.1 3/4" = 1'-0"



4 CURTAIN WALL ELEVATION (NON-MARK END)  
NB2.1 COMPOSITE REINFORCING NOT SHOWN FOR CLARITY 3/4" = 1'-0"



B CURTAIN WALL DIMENSIONAL SECTION  
NB2.1 3/4" = 1'-0"



D CURTAIN WALL PROJECTING BAR DETAIL  
NB2.1 3/4" = 1'-0"

19.78 cy = NEXT BEAM  
2.13 cy = CURTAIN WALL (MARK END)  
2.13 cy = CURTAIN WALL (NON-MARK END)  
24.04 cy = TOTAL BEAM VOL.  
  
40.05 T = NEXT BEAM  
4.31 T = CURTAIN WALL (MARK END)  
4.31 T = CURTAIN WALL (NON-MARK END)  
48.67 T = TOTAL BEAM WT.

4-13-15 REVISED PER V.A.T. COMMENTS

MARK: JB-NB1 QTY.: 2

MATERIAL LIST / CURTAIN WALL				
ITEM	MARK	DESCRIPTION	QTY./CURTAIN WALL	
			MARK END	NON-MARK END
1	JB-407D	#4 HAIRPIN (LEVEL II, DUAL COATED)	24	24
2				
3	JB-505D	#5 BENT BAR (LEVEL II, DUAL COATED)	9	9
4	JB-506D	#5 BENT BAR (LEVEL II, DUAL COATED)	9	9
5		#5 x 8'-5" (LEVEL II, DUAL COATED)	11	11
6		#5 x 3'-9" (LEVEL II, DUAL COATED)	2	2
7				
8		#8 x 1'-6" (LEVEL II, DUAL COATED)	6	6
9				
10				

APPROVAL STAMP:	<b>J.P. CARRARA &amp; SONS INC.</b> Precast & Prestress Manufacturer 244 GEE STR., WOODSBURY, VERMONT 05735 Phone: (802)388-6381 Fax: (802)388-9010	<b>J.A. McDONALD, INC.</b> CONTRACTOR LYNDON CENTER, VERMONT
	STATE OF VERMONT AGENCY OF TRANSPORTATION COUNTY OF CALEDONIA	
	TOWN OF WALDEN VT ROUTE NO. 15 (MINOR ARTERIAL) OVER JOE'S BROOK BRIDGE NO.: 83 PROJECT NO.: BRP 030-3(5)	
	PRECAST CURTAIN WALL DETAILS	
	DATE: FEB. 26, 2015	SCALE: NOTED
	CHKD: P.C. DFTM: B.L.	JOB NO: 23460-015
	DWG. NO: NB2.1	