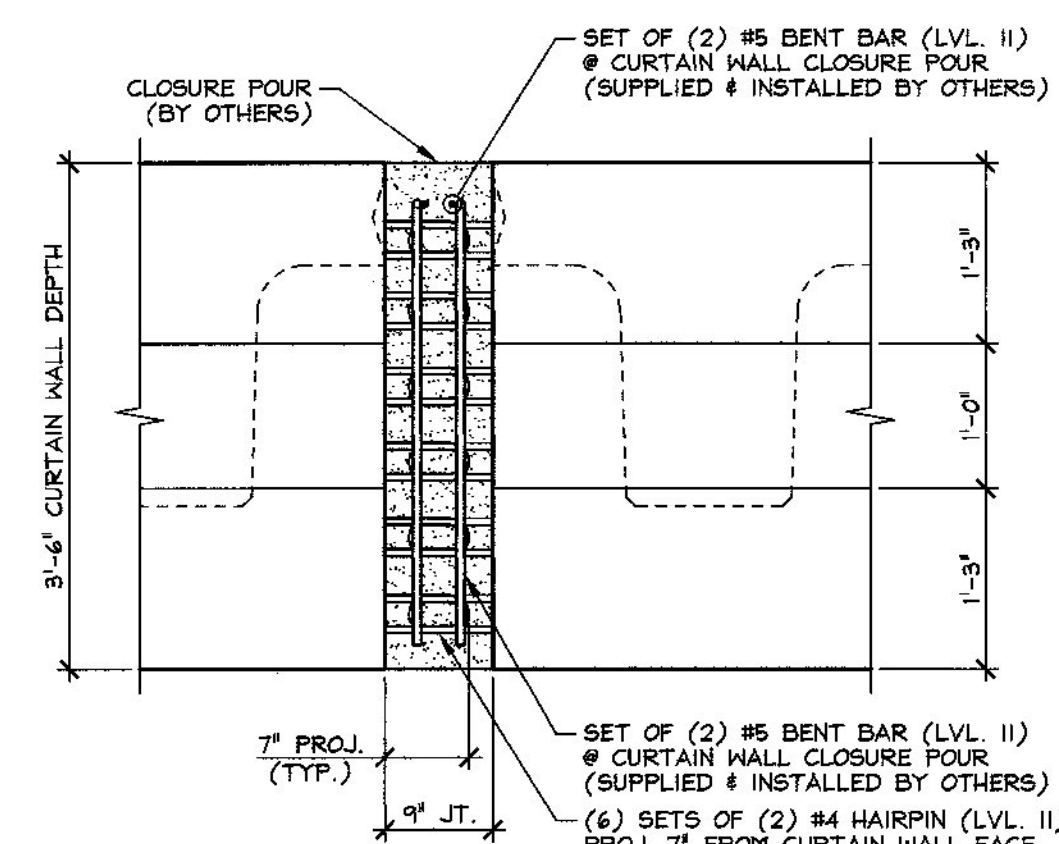
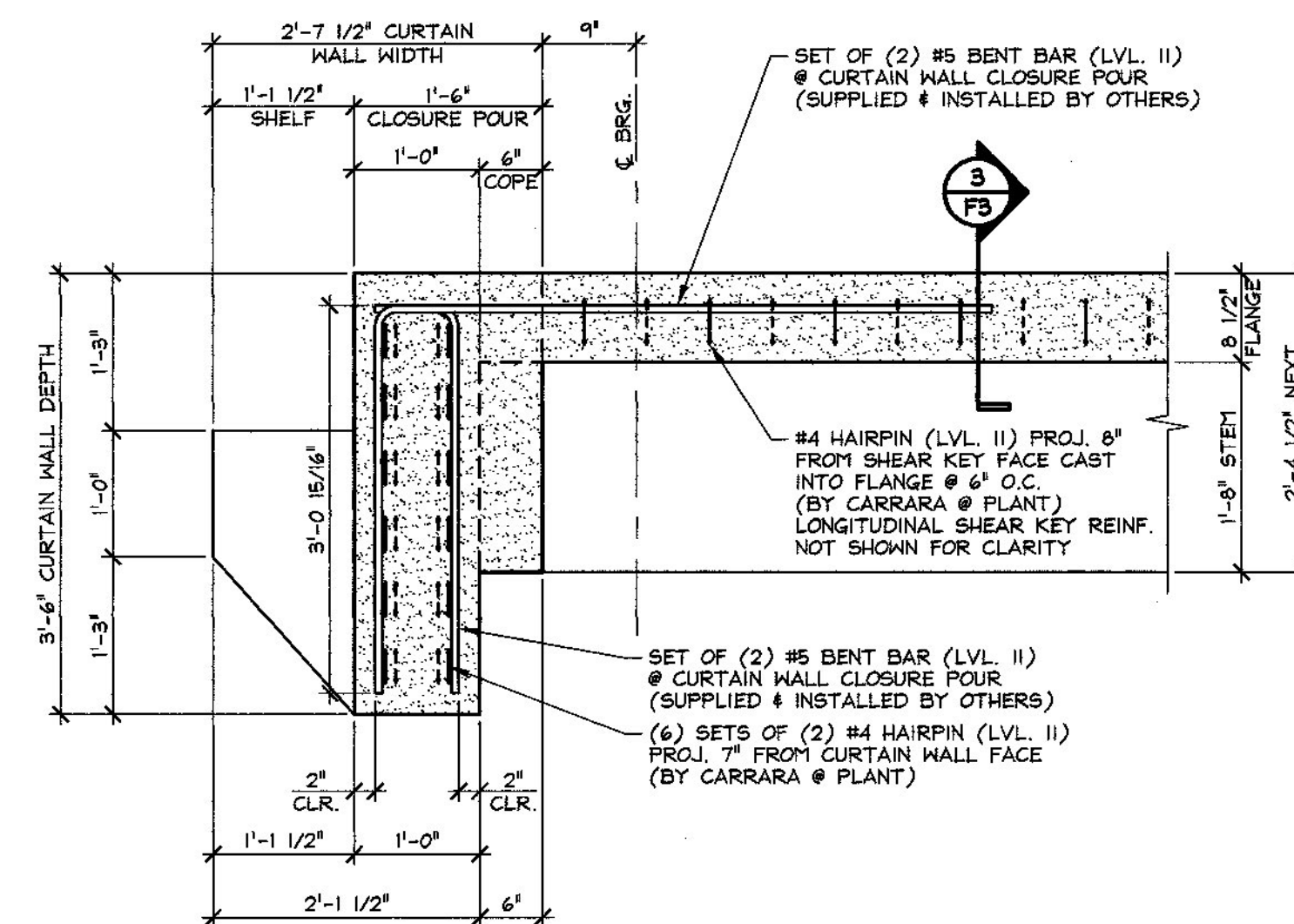


A NEXT BEAM BEARING SECTION
F3
3/4" = 1'-0"

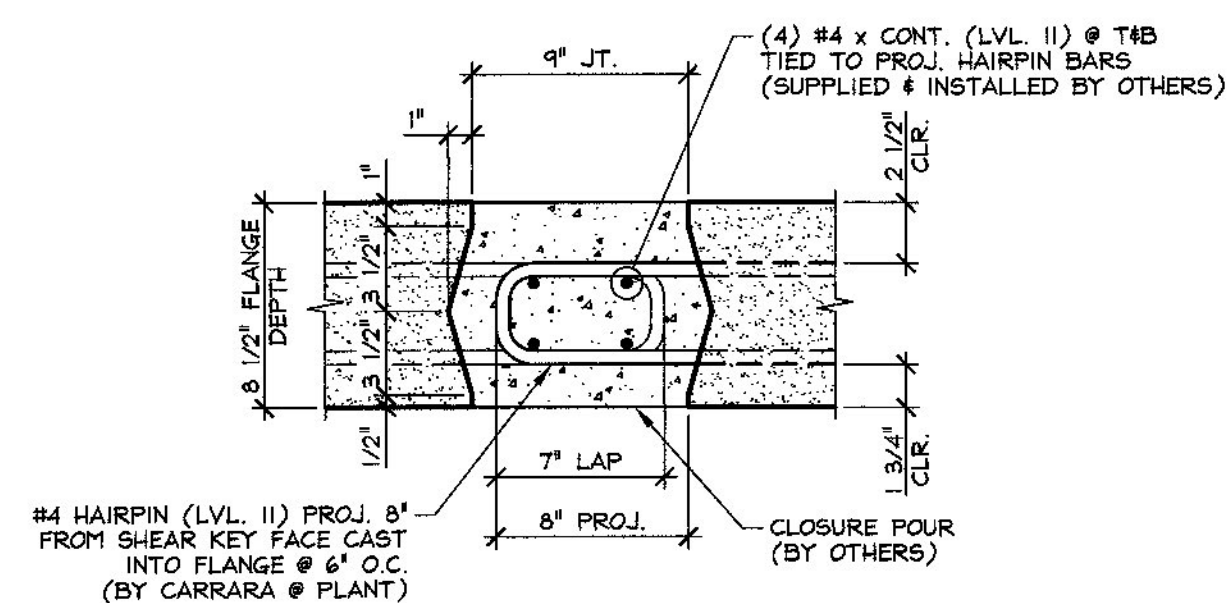


ELEVATION VIEW



SECTION VIEW

C CURTAIN WALL CLOSURE POUR DETAILS
F3
3/4" = 1'-0"



B NEXT BEAM CLOSURE POUR
F3
1 1/2" = 1'-0"

Vermont Agency of Transportation

RECEIVED

Walden Next Beams Rev1_Approved 4.15.15.pdf

CK'D BY CLB OK'D BY HIS

April 13, 2015

RESUBMIT NO Approved

BY C. CARLSON DATE 04/15/15

4-13-15 REVISED PER V.A.T. COMMENTS

APPROVAL STAMP:	J.P. CARRARA & SONS INC. Precast & Prestress Manufacturer 2464 GAGE STR., WOODBURY, VERMONT 05735 Phone: (802) 388-6361 Fax: (802) 388-9010		J.A. McDONALD, INC. CONTRACTOR LYNDON CENTER, VERMONT	
	STATE OF VERMONT AGENCY OF TRANSPORTATION COUNTY OF CALEDONIA		DATE: FEB. 26, 2015	SCALE: NOTED
	TOWN OF WALDEN VT ROUTE NO. 15 (MINOR ARTERIAL) OVER JOE'S BROOK BRIDGE NO.: 83 PROJECT NO.: BRF 030-3(5)		CHKD: P.C. DFTM: B.L.	JOB NO: 23460-015
	PRESTRESSED NEXT BEAM DETAILS & CURTAIN WALL DETAILS		DWG. NO: F3	