

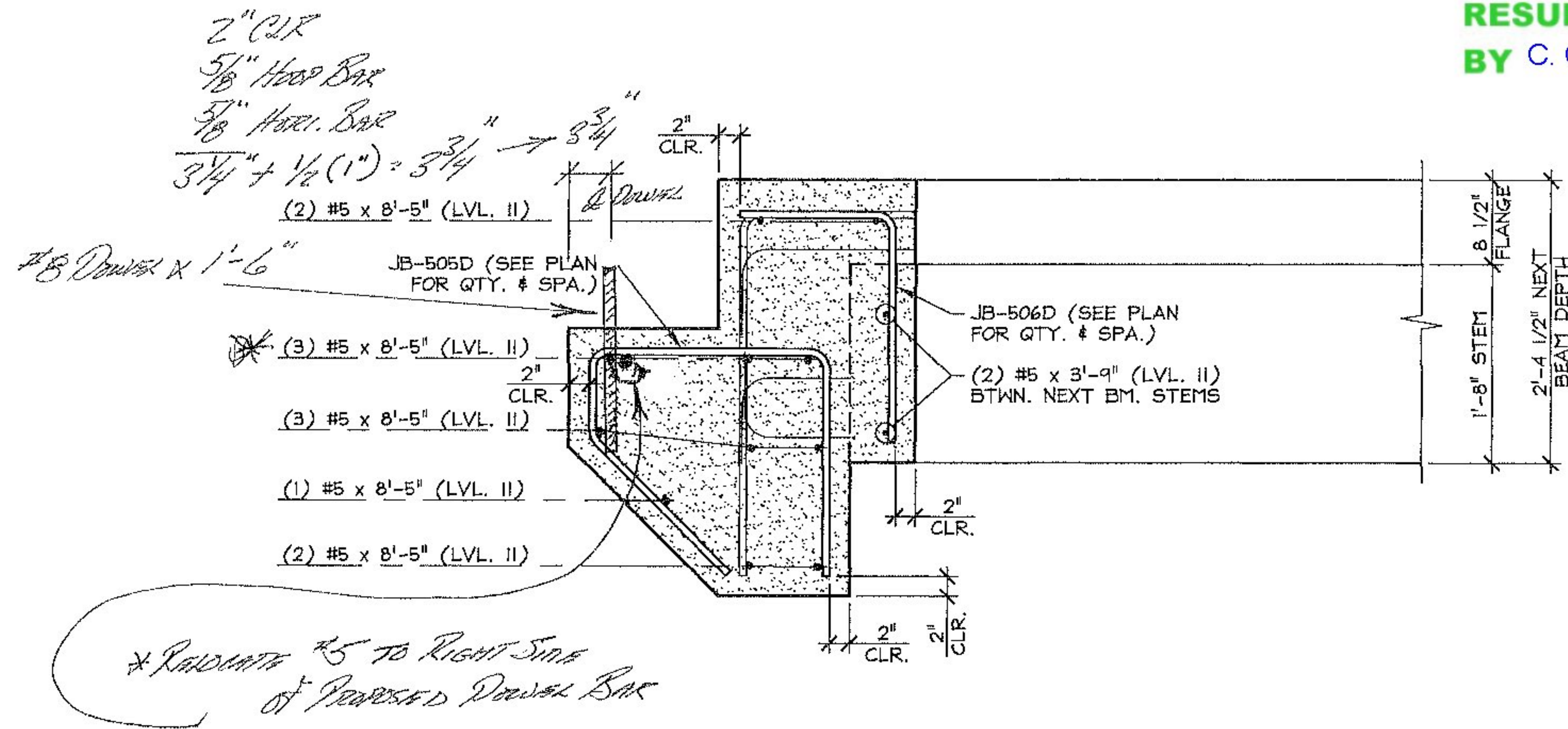
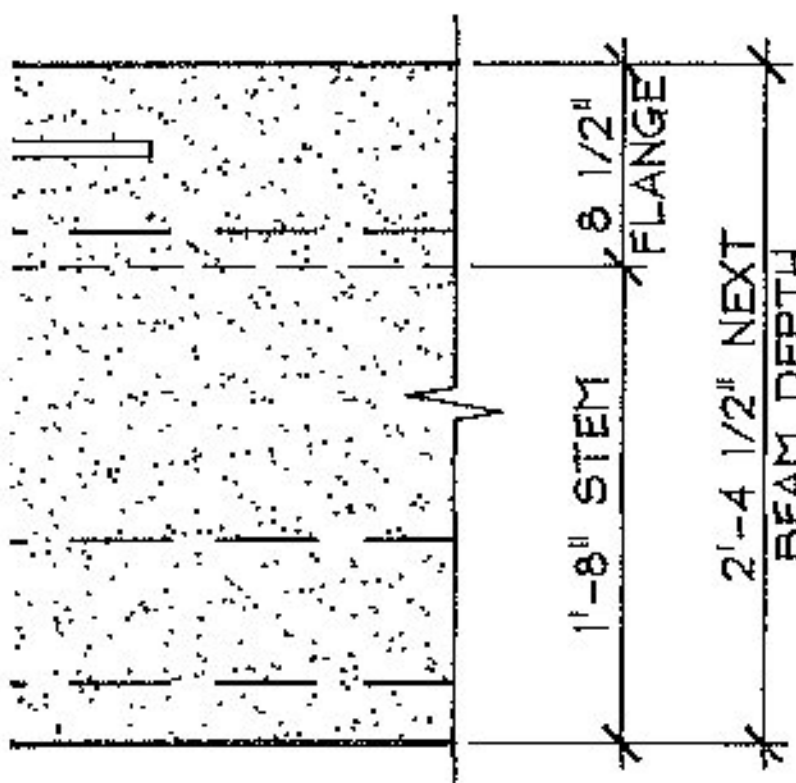
RECEIVED

WALDEN APPROACH SLAB DOWEL.DWG

CK'D BY JEL OK'D BY CLB

June 15, 2015

RESUBMIT NO Approved
BY C. CARLSON DATE 06/15/15



BEND DETAIL
3/4" = 1'-0"

C CURTAIN WALL REINFORCING SECTION
NB2.1 3/4" = 1'-0"

4
NB2.1

2 SETS OF (2) JB-40TD
COL. 7' FROM WALL FACE
(SEE PLAN)

19.78 cy = NEXT BEAM
2.13 cy = CURTAIN WALL {
2.13 cy = CURTAIN WALL {
24.04 cy = TOTAL BEAM

40.05 T = NEXT BEAM
4.31 T = CURTAIN WALL {
4.31 T = CURTAIN WALL {
48.67 T = TOTAL BEAM