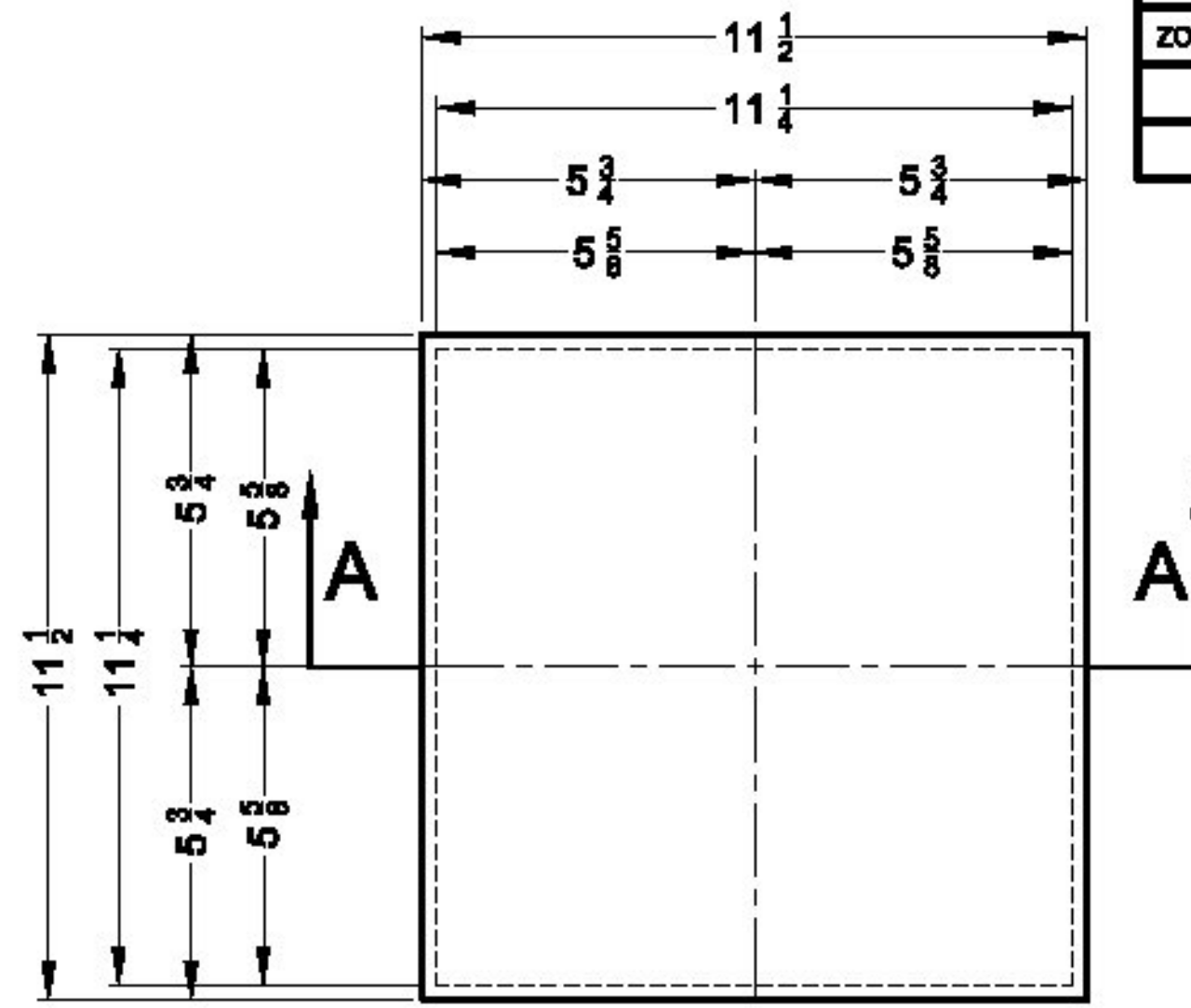
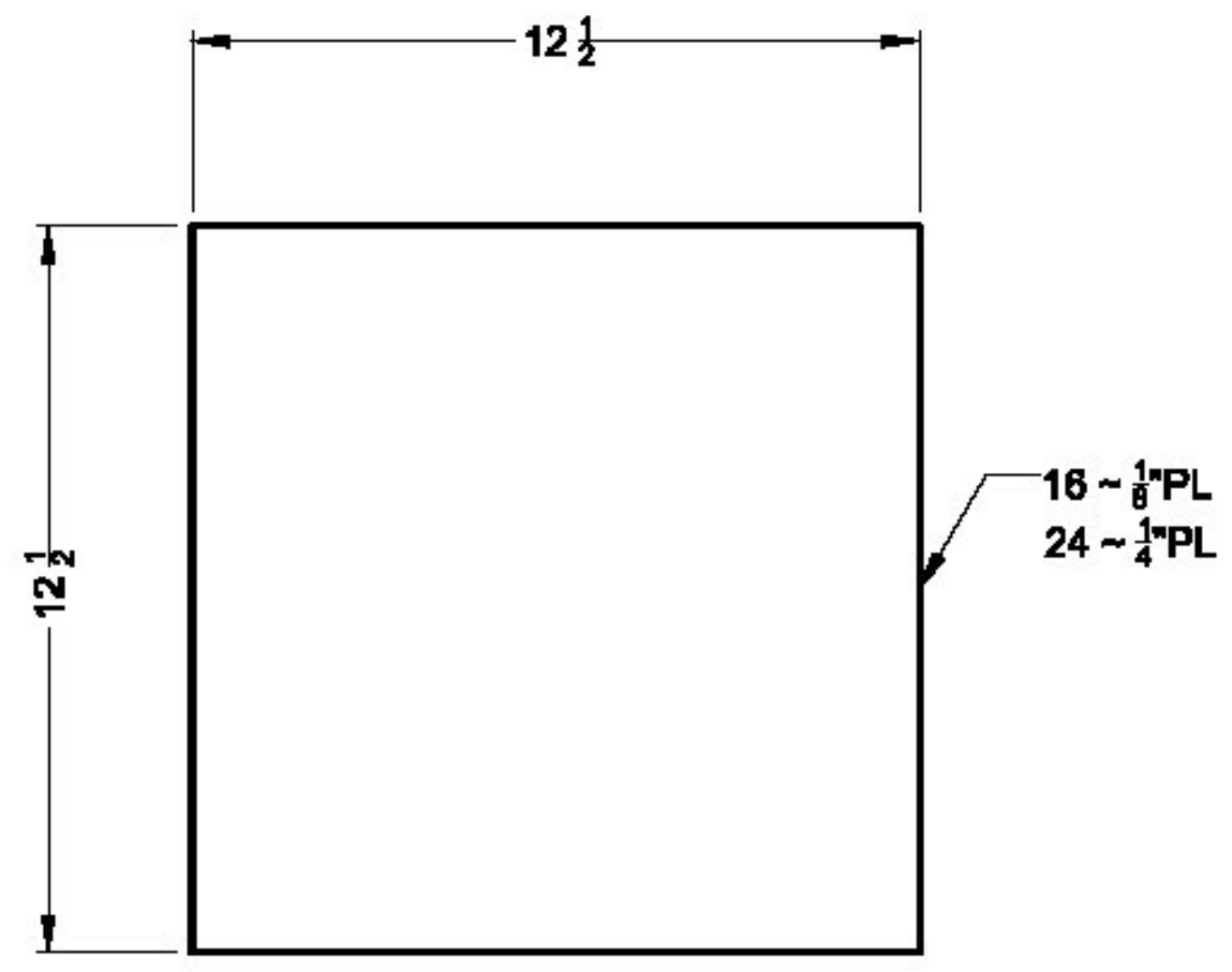


REVISIONS					
ZONE	REV	DESCRIPTION	REVISED BY	DATE	APPROVED

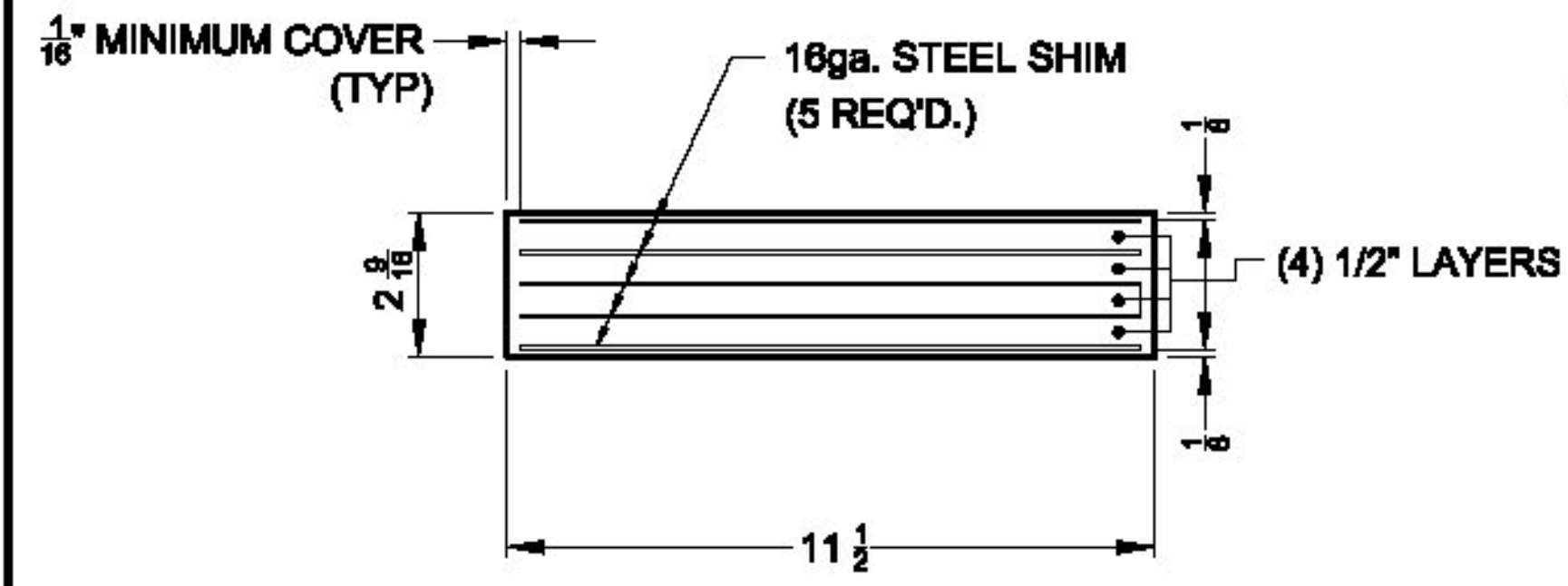


PLAN VIEW



A709 Gr36 GALVANIZED SHIM PLATE PLAN VIEW

QTY. REQ'D. = 16~ 1/8" PLATE
QTY. REQ'D. = 24~ 1/4" PLATE



SECTION A-A

QTY. REQ'D. = 16

NOTES:

- MANUFACTURING FACILITY LOCATION:
AMSCOT STRUCTURAL PRODUCTS CORP.
241 E. BLACKWELL STREET
DOVER, N.J. 07801
CONTACT- PETER SOMOGYI
PH: 973-968-8800
FAX: 973-968-5851
- ALL BEARING PADS TO BE MANUFACTURED IN ACCORDANCE WITH AASHTO SECTION 18. THE ELASTOMER SHALL BE GRADE 4 NATURAL RUBBER WITH A DUROMETER HARDNESS OF 60 ± 6. THE STEEL REINFORCING PLATES SHALL CONFORM TO ASTM A36.
- THE BEARINGS ARE DESIGNED SO THE SUPERSTRUCTURE MAY BE ERECTED WHEN THE AMBIENT AIR TEMPERATURE IS WITHIN THE RANGE OF 40° F. TO 80° F.
- ALL DIMENSIONS ARE IN INCHES , UNLESS OTHERWISE NOTED.
- TOLERANCES: THICKNESS -0 +1/8
PLAN -0 +1/8

Vermont Agency of Transportation
RECEIVED

CK'D BY HIS _____ OK'D BY JAG _____
February 20, 2015

RESUBMIT No _____ Approved _____
BY Carolyn Carlson DATE 2/25/2015

WALDEN BRF 030-3(5)		
FEDERAL PROJECT NO. :		
CONTRACT NO. :	PIN NO. :	
ELASTOMERIC BEARING DETAILS		
AMSCOT STRUCTURAL PRODUCTS CORP.		
SCALE: N.T.S.	APPR'VD:	DRAWN BY: E.J.G.
DATE: 2/17/15	BF	REVISION: 0
FOR: J.A. McDONALD, INC.		
DWG NO: JAM15A1R0	SHEET 1 OF 1	