

RECEIVED

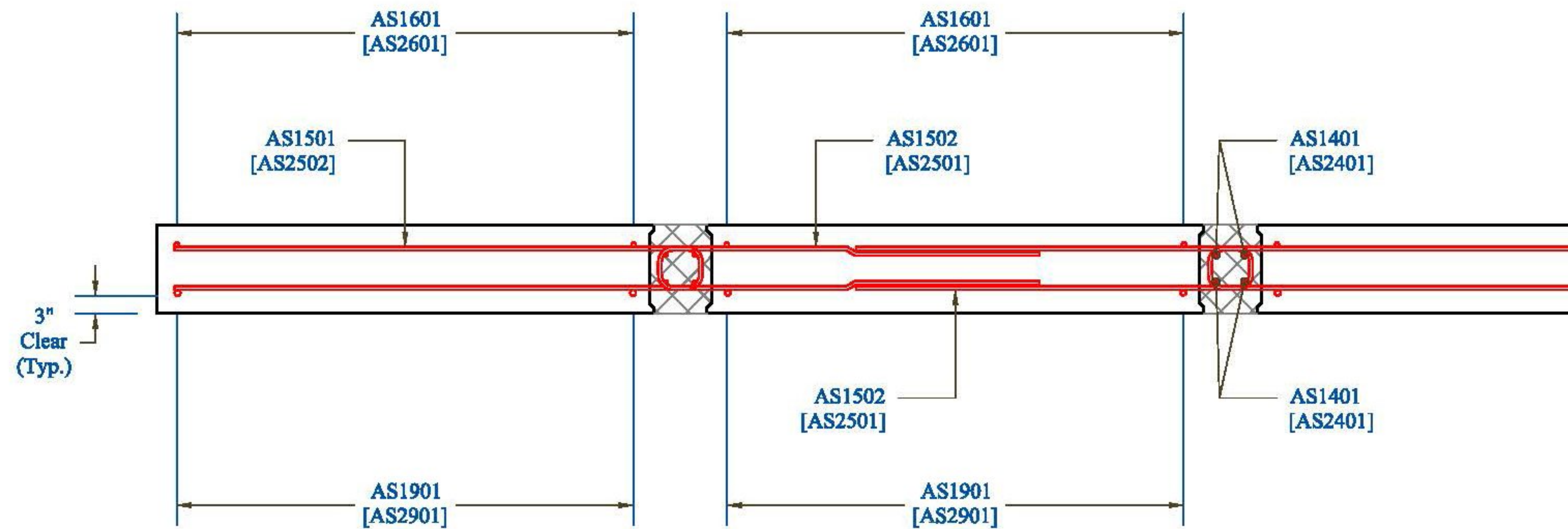
Approach Slab Submittal #2, Approval 4.22.15.pdf

CK'D BY CLB OK'D BY HIS

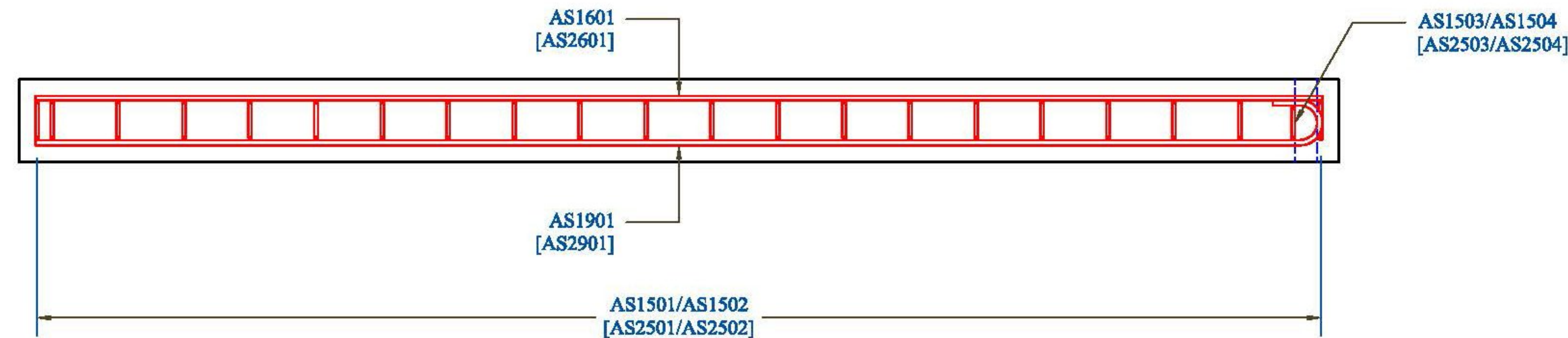
April 20, 2015

RESUBMIT NO Approved

BY C. CARLSON DATE 04/22/15



Section A-A



Section B-B

CONTRACTORS VISPE	Rev.	Date	By	Description	PRECAST CONCRETE APPROACH SLAB SHOP DRAWINGS (SDI JOB #15801)		INSTALLER:	FABRICATOR:
	1	04/16/15	IBA	Changes per State Review	SUPERVISOR: E. Barendse	PROJECT NAME: Walden BR# 030-3(5)	J.A. McDonald, Inc. PO Box 132 Lyndon Center, VT 05850	193 INDUSTRIAL AVE. WILLISTON, VT 05495 Ph: (802) 658-0201
					DETAILER: I. ADAMS	PROJECT #: 030-3(5)		
					CHECKER: E. Barendse	LOCATION: Walden, VT		
					ENGINEER: VT AOT			
							04/08/2015	BAR_SECTION_VIEWS
								6_OF_10

