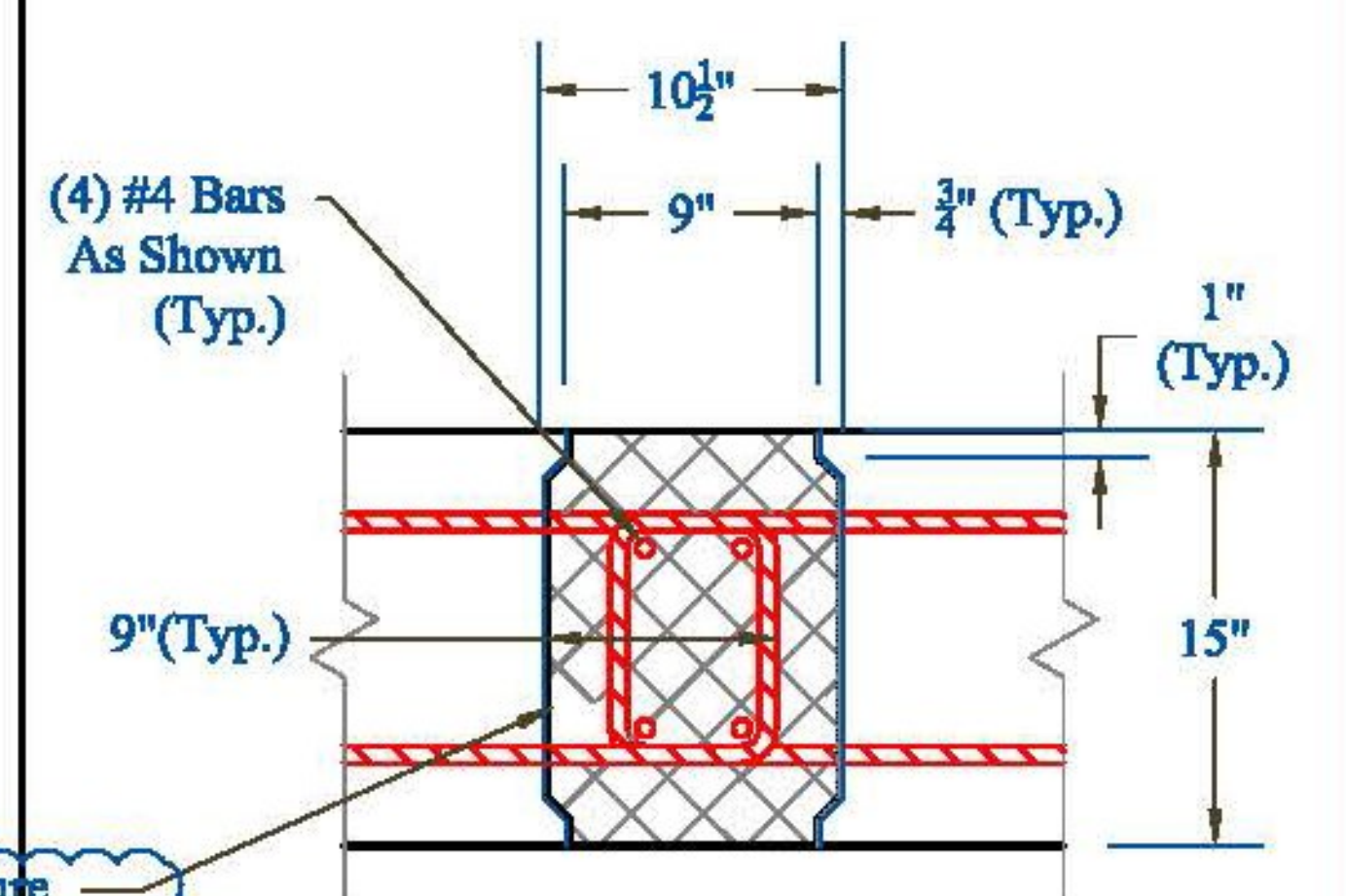
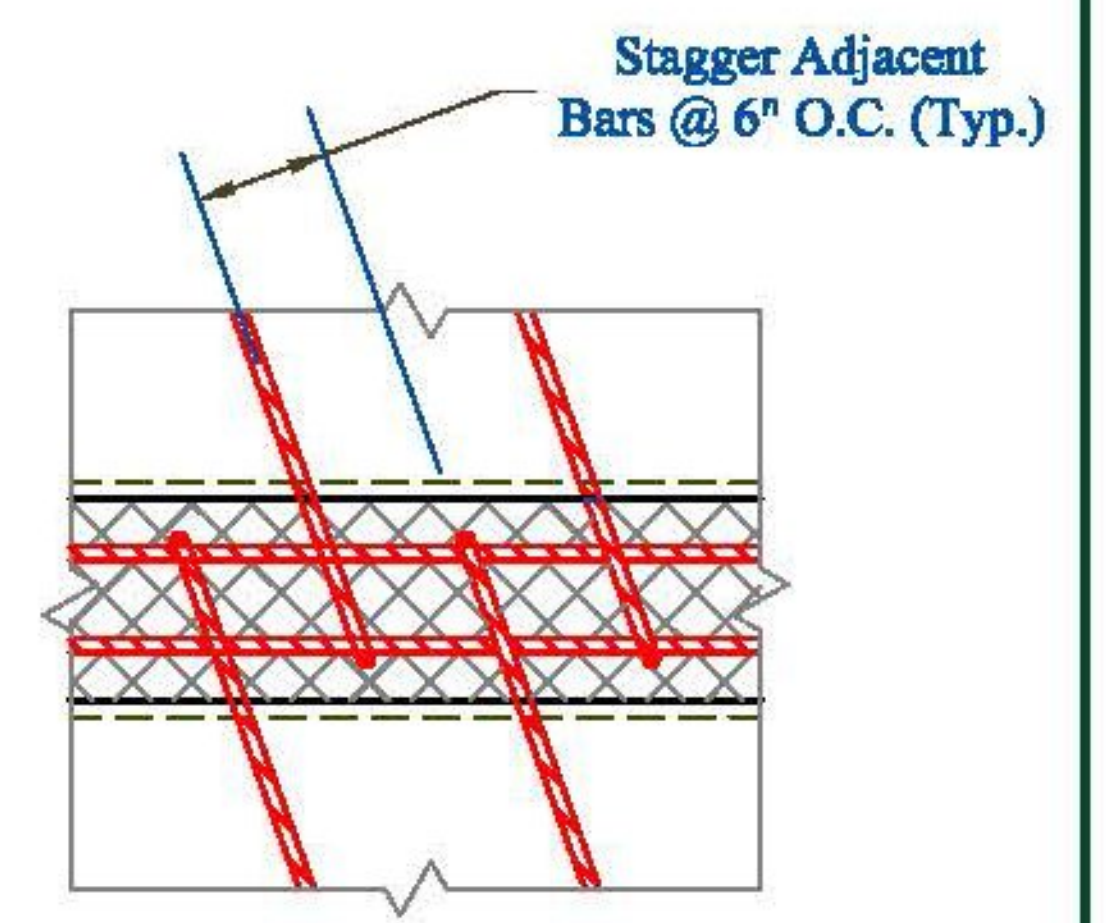


Surfaces in closure pours to be treated with retarder and power washed to create roughened surface prior to shipping

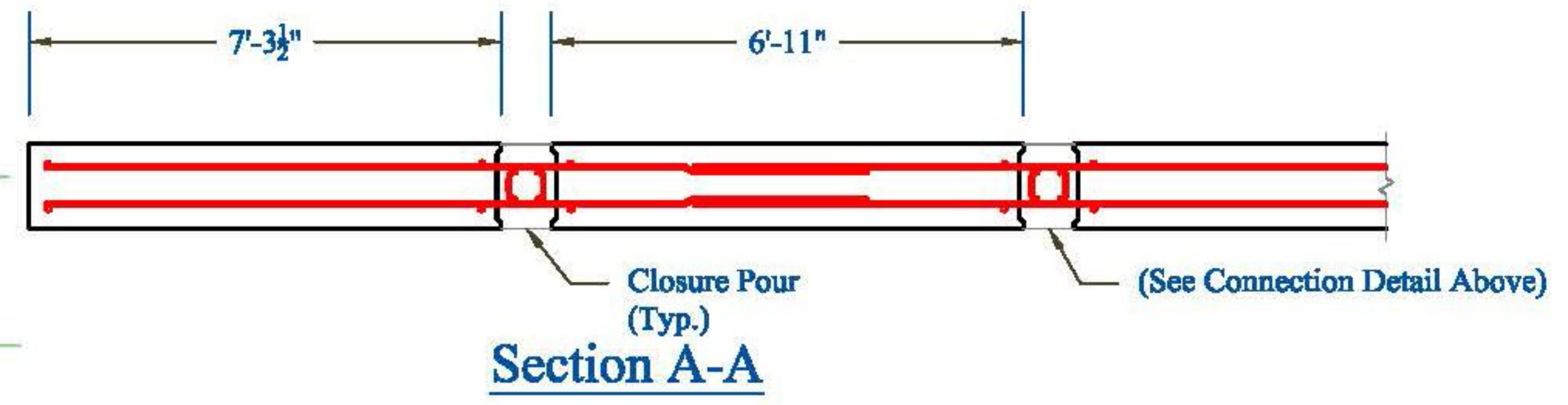


Connection Detail Section



Connection Detail Plan

Table of Pieces				
Name	Qty	Thickness	Vol (Cu Yd)	Wt (lbs)
As#1	1	1'-3"	6.75	27,000
As#2	1	1'-3"	6.4	25,600
As#3	1	1'-3"	6.4	25,600
As#4	1	1'-3"	6.75	27,000
As#5	1	1'-3"	6.75	27,000
As#6	1	1'-3"	6.4	25,600
As#7	1	1'-3"	6.4	25,600
As#8	1	1'-3"	6.75	27,000



Section A-A

Vermont Agency of Transportation
RECEIVED

CK'D BY CLB OK'D BY HIS
April 20, 2015

RESUBMIT NO Approved
BY C. CARLSON DATE 04/22/15

CONTRACTORS VISPE	Rev	Date	By	Description
	1	04/16/15	IBA	Changes per State Review

PRECAST CONCRETE APPROACH SLAB SHOP DRAWINGS (SDI JOB #15801)

SUPERVISOR: E. Barendse DETAILER: I. ADAMS CHECKER: E. Barendse ENGINEER: VT AOT	PROJECT NAME: Walden BR# 030-3(5) PROJECT # 030-3(5) LOCATION: Walden, VT	INSTALLER: J.A. McDonald, Inc. PO Box 132 Lyndon Center, VT 05850	FABRICATOR: 193 INDUSTRIAL AVE. WILLISTON, VT 05495 Ph: (802) 658-0201
---	--	--	---

04/08/2015 PLAN_VIEW 2_OF_10

