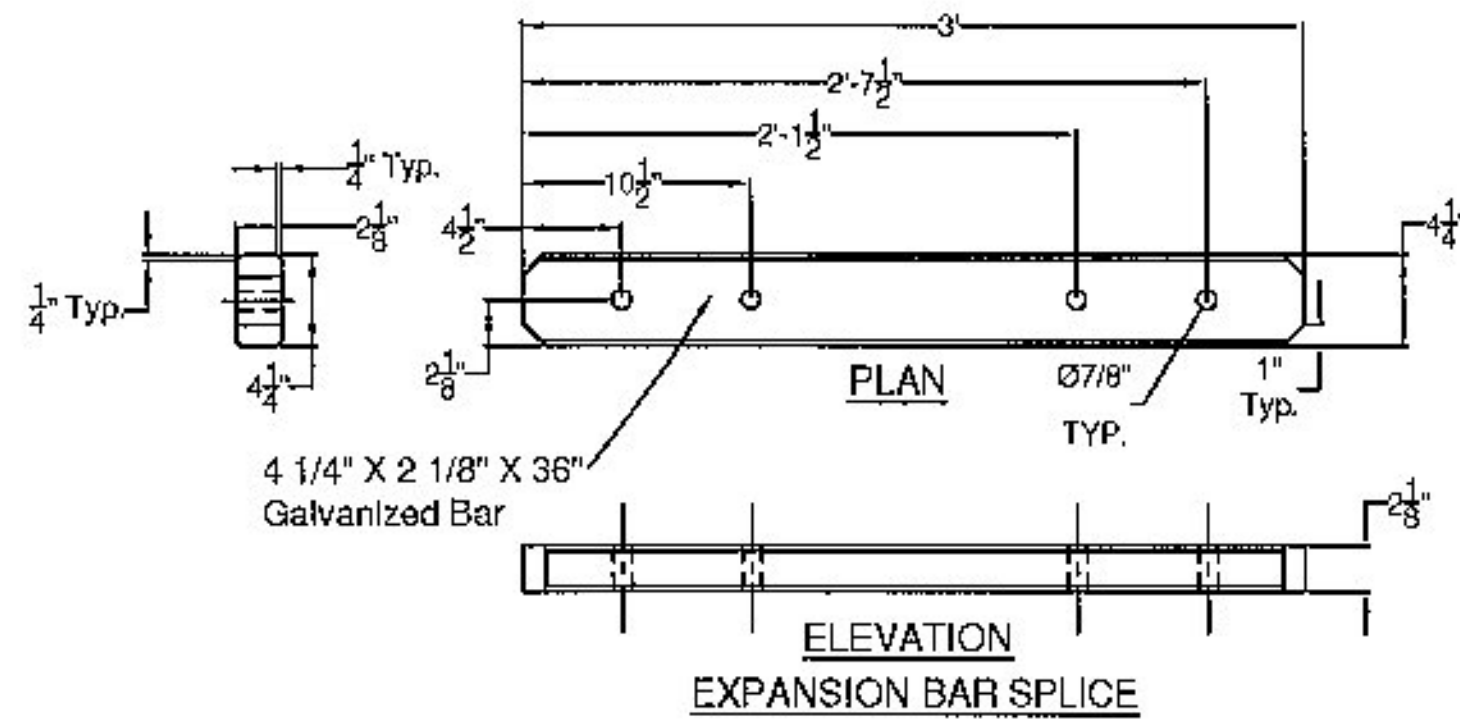
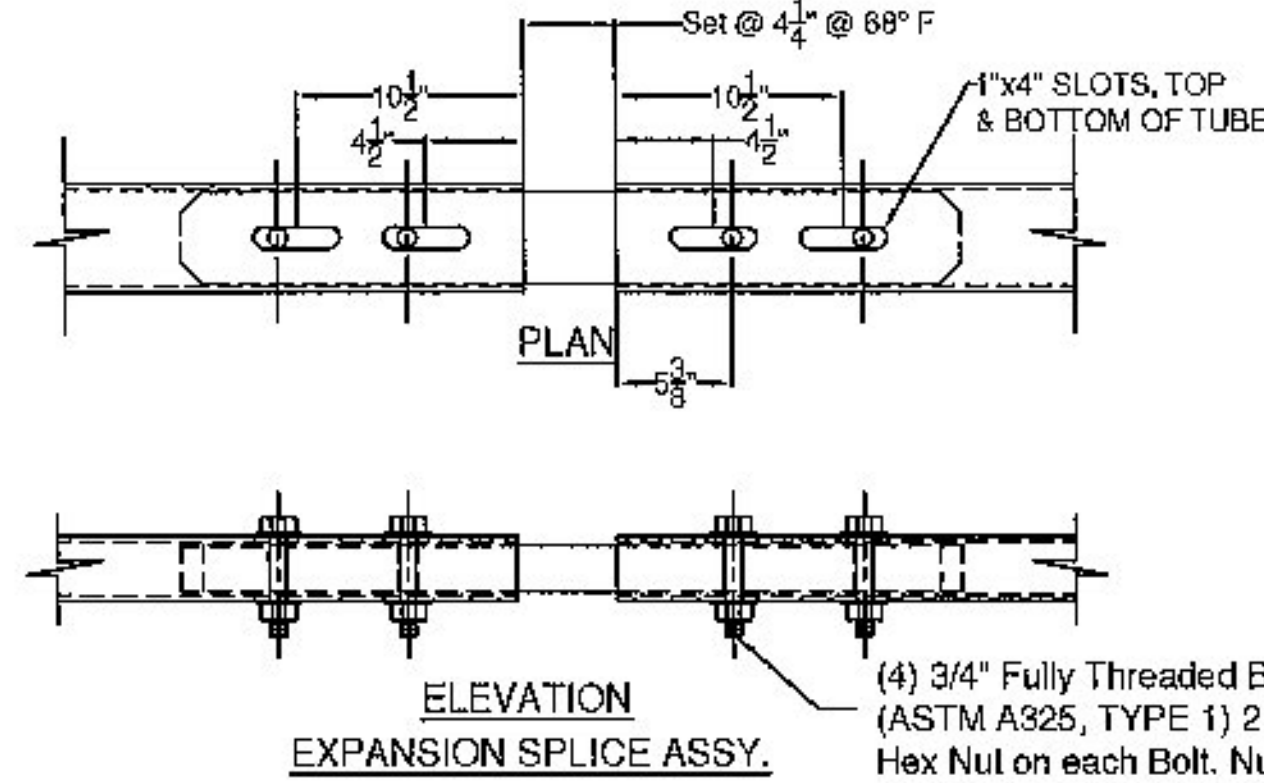


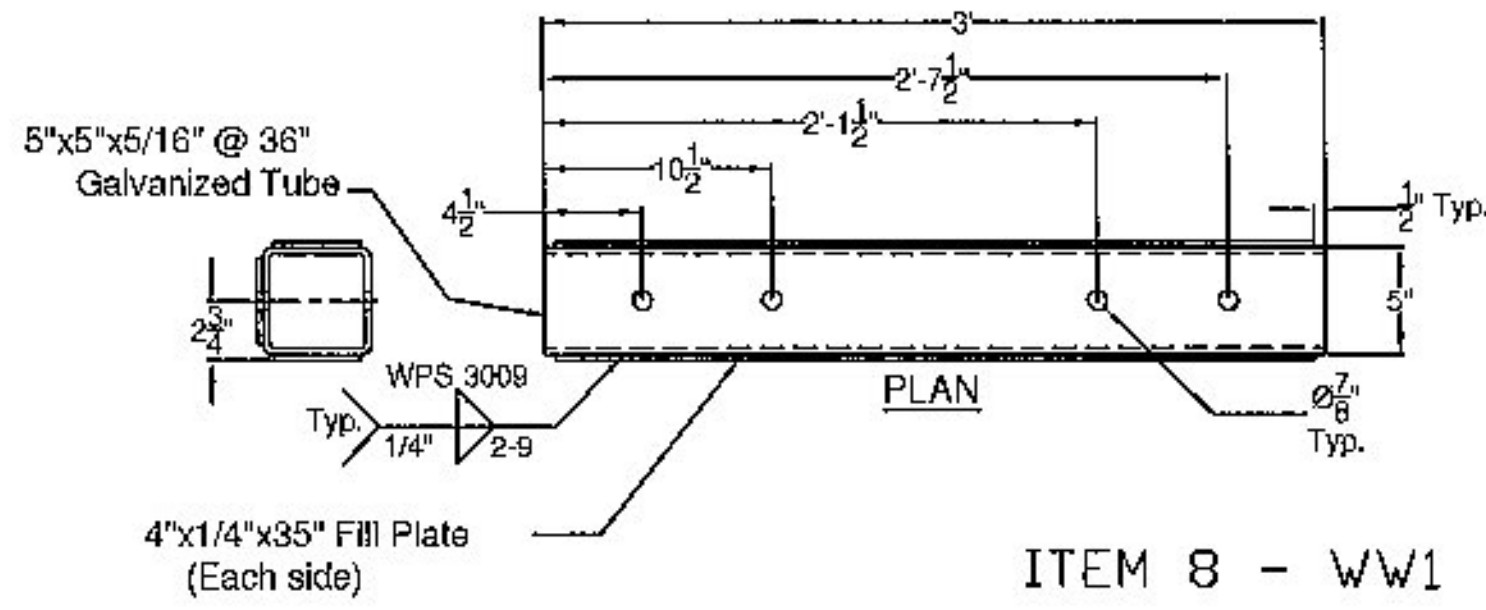
**SPLICE BAR - EXPANSION**



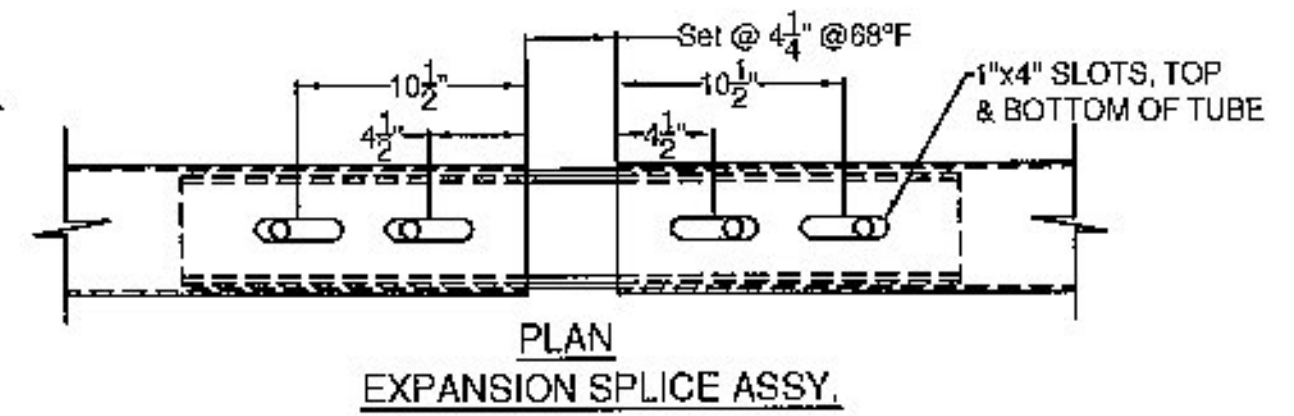
ITEM 9 - WW1



(4) 3/4" Fully Threaded Bolts, 4 1/2" Long (ASTM A325, TYPE 1) 2 Washers and a Heavy Hex Nut on each Bolt. Nut to be Finger Tight and the First Thread below the nut to be damaged A.O.B.E.. 4 Bolts at Each Splice.

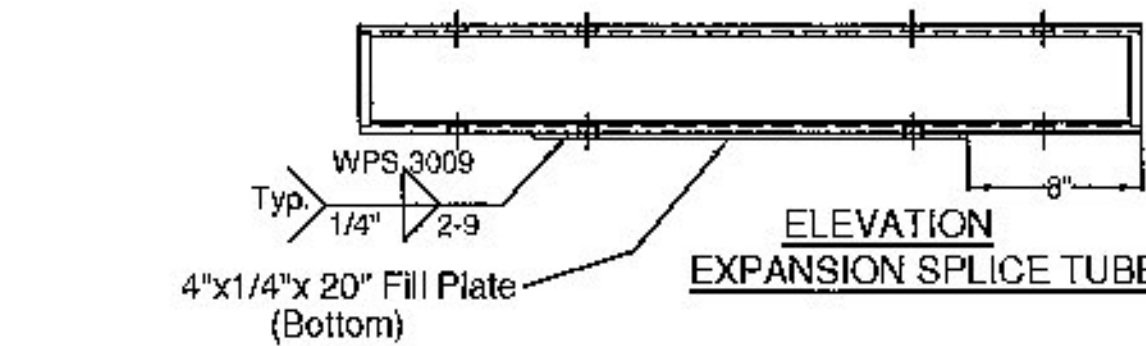


ITEM 8 - WW1

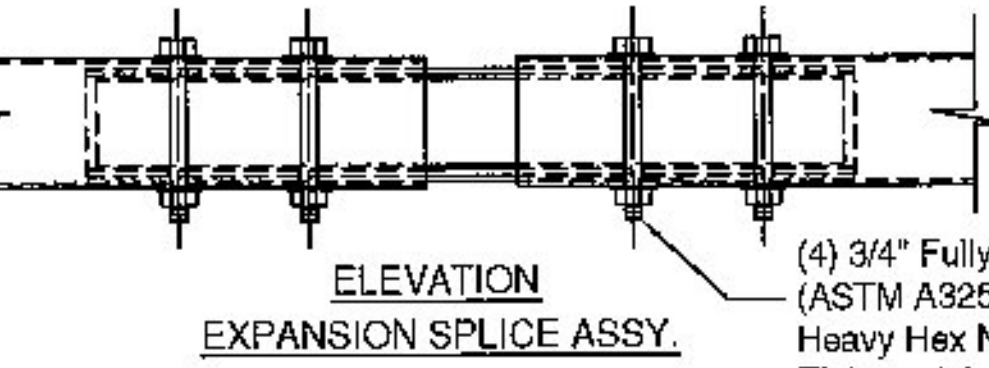


(4) 3/4" Fully Threaded Bolts, 7 1/2" Long (ASTM A325, TYPE 1) 2 Washers and a Heavy Hex Nut on each Bolt. Nut to be Finger Tight and the First Thread below the nut to be damaged A.O.B.E.. 4 Bolts at Each Splice.

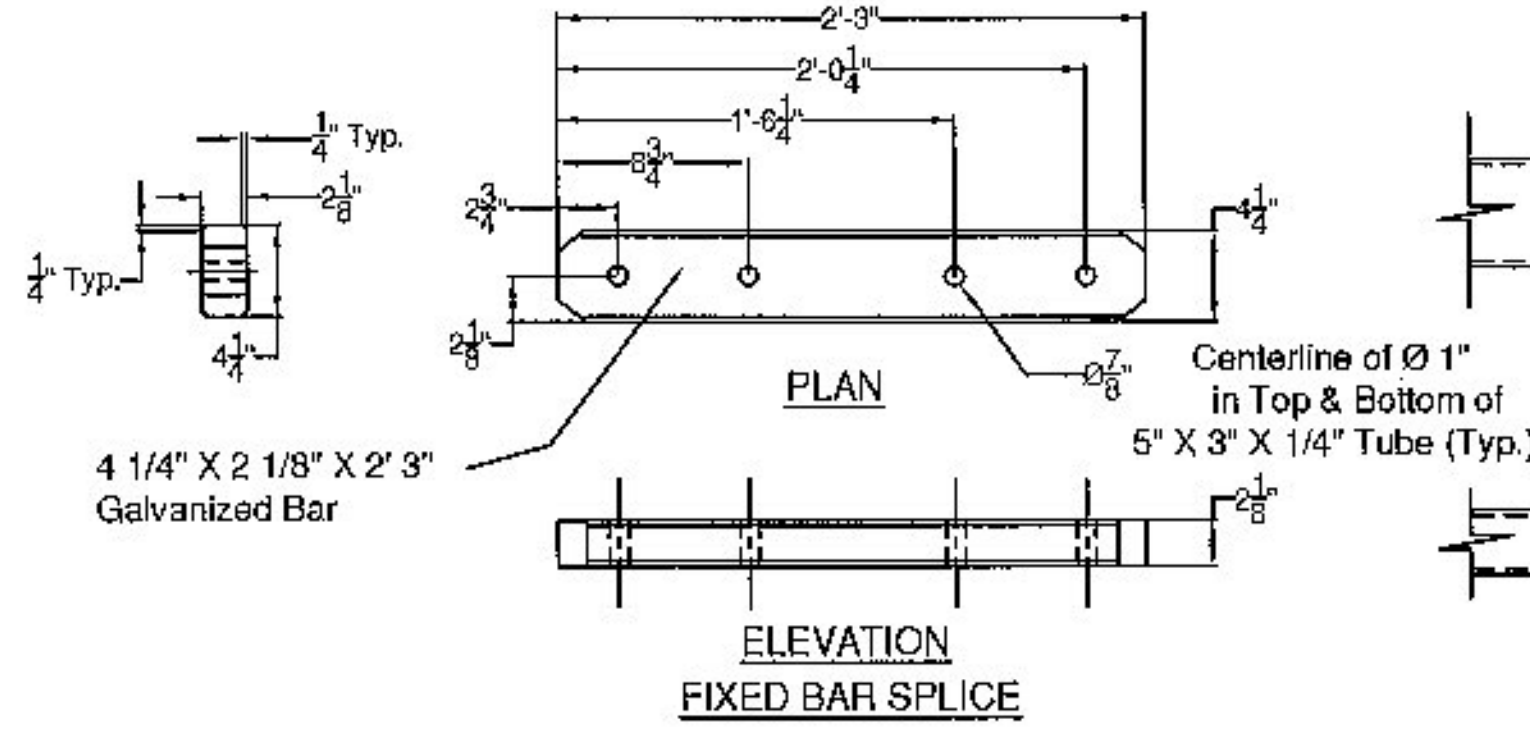
**SPLICE TUBE - EXPANSION**



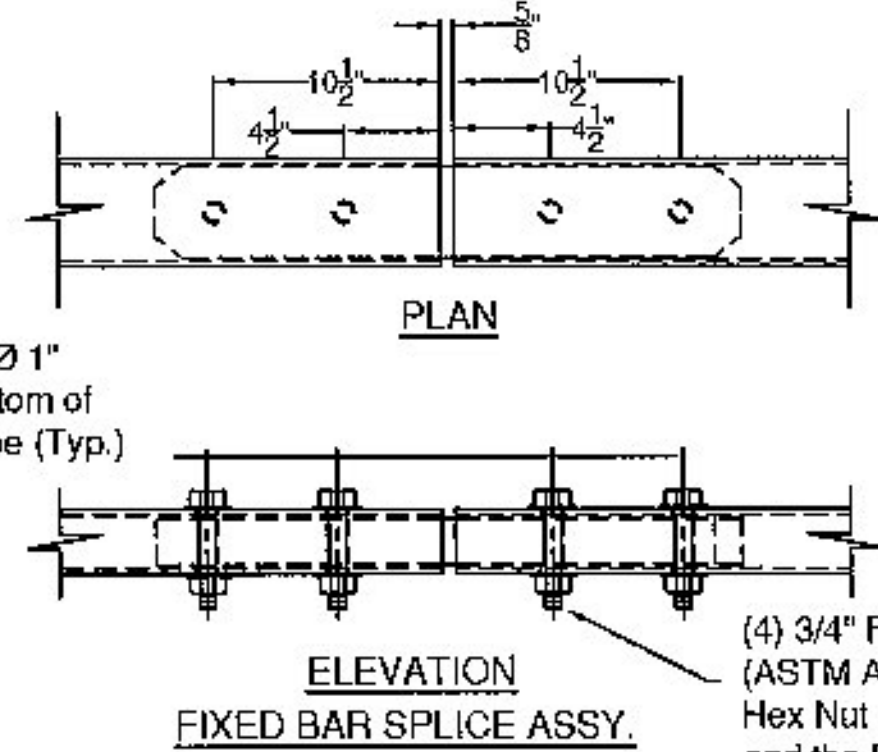
ITEM 8-3 - WW3 & 4



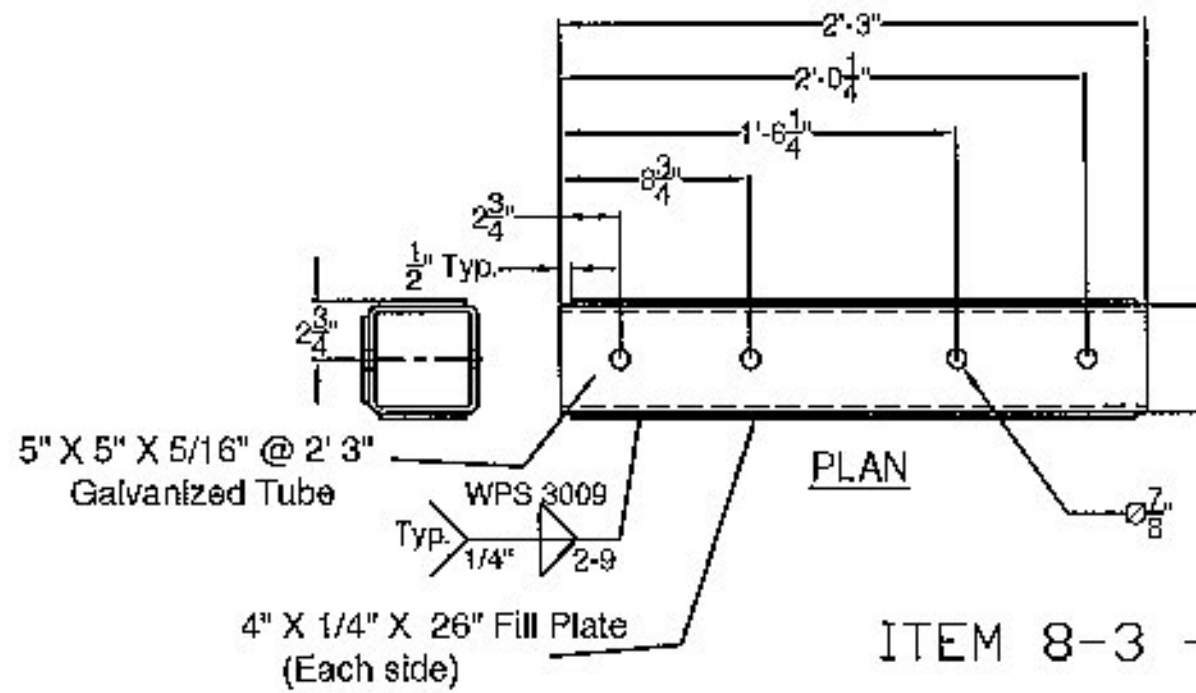
**SPLICE BAR - FIXED**



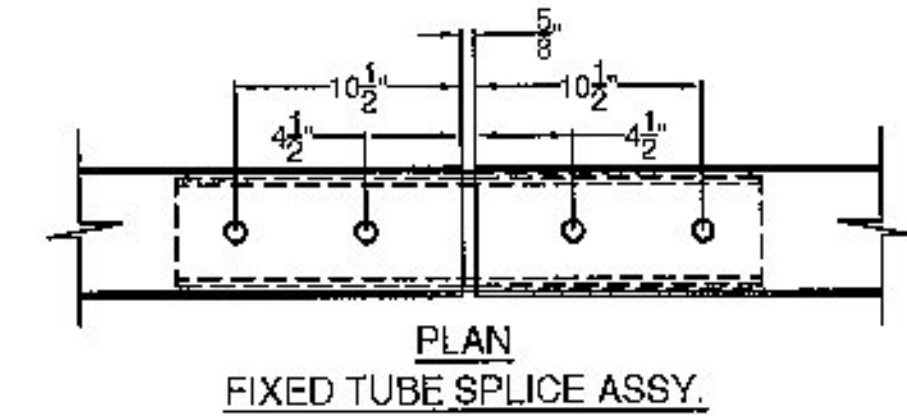
ITEM 9-3 - WW3 & 4



(4) 3/4" Fully Threaded Bolts, 4 1/2" Long (ASTM A325, TYPE 1) 2 Washers and a Heavy Hex Nut on each Bolt. Nut to be Finger Tight and the First Thread below the nut to be damaged A.O.B.E.. 4 Bolts at Each Splice.



ITEM 8-3 - WW3 & 4



Centerline of Ø 1" in Top & Bottom of 6" X 6" X 3/16" Tube (Typ.)

(4) 3/4" Fully Threaded Bolts, 7 1/2" Long (ASTM A325, TYPE 1) 2 Washers and a Heavy Hex Nut on each Bolt. Nut to be Finger Tight and the First Thread below the nut to be damaged A.O.B.E.. 4 Bolts at Each Splice.

**SPLICE TUBE - FIXED**

Vermont Agency of Transportation  
**RECEIVED**

CK'D BY FDB OK'D BY CB

July 9, 2015

RESUBMIT No Approved

BY Carolyn Carlson DATE 07/13/15

SHEET 7 OF 7

ITEM #: 621.725

STRUCTURAL STEEL TO COMPLY W/ ASTM A6

TOLERANCE UNLESS OTHERWISE NOTED:  
FRACTIONS = ± 1/16"  
ANGLES = ± 1/2"  
DIAMETERS = ± 1/32"

**GUARD RAIL TO BRIDGE RAIL TRANSITION DETAILS SHEET**

ROUTE VT 15 (MINOR ARTERIAL), BRIDGE # 83  
TOWN OF WALDEN, COUNTY OF CALEDONIA, VT.

R	NO.	DATE	DESCRIPTION	BY	R	NO.	DATE	DESCRIPTION	BY
E					E				
V					V				

DRAWN	E.P.	2/20/15
CHECKED	D.L.	
APPROVED		
SCALE	SCHEMATIC	
DRAWING NO. F.R. LAFAYETTE-WALDEN		

**ELDERLEE, INC.**  
OAKS CORNERS, NEW YORK 14518  
E-Mail: [dlong@elderlee.com](mailto:dlong@elderlee.com) / [epesk@elderlee.com](mailto:epesk@elderlee.com)  
Tel: 315-789-6670 Fax: 315-789-6615